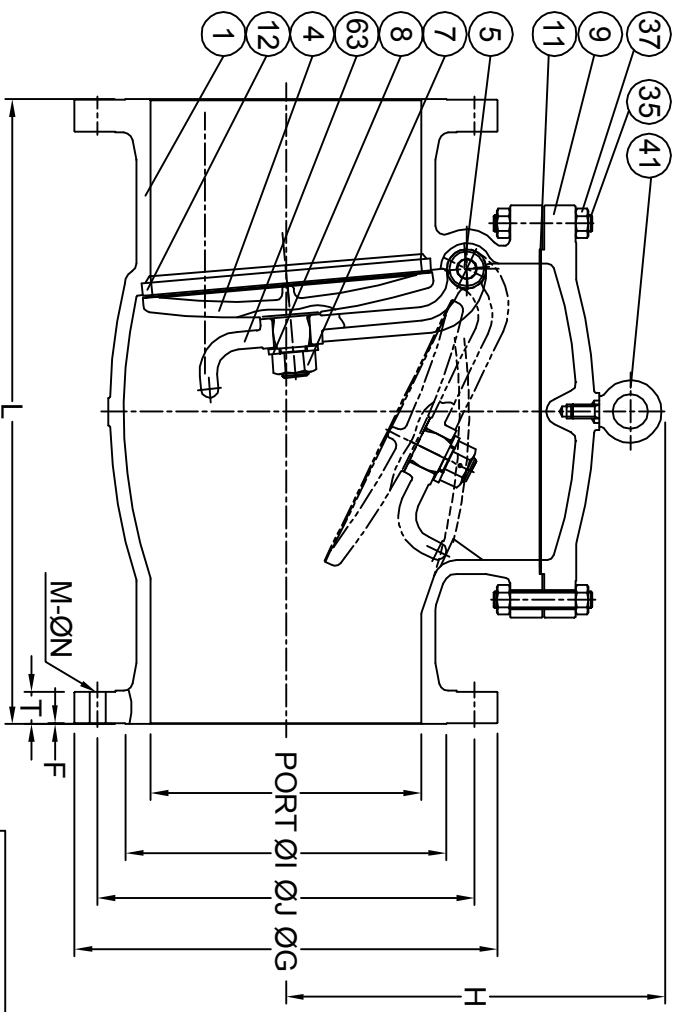


TRIM8



MATERIALS LIST

NO.	PART NAME	MATERIAL
1	BODY	ASTM A216 Gr.WCB
2	PLUG	ASTM A276 Gr.410
3	PLUG SEAL	ASTM A276 Gr.410
4	DISC	ASTM A105/A216 Gr.WCB+13Cr
5	PIN	ASTM A276 Gr.410
7	DISC NUT	ASTM A276 Gr.410
8	DISC WASHER	ASTM A276 Gr.410
9	BONNET	ASTM A216 Gr.WCB
11	GASKET	304+FLEXIBLE GRAPHITE
12	SEAT RING	ASTM A105+STL#6
35	BOLT	ASTM A193 Gr.B7
37	NUT	ASTM A194 Gr.2H
41	SNAP RING	ASTM A29 Gr.1035
63	HINGE	ASTM A216 Gr.WCB

DIMENSIONS

SIZE	PORT	L	H	ØG	ØJ	ØI	T	F	M	ØN	
DN50	2"	50.8	267.0	158.0	165.1	127.0	92.1	23.0	1.6	8	19.0
DN65	2-1/2"	63.5	167.0	167.0	190.5	149.4	104.8	25.5	1.6	8	22.0
DN80	3"	76.2	318.0	188.0	209.6	168.1	127.0	29.0	1.6	8	22.0
DN100	4"	101.6	356.0	259.0	254.0	200.2	157.2	32.0	1.6	8	22.0
DN150	6"	152.4	444.0	319.0	317.5	269.7	215.9	37.0	1.6	12	22.0
DN200	8"	203.2	533.0	401.0	381.0	330.2	269.9	42.0	1.6	12	25.4
DN250	10"	254.0	622.0	483.0	444.5	387.4	323.8	48.0	1.6	16	28.6
DN300	12"	304.8	711.0	555.0	520.7	450.9	381.0	51.0	1.6	16	31.8
DN350	14"	336.6	838.0	579.0	585.0	514.4	412.8	54.0	1.6	20	31.8
DN400	16"	387.4	864.0	615.0	647.7	571.5	469.9	58.0	1.6	20	35.0
DN450	18"	431.8	978.0	643.0	711.2	628.7	533.4	61.0	1.6	24	35.0

unit:mm

CODE	D-014	APPROVED BY:	T.H.KUO	CHECK BY:	DATE	06/10/2010	DRAWN BY:	BLUE	DATE	06/10/2010	DRAWING NO.	SF-300-D014	MATERIAL LIST	UNIT	mm	DESCRIPTION	CARBON STEEL SWING CHECK VALVES FLANGED END, ANSI CLASS 300
	MODENTIC																
	INDUSTRIAL CORPORATION																

