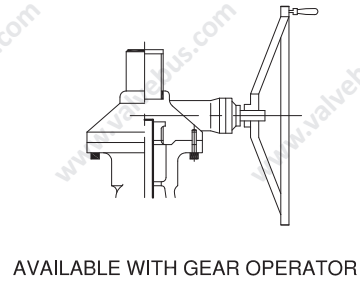


Fig No: **GBF-10K**

MATERIALS LIST

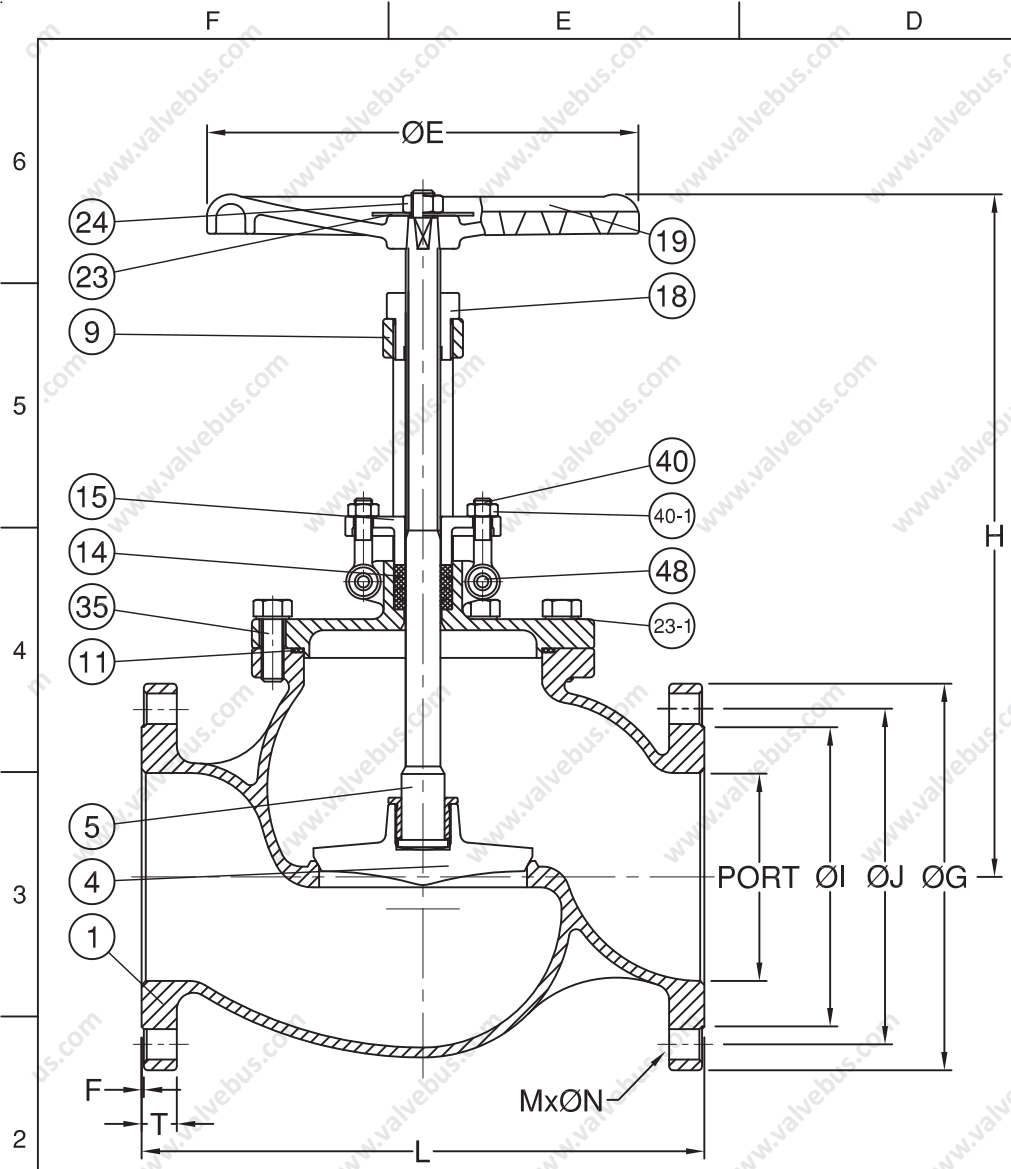
NO.	PART NAME	MATERIAL
1	BODY	SCS14
4	DISC	SS316
5	STEM	SS316
9	BONNET	SCS14
11	GASKET	PTFE.
14	STEM PACKING	SPIRAL WOUND /GRAPHITE/PTFE
15	GLAND	ASTM A351 Gr.CF8
18	YOKE SLEEVE	BRONZE
19	HANDWHEEL	DUCTILE IRON
23	H.W. WASHER	SS304
23-1	SPRING WASHER	ASTM A193 Gr.B8
24	HANDWHEEL NUT	ASTM A194 Gr.8
35	BONNET BOLT	ASTM A193 Gr.B8
40	EYE BOLT	ASTM A193 Gr.B8
40-1	EYE BOLT NUT	ASTM A194 Gr.8
48	EYE BOLT PIN	SS304



DIMENSIONS

unit:mm

SIZE	PORT	L	ØE	H(OPEN)	ØG	ØJ	ØI	T	F	M	ØN
DN15	1/2"	15	108	190	95	70	52	12	1	4	15
DN20	3/4"	20	117	195	100	75	58	14	1	4	15
DN25	1"	25	127	208	125	90	70	14	1	4	19
DN40	1-1/2"	40	165	260	140	105	85	16	2	4	19
DN50	2"	50	203	275	155	120	100	16	2	4	19
DN65	2-1/2"	65	216	320	175	140	120	18	2	4	19
DN80	3"	80	241	360	185	150	130	18	2	8	19
DN100	4"	100	292	415	210	175	155	18	2	8	19
DN125	5"	125	356	510	250	210	185	20	2	8	23
DN150	6"	150	406	535	280	240	215	22	2	8	23
DN200	8"	200	495	600	330	290	265	22	2	12	23
DN250	10"	250	622	718	400	355	325	24	2	12	25
DN300	12"	300	698	800	445	400	370	24	3	16	25
DN350	14"	350	787	900	490	445	415	26	3	16	25
DN400	16"	400	864	1000	560	510	475	28	3	16	27



FLANGE DIMENSION: JIS B2238
FACE TO FACE: JIS B2002

CODE	C-031	APPROVED BY.	CHECK BY.	DRAWN BY.	DRAWING NO.	MATERIAL	UNIT	DESCRIPTION
	SIGN	TONY	SHANA	SHANA	GBF-10K-C031	MATERIALS LIST	mm	STAINLESS STEEL GLOBE VALVE, FLANGED END, JIS 10K
	DATE	06/03/2008	06/03/2008	06/03/2008	REVISION	01	SCALE	