

Fig No. V-123 **Reduced Bore**
1/4" ~ 2" DN8 ~ 50

Features :

One Piece body design, Length according to DIN 3202 M3
Investment cast Component, Blow-out-proof Stem
For Industrial, chemical application
Carbon Steel & Super Alloy upon request

Standard Compliance :

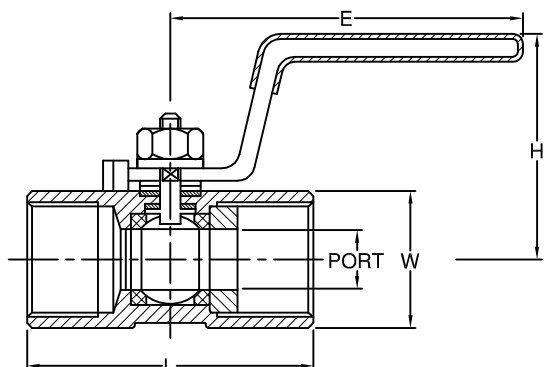
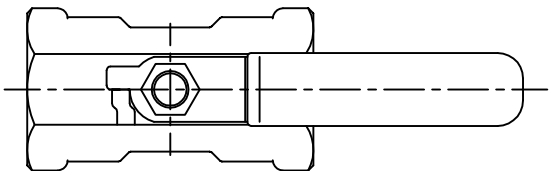
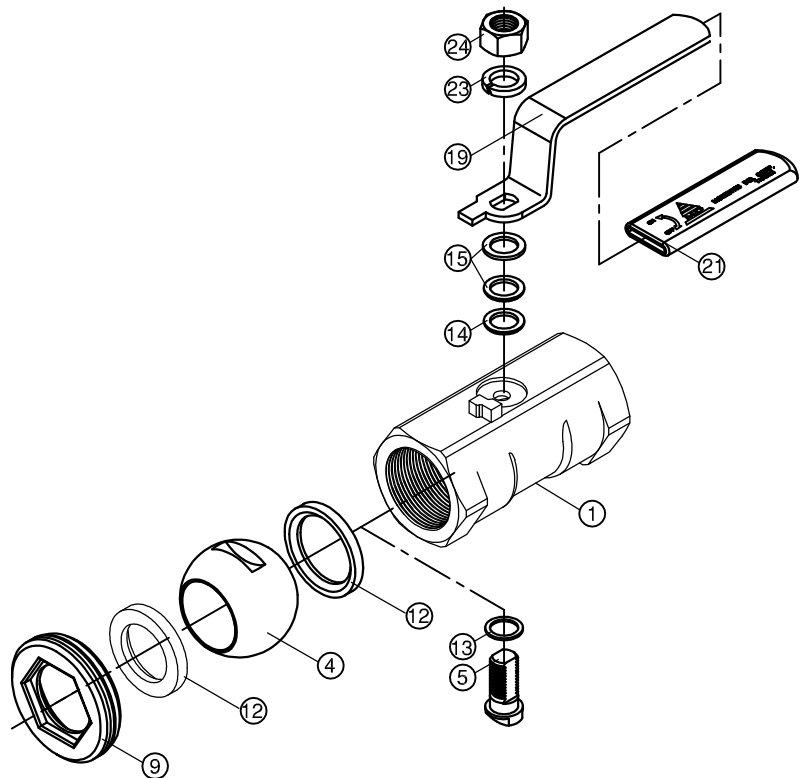
Body wall thickness : EN 12516-1/3
Threaded end : BS 21 (BSP)
BSPT
ISO 228-1
DIN 2999
ISO7-1Rp
Face to Face : DIN 3202 M3
Body Material : EN 1503-1
Pressure Testing : EN12266

Specification

End Connection : Threaded end
Working Pressure : 38.8 Bar (RT)
Temperature : -20 ~ 180^o C

MATERIALS LIST

NO.	PART NAME	MATERIAL
1	BODY	1.4408/EN1503-1
4	BALL	ASTM A351 Gr.CF8M
5	STEM	SS316
9	INSERT	1.4408/EN1503-1
12	SEAT	PTFE.
13	THRUST WASHER	PTFE.
14	STEM PACKING	PTFE.
15	GLAND WASHER	SS304
19	HANDLE	SS304
21	HANDLE COVER	PLASTIC
23	SPRING WASHER	SS304
24	HANDLE NUT	SS304



DIMENSIONS

SIZE		PORT	L	E	H	W
DN8	1/4"	5.0	50.0	70.3	47.0	17.0
DN10	3/8"	7.2	60.0	68.7	49.0	21.0
DN15	1/2"	9.2	75.0	95.5	54.5	25.0
DN20	3/4"	12.5	80.0	95.5	58.0	32.0
DN25	1"	15.0	90.0	110.5	63.0	38.0
DN32	1-1/4"	20.0	110.0	110.5	69.0	48.0
DN40	1-1/2"	25.0	120.0	130.5	71.5	53.0
DN50	2"	32.0	140.0	130.5	77.0	64.0