



V-255EB

High Purity Ball Valve

1000 PSI / Tube Bore
ASME BPE SF1 ~ SF4
1/2" ~ 2" (DN15 ~ DN50)



FEATURES

- Investment Cast Body Construction
- 3 Pieces Body Design
- ISO 5211 Mounting Flange
- Sulphur between 0.005% ~ 0.017%
- Ferrite content less than 3%
- Available for Cavity Filled Seat or Non-Cavity Filled Seat
- Blow-Out-Proof Stem Design
- Certified by U.S. Pharmacopeia Testing (USP) and Food and Drug Administration (FDA)
- Available for Pneumatic or Electric Actuator

AUTOMATION AVAILABLE

SPECIFICATIONS

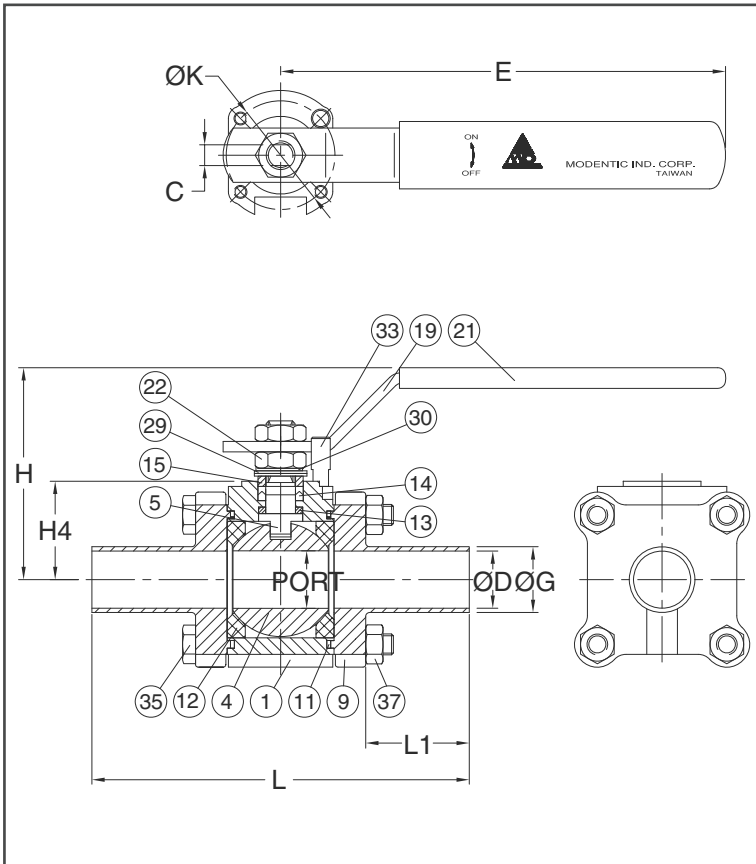
- Size Range 1/2" ~ 2" (DN15 ~ DN50)
- End Connection TUBE Ends
- Working Pressure 1000PSI (CWP) for 1/2" ~ 2"
- Temperature Range -70 to 356 °F (-57 to 180 °C) for TFM1600

STANDARDS

- Design ASME BPE
- End ASME BPE
- Face to Face Manufacturer Standard
- Material ASTM
- Pressure Testing API 598

CERTIFICATE

- Quality Assurance ISO 9001
- Material Certificate EN 10204-3.1 MTR
- CE Approval PED 97/23/EC Module H
- Canadian Certificate CRN



MATERIAL LIST			DIMENSION											
NO.	PART NAME	MATERIAL (more options available)	unit : mm											
			SIZE	PORT	L	L1	E	H	H4	C	ØK	ØD	ØG	
1	BODY	ASTM A351 Gr.CF3M	DN15	1/2"	9.4	125.5	40.0	132.8	67.6	30.0	6.5	36 / F03	9.4	12.7
4	BALL	ASTM A351 Gr.CF3M	DN20	3/4"	15.8	134.4	40.0	132.8	73.8	34.0	6.5	36 / F03	15.8	19.1
5	STEM	ASTM A276 Gr.316L	DN25	1"	22.1	145.7	40.0	171.8	81.9	38.0	8.0	42 / F04	22.1	25.4
9	END CAP	ASTM A351 Gr.CF3M	DN40	1-1/2"	34.8	165.3	40.0	204.2	97.5	48.8	9.7	50 / F05	34.8	38.1
11	BODY SEAL	TFM1600	DN50	2"	47.6	181.0	40.0	204.2	115.0	71.0	9.7	50 / F05	47.5	50.8
12	SEAT	TFM1600												
13	THRUST WASHER	TFM1600												
14	STEM PACKING	TFM1600												
15	GLAND BUSH	SS304												
19	HANDLE	SS304												
21	HANDLE COVER	PLASTIC												
22	STEM NUT	SS304												
24	HANDLE NUT	SS304												
28	LOCKING DEVICE	SS304												
29	BELLEVILLE WASHER	SS301												
30	TAB WASHER	SS304												
33	STOP PIN	SS304												
35	BODY BOLT	SS304												
37	BOLT NUT	SS304												

			DIMENSION											
			unit : inch											
			SIZE	PORT	L	L1	E	H	H4	C	ØK	ØD	ØG	
			DN15	1/2"	0.37	4.94	1.57	5.23	2.66	1.18	0.26	1.42 / F03	0.37	0.50
			DN20	3/4"	0.62	5.29	1.57	5.23	2.91	1.34	0.26	1.42 / F03	0.62	0.75
			DN25	1"	0.87	5.74	1.57	6.76	3.22	1.50	0.31	1.65 / F04	0.87	1.00
			DN40	1-1/2"	1.37	6.51	1.57	8.04	3.84	1.92	0.38	1.97 / F05	1.37	1.50
			DN50	2"	1.87	7.13	1.57	8.04	4.53	2.80	0.38	1.97 / F05	1.87	2.00