

**Fig No: NV-0062**

1/4"~ 1" DN8 ~ DN25



**Features :**

Investment cast component  
Provide Bubble-tight shut off for liquid and gas  
Metal to metal design,  
Fire safe design as an option

**Standard Compliance :**

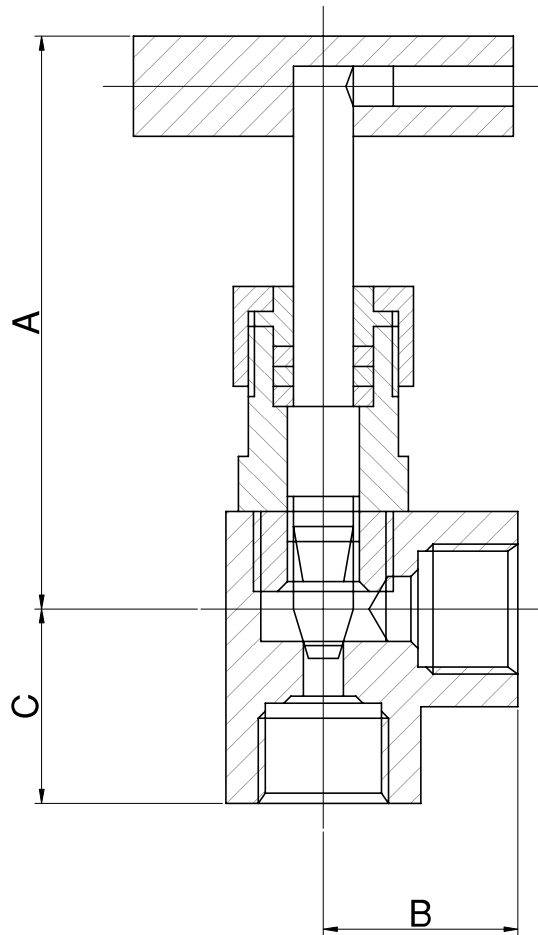
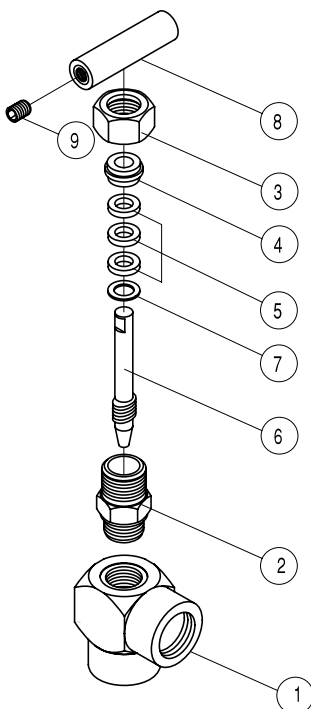
Ball wall thickness : EN 12516-1/3  
Threaded end : BS 21 ( BSP )  
BSPT  
ISO 228-1  
DIN 2999  
ISO 7-1Rp  
Face to Face : MFG's standard  
Body material : EN 1503-1

**Specification :**

End Connection : Threaded end  
Working pressure : PN 420 bar ( CWP )  
Temperature : -20 ~ 180°C

**MATERIAL LIST**

NO	PARTS NAME	MATERIAL
1	BODY	CF8M/Pr EN1503-2
2	BONNET	CF8M/Pr EN1503-2
3	GLAND NUT	SS 304
4	GLAND	SS 304
5	PACKING	PTFE
6	STEM	SS316
7	WASHER	SS316
8	HANDLE	SS 410
9	SET SCREW	SS 304



**DIMENSIONS**

UNIT : mm

SIZE	A	B	C
DN8	1/4"	75.0	29.0
DN10	3/8"	75.0	29.0
DN15	1/2"	87.0	34.0
DN20	3/4"	90.0	38.0
DN25	1"	103.0	45.0