

FEATURES

- Investment Cast Body Construction
- 2 Pieces Body Design
- ISO 5211 Mounting Flange
- Blow-Out-Proof Stem & Anti-Static Device Design
- Available for 15°、30°、45°、60°、90°、Slotted V-Ball
- Available for Pneumatic or Electric Actuator
- NACE MR0175 is available upon request
- Super Alloy materials for highly corrosive medium are available upon request

AUTOMATION AVAILABLE

SPECIFICATIONS

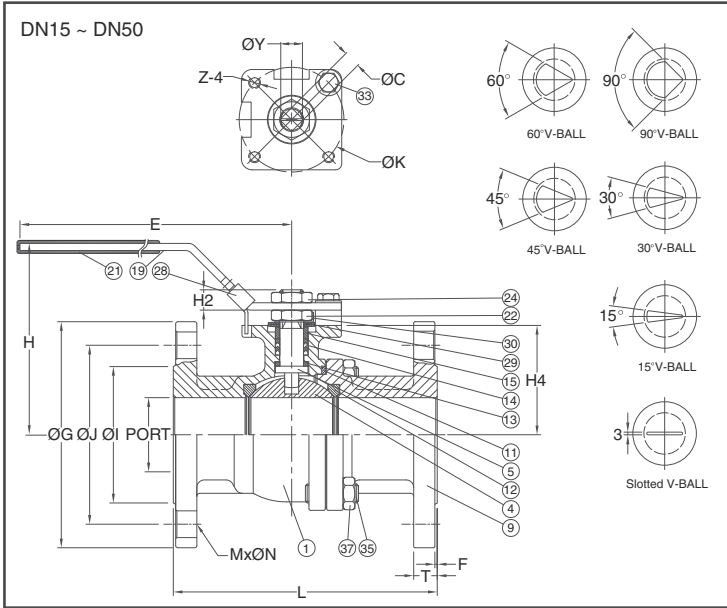
- Size Range DN15 ~ DN150 (1/2" ~ 6")
- End Connection Flanged End, RF
- Working Pressure 1.4408 PN40 - 38.8 Bar at RT
1.0619 PN40 - 39.0 Bar at RT
- Steam Pressure 150 PSIG. Saturated Steam for RTFE.
- Temperature Range -4 to 356 °F (-20 to 180 °C) for RTFE.

STANDARDS

- Design EN 12516-1/2
- Mounting Flange ISO 5211
- Face to Face DN15 ~ DN100 - DIN 3202 F4
DN125 ~ DN150 - DIN 3202 F5
- Flange Dimension PN40 EN1092-1
- Material EN1503-1
- Pressure Testing EN 12266

CERTIFICATE

- Fire Safe **OPTION** API 607 Fire Safe Design
- Quality Assurance ISO 9001
- Material Certificate EN 10204-3.1 MTR
- CE Approval PED 97/23/EC Module H



MATERIAL LIST

| NO. | PART NAME | MATERIAL (more options available) | |
|-----|-------------------|--|-------------------|
| 1 | BODY | 1.4408 / EN1503-1 | 1.0619 / EN1503-1 |
| 4 | BALL | ASTM A351 Gr.CF8M | |
| 5 | STEM | ASTM A276 Gr.SS316 | |
| 9 | END CAP | 1.4408 / EN1503-1 | 1.0619 / EN1503-1 |
| 11 | BODY SEAL | PTFE. | |
| 12 | SEAT | RTFE. (15%G.F.) | |
| 13 | THRUST WASHER | PTFE. | |
| 14 | STEM PACKING | PTFE. | |
| 15 | GLAND BUSH | SS304 | |
| 19 | HANDLE | SS304 | |
| 21 | HANDLE COVER | PLASTIC | |
| 22 | STEM NUT | SS304 | |
| 24 | HANDLE NUT | SS304 | |
| 28 | LOCKING DEVICE | SS304 | |
| 29 | BELLEVILLE WASHER | SUS301 | |
| 30 | TAB WASHER | SS304 | |
| 33 | STOP PIN | SS304 | |
| 35 | STUD | ASTM A193 Gr.B8 | ASTM A193 Gr.B7 |
| 37 | BOLT NUT | ASTM A194 Gr.8 | ASTM A194 Gr.2H |

DIMENSION

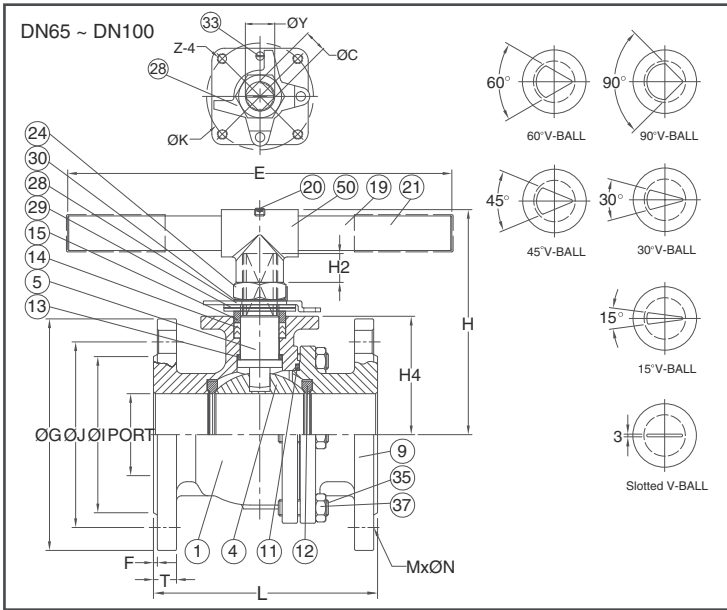
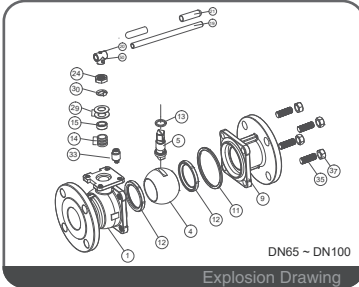
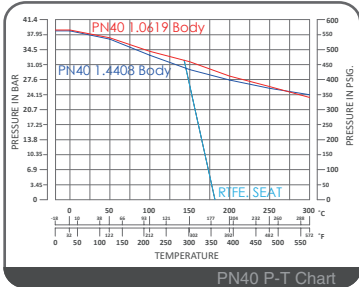
unit : mm

| SIZE | PORT | L | E | H | H2 | H4 | C | ØY | ØG | ØJ | ØI | T | F | MxØN | ØK | Z-4 |
|------|--------|------|-----|-----|-------|------|------|------|------|-------|-------|-------|------|------|------|----------|
| DN15 | 1/2" | 15.0 | 115 | 132 | 80.0 | 8.5 | 38.5 | 9.0 | 11.2 | 95.0 | 65.0 | 45.0 | 16.0 | 2.0 | 4x14 | M5x0.8P |
| DN20 | 3/4" | 20.0 | 120 | 132 | 84.5 | 8.5 | 42.5 | 9.0 | 11.2 | 105.0 | 75.0 | 58.0 | 18.0 | 2.0 | 4x14 | M5x0.8P |
| DN25 | 1" | 25.0 | 125 | 166 | 102.0 | 12.0 | 52.0 | 11.0 | 14.3 | 115.0 | 85.0 | 68.0 | 18.0 | 2.0 | 4x14 | M6x1.0P |
| DN32 | 1-1/4" | 32.0 | 130 | 166 | 105.0 | 12.0 | 56.0 | 11.0 | 14.3 | 140.0 | 100.0 | 78.0 | 18.0 | 2.0 | 4x18 | M6x1.0P |
| DN40 | 1-1/2" | 38.0 | 140 | 198 | 125.0 | 12.0 | 65.3 | 14.0 | 18.0 | 150.0 | 110.0 | 88.0 | 18.0 | 2.0 | 4x18 | M8x1.25P |
| DN50 | 2" | 50.0 | 150 | 198 | 132.0 | 12.0 | 73.8 | 14.0 | 18.0 | 165.0 | 125.0 | 102.0 | 20.0 | 2.0 | 4x18 | M8x1.25P |

DIMENSION

unit : inch

| SIZE | PORT | L | E | H | H2 | H4 | C | ØY | ØG | ØJ | ØI | T | F | MxØN | ØK | Z-4 | |
|------|--------|------|------|------|------|------|------|------|------|------|------|------|------|------|--------|----------|----------|
| DN15 | 1/2" | 0.59 | 4.53 | 5.20 | 3.15 | 0.33 | 1.52 | 0.35 | 0.44 | 3.74 | 2.56 | 1.77 | 0.63 | 0.08 | 4x0.55 | 1.65/F04 | M5x0.8P |
| DN20 | 3/4" | 0.79 | 4.72 | 5.20 | 3.33 | 0.33 | 1.67 | 0.35 | 0.44 | 4.13 | 2.95 | 2.28 | 0.71 | 0.08 | 4x0.55 | 1.65/F04 | M5x0.8P |
| DN25 | 1" | 0.98 | 4.92 | 6.54 | 4.02 | 0.47 | 2.05 | 0.43 | 0.56 | 4.53 | 3.35 | 2.68 | 0.71 | 0.08 | 4x0.55 | 1.97/F05 | M6x1.0P |
| DN32 | 1-1/4" | 1.26 | 5.12 | 6.54 | 4.13 | 0.47 | 2.20 | 0.43 | 0.56 | 5.51 | 3.94 | 3.07 | 0.71 | 0.08 | 4x0.71 | 1.97/F05 | M6x1.0P |
| DN40 | 1-1/2" | 1.50 | 5.51 | 7.80 | 4.92 | 0.47 | 2.57 | 0.55 | 0.71 | 5.91 | 4.33 | 3.46 | 0.71 | 0.08 | 4x0.71 | 2.76/F07 | M8x1.25P |
| DN50 | 2" | 1.97 | 5.91 | 7.80 | 5.20 | 0.47 | 2.91 | 0.55 | 0.71 | 6.50 | 4.92 | 4.02 | 0.79 | 0.08 | 4x0.71 | 2.76/F07 | M8x1.25P |



FEATURES

- Investment Cast Body Construction
- 2 Pieces Body Design
- ISO 5211 Mounting Flange
- Blow-Out-Proof Stem & Anti-Static Device Design
- Available for 15°、30°、45°、60°、90°、Slotted V-Ball
- Available for Pneumatic or Electric Actuator
- NACE MR0175 is available upon request
- Super Alloy materials for highly corrosive medium are available upon request

AUTOMATION AVAILABLE

SPECIFICATIONS

- Size Range DN15 ~ DN150 (1/2" ~ 6")
- End Connection Flanged End, RF
- Working Pressure 1.4408 PN40 - 38.8 Bar at RT
1.0619 PN40 - 39.0 Bar at RT
- Steam Pressure 150 PSIG. Saturated Steam for RTFE.
- Temperature Range -4 to 356 °F (-20 to 180 °C) for RTFE.

STANDARDS

- Design EN 12516-1/2
- Mounting Flange ISO 5211
- Face to Face DN15 ~ DN100 - DIN 3202 F4
DN125 ~ DN150 - DIN 3202 F5
- Flange Dimension PN40 EN1092-1
- Material EN1503-1
- Pressure Testing EN 12266

CERTIFICATE

- Fire Safe **OPTION** API 607 Fire Safe Design
- Quality Assurance ISO 9001
- Material Certificate EN 10204-3.1 MTR
- CE Approval PED 97/23/EC Module H

MATERIAL LIST

| NO. | PART NAME | MATERIAL (more options available) | |
|-----|-------------------|--|-------------------|
| 1 | BODY | 1.4408 / EN1503-1 | 1.0619 / EN1503-1 |
| 4 | BALL | ASTM A351 Gr.CF8M | |
| 5 | STEM | ASTM A276 Gr.SS316 | |
| 9 | END CAP | 1.4408 / EN1503-1 | 1.0619 / EN1503-1 |
| 11 | BODY SEAL | PTFE. | |
| 12 | SEAT | RTFE.(15%G.F.) | |
| 13 | THRUST WASHER | PTFE. | |
| 14 | STEM PACKING | PTFE. | |
| 15 | GLAND BUSH | SS304 | |
| 19 | HANDLE | IRON | |
| 20 | HANDLE BOLT | SS304 | |
| 21 | HANDLE COVER | PLASTIC | |
| 24 | HANDLE NUT | SS304 | |
| 28 | STOP PLATE | SS304 | |
| 29 | BELLEVILLE WASHER | SUS301 | |
| 30 | TAB WASHER | SS304 | |
| 33 | STOP PIN | SS304 | |
| 35 | BODY BOLT | ASTM A193 Gr.B8 | ASTM A193 Gr.B7 |
| 37 | BOLT NUT | ASTM A194 Gr.8 | ASTM A194 Gr.2H |
| 50 | HANDLE ADAPTER | ASTM A351 Gr.CF8 | |

DIMENSION

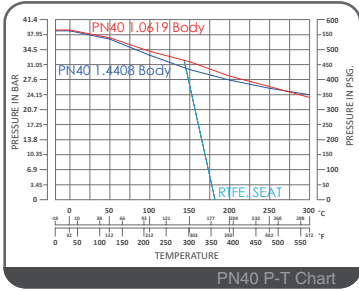
unit : mm

| SIZE | PORT | L | E | H | H2 | H4 | C | ØY | ØG | ØJ | ØI | T | F | MxØN | ØK | Z-4 | |
|-------|--------|-------|-----|-----|-----|----|-------|----|------|-------|-------|-------|------|------|------|---------|----------|
| DN65 | 2-1/2" | 64.0 | 170 | 300 | 178 | 23 | 92.5 | 17 | 22.3 | 185.0 | 145.0 | 122.0 | 22.0 | 2.0 | 8x18 | 102/F10 | M10x1.5P |
| DN80 | 3" | 76.0 | 180 | 300 | 188 | 23 | 101.7 | 17 | 22.3 | 200.0 | 160.0 | 138.0 | 24.0 | 2.0 | 8x18 | 102/F10 | M10x1.5P |
| DN100 | 4" | 100.0 | 190 | 450 | 202 | 23 | 119.0 | 17 | 22.3 | 235.0 | 190.0 | 158.0 | 24.0 | 2.0 | 8x22 | 102/F10 | M10x1.5P |

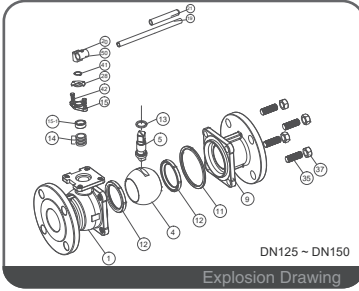
DIMENSION

unit : inch

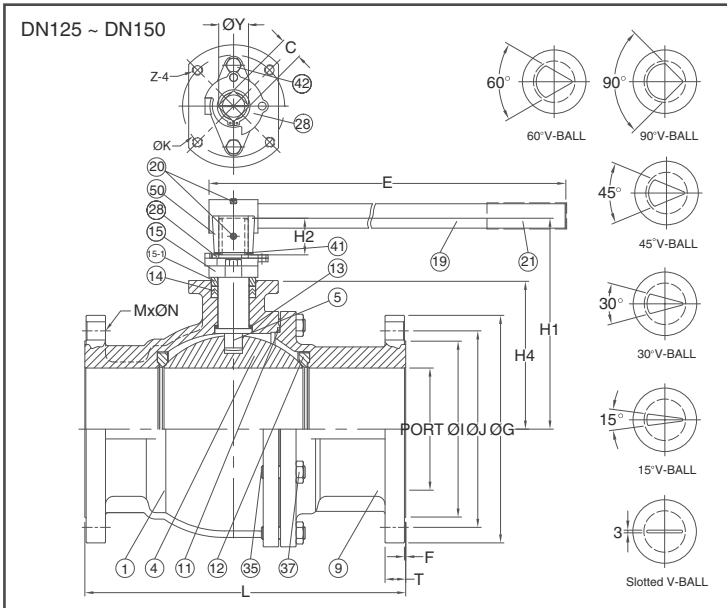
| SIZE | PORT | L | E | H | H2 | H4 | C | ØY | ØG | ØJ | ØI | T | F | MxØN | ØK | Z-4 | |
|-------|--------|------|------|-------|------|------|------|------|------|------|------|------|------|------|--------|----------|----------|
| DN65 | 2-1/2" | 2.52 | 6.69 | 11.81 | 7.01 | 0.91 | 3.64 | 0.67 | 0.88 | 7.28 | 5.71 | 4.80 | 0.87 | 0.08 | 8x0.71 | 4.02/F10 | M10x1.5P |
| DN80 | 3" | 2.99 | 7.09 | 11.81 | 7.40 | 0.91 | 4.00 | 0.67 | 0.88 | 7.87 | 6.30 | 5.43 | 0.94 | 0.08 | 8x0.71 | 4.02/F10 | M10x1.5P |
| DN100 | 4" | 3.94 | 7.48 | 17.72 | 7.95 | 0.91 | 4.69 | 0.67 | 0.88 | 9.25 | 7.48 | 6.22 | 0.94 | 0.08 | 8x0.87 | 4.02/F10 | M10x1.5P |



PN40 P-T Chart



Explosion Drawing



FEATURES

- Investment Cast Body Construction
- 2 Pieces Body Design
- ISO 5211 Mounting Flange
- Blow-Out-Proof Stem & Anti-Static Device Design
- Available for 15°、30°、45°、60°、90°、Slotted V-Ball
- Available for Pneumatic or Electric Actuator
- NACE MR0175 is available upon request
- Super Alloy materials for highly corrosive medium are available upon request

AUTOMATION AVAILABLE

SPECIFICATIONS

- Size Range DN15 ~ DN150 (1/2" ~ 6")
- End Connection Flanged End, RF
- Working Pressure 1.4408 PN40 - 38.8 Bar at RT
1.0619 PN40 - 39.0 Bar at RT
- Steam Pressure 150 PSIG. Saturated Steam for RTFE.
- Temperature Range -4 to 356 °F (-20 to 180 °C) for RTFE.

STANDARDS

- Design EN 12516-1/2
- Mounting Flange ISO 5211
- Face to Face DN15 ~ DN100 - DIN 3202 F4
DN125 ~ DN150 - DIN 3202 F5
- Flange Dimension PN40 EN1092-1
- Material EN1503-1
- Pressure Testing EN 12266

CERTIFICATE

- Fire Safe **OPTION** API 607 Fire Safe Design
- Quality Assurance ISO 9001
- Material Certificate EN 10204-3.1 MTR
- CE Approval PED 97/23/EC Module H

MATERIAL LIST

| NO. | PART NAME | MATERIAL (more options available) | |
|------|----------------|--|-------------------|
| 1 | BODY | 1.4408 / EN1503-1 | 1.0619 / EN1503-1 |
| 4 | BALL | ASTM A351 Gr.CF8M | |
| 5 | STEM | ASTM A276 Gr.SS316 | |
| 9 | END CAP | 1.4408 / EN1503-1 | 1.0619 / EN1503-1 |
| 11 | BODY SEAL | PTFE. | |
| 12 | SEAT | RTFE.(15%G.F.) | |
| 13 | THRUST WASHER | PTFE. | |
| 14 | STEM PACKING | PTFE. | |
| 15 | GLAND | ASTM A351Gr.CF8 | |
| 15-1 | GLAND BUSH | SS304 | |
| 19 | HANDLE | IRON | |
| 20 | SET BOLT | SS304 | |
| 21 | HANDLE COVER | PLASTIC | |
| 28 | STOP PLATE | SS304 | |
| 35 | BODY BOLT | ASTM A193 Gr.B8 | |
| 37 | BOLT NUT | ASTM A194 Gr.8 | |
| 41 | SNAP RING | SS304 | ASTM A193 Gr.B7 |
| 42 | GLAND BOLT | SS304 | ASTM A194 Gr.2H |
| 50 | HANDLE ADAPTER | ASTM A351 Gr.CF8 | |

DIMENSION

unit : mm

| SIZE | PORT | L | E | H1 | H2 | H4 | C | ØY | ØG | ØJ | ØI | T | F | MxØN | ØK | Z-4 | |
|-------|------|-----|-----|-----|-----|----|-------|----|----|-----|-----|-----|------|------|------|---------|-----------|
| DN125 | 5" | 125 | 325 | 600 | 233 | 45 | 163.0 | 23 | 36 | 270 | 220 | 188 | 26.0 | 2.0 | 8x26 | 125/F12 | M12x1.75P |
| DN150 | 6" | 150 | 350 | 800 | 259 | 45 | 182.5 | 23 | 36 | 300 | 250 | 218 | 28.0 | 2.0 | 8x26 | 125/F12 | M12x1.75P |

DIMENSION

unit : inch

| SIZE | PORT | L | E | H1 | H2 | H4 | C | ØY | ØG | ØJ | ØI | T | F | MxØN | ØK | Z-4 | |
|-------|------|------|-------|-------|-------|------|------|------|------|-------|------|------|------|------|--------|----------|-----------|
| DN125 | 5" | 4.92 | 12.80 | 23.62 | 9.17 | 1.77 | 6.42 | 0.91 | 1.42 | 10.63 | 8.66 | 7.40 | 1.02 | 0.08 | 8x1.02 | 4.92/F12 | M12x1.75P |
| DN150 | 6" | 5.91 | 13.78 | 31.50 | 10.20 | 1.77 | 7.19 | 0.91 | 1.42 | 11.81 | 9.84 | 8.58 | 1.02 | 0.08 | 8x1.02 | 4.92/F12 | M12x1.75P |