

**Fig No. V-123**     **Reduced Bore**  
**1/4" ~ 2"    DN8 ~ 50**

**Features :**

One Piece body design, Length according to DIN 3202 M3  
Investment cast Component, Blow-out-proof Stem  
For Industrial, chemical application  
Carbon Steel & Super Alloy upon request

**Standard Compliance :**

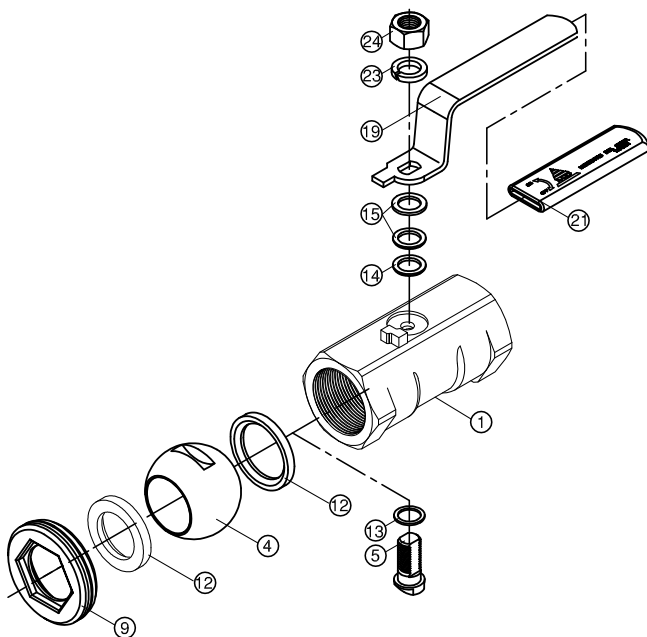
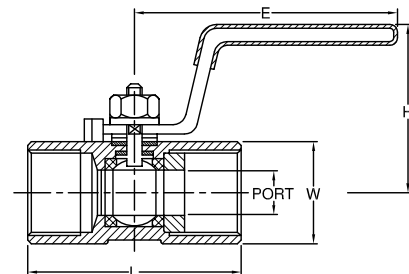
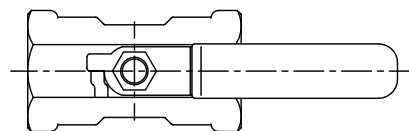
Body wall thickness : EN 12516-1/3  
Threaded end : BS 21 ( BSP )  
                          BSPT  
                          ISO 228-1  
                          DIN 2999  
                          ISO7-1Rp  
Face to Face : DIN 3202 M3  
Body Material : EN 1503-1  
Pressure Testing : EN12266

**Specification**

End Connection : Threaded end  
Working Pressure : 38.8 Bar ( RT ) / 1000 PSI  
Temperature : -20 ~ 180<sup>0</sup> C

**MATERIALS LIST**

NO.	PART NAME	MATERIAL
1	BODY	ASTM A351 Gr.CF8M
4	BALL	ASTM A351 Gr.CF8M
5	STEM	SS316
9	INSERT CAP	ASTM A351 Gr.CF8M
12	SEAT	PTFE.
13	THRUST WASHER	PTFE.
14	STEM PACKING	PTFE.
15	GLAND WASHER	SS304
19	HANDLE	SS304
21	HANDLE COVER	VINYL GRIP
23	SPRING WASHER	SS304
24	HANDLE NUT	SS304



**DIMENSIONS**

unit:mm

SIZE	PORT	L	E	H	W	
DN8	1/4"	5.0	50.0	70.3	47.0	17.0
DN10	3/8"	7.2	60.0	68.7	49.0	21.0
DN15	1/2"	9.2	75.0	95.5	54.5	25.0
DN20	3/4"	12.5	80.0	95.5	58.0	32.0
DN25	1"	15.0	90.0	110.5	63.0	38.0
DN32	1-1/4"	20.0	110.0	110.5	69.0	48.0
DN40	1-1/2"	25.0	120.0	130.5	71.5	53.0
DN50	2"	32.0	140.0	130.5	77.0	64.0

unit:inch

SIZE	PORT	L	E	H	W	
DN8	1/4"	0.2	1.97	2.77	1.85	0.67
DN10	3/8"	0.28	2.36	2.7	1.93	0.83
DN15	1/2"	0.36	2.95	3.76	2.15	0.98
DN20	3/4"	0.49	3.15	3.76	2.28	1.26
DN25	1"	0.59	3.54	4.35	2.48	1.5
DN32	1-1/4"	0.79	4.33	4.35	2.72	1.89
DN40	1-1/2"	0.98	4.72	5.14	2.81	2.09
DN50	2"	1.26	5.51	5.14	3.03	2.52