

FEATURES

- Investment Cast Body Construction
- 3 Way Flanged Ball Valve
- 4 Pieces of Seats Design
- ISO 5211 Direct Mounting Flange for DN15 ~ DN80
ISO 5211 Mounting Flange for DN100 ~ DN150
- Blow-Out-Proof Stem Design
- Available for either T-Port or L-Port
- Locking Device **OPTION**
- NACE MR0175 is available upon request
- Super Alloy materials for highly corrosive medium are available upon request

AUTOMATION AVAILABLE

SPECIFICATIONS

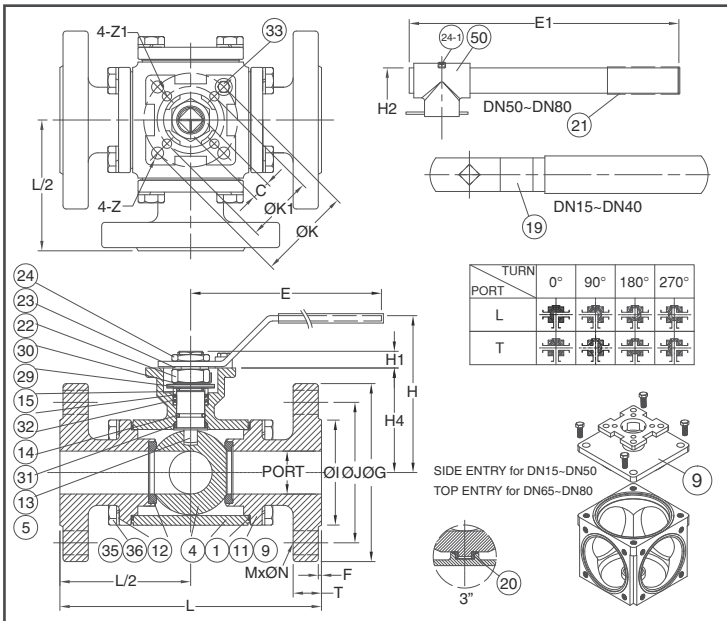
- Size Range DN15 ~ DN150 (1/2" ~ 6")
- End Connection Flanged End, RF
- Working Pressure
 - 1.4408 PN40 - 38.8 Bar at RT
 - 1.0619 PN40 - 39.0 Bar at RT
 - 1.4408 PN16 - 15.5 Bar at RT
 - 1.0619 PN16 - 15.6 Bar at RT
- Steam Pressure 150 PSIG. Saturated Steam for RTFE.
- Temperature Range -4 to 356 °F (-20 to 180 °C) for RTFE.

STANDARDS

- Design EN 12516-1/2/3
- Mounting Flange ISO 5211
- Face to Face MFG Standard
- Flange Dimension
 - PN40 EN1092-1 for DN15 ~ DN50
 - PN16 EN1092-1 for DN65 ~ DN150
- Material EN1503-1
- Pressure Testing EN 12266

CERTIFICATE

- Quality Assurance ISO 9001
- Material Certificate EN 10204-3.1 MTR
- CE Approval PED 97/23/EC Module H



MATERIAL LIST

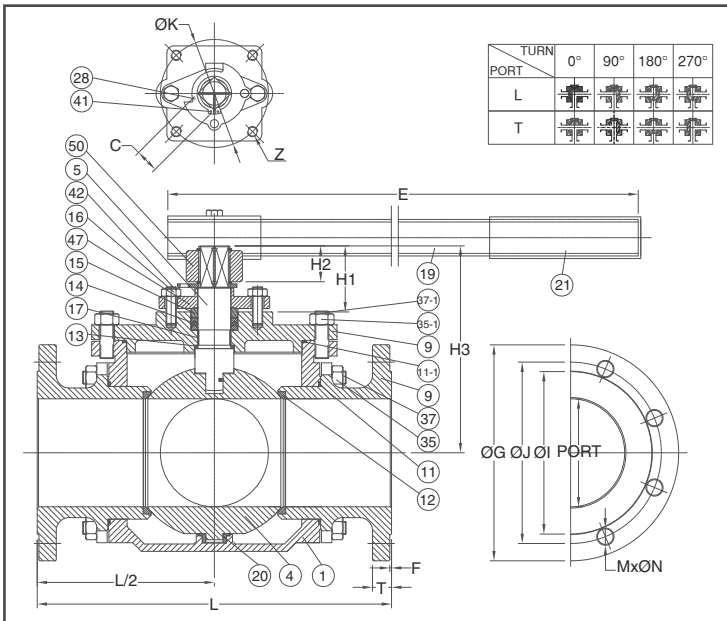
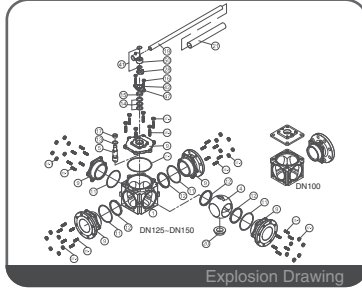
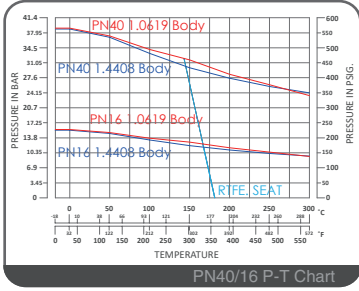
NO.	PART NAME	MATERIAL (more options available)
1	BODY	EN1503-1 1.4408 EN1503-1 1.0619
4	BALL	ASTM A351 Gr.CF8M
5	STEM	ASTM A276 Gr.316
9	END/TOP CAP	EN1503-1 1.4408 EN1503-1 1.0619
11	BODY SEAL	PTFE.
12	SEAT	RTFE.(15%G.F.)
13	THRUST WASHER	RTFE.(15%G.F.)
14	STEM PACKING	RTFE.(15%G.F.)
15	GLAND	SS304
19	HANDLE	SS304
20	BUSHING	PTFE.
21	HANDLE COVER	PLASTIC
22	STEM NUT	SS304
23	HANDLE WASHER	SS304
24	HANDLE NUT	SS304
24-1	HANDLE NUT	SS304
29	BELLEVILLE WASHER	SS301
30	TAB WASHER	SS304
31	O-RING	VITON®
32	PACKING FOLLOWER	PTFE.+25%G.F.
33	STOP PIN	SS304
35	BODY BOLT	SS304
36	BOLT WASHER	SS304
40	ADAPTER	ASTM A351 Gr.CF8

DIMENSION

														unit : mm				
SIZE	PORT	L	E/E1	H/H2	H1	H4	ØG	ØJ	ØI	ØK	ØK1	Z	Z1	C	T	F	MxØN	
DN15	1/2"	16.0	158.0	186.5	89.0	9.0	47.8	95	65	45	42/F04	6	9	16	2	2	4xØ14	
DN20	3/4"	20.0	169.0	218.0	98.0	11.0	58.2	105	75	58	50/F05	7	11	18	2	2	4xØ14	
DN25	1"	25.0	185.0	218.0	102.0	11.5	64.0	115	85	68	50/F05	7	11	18	2	2	4xØ14	
DN32	1-1/4"	32.0	195.0	235.0	118.5	15.2	79.0	140	100	78	70/F07	50/F05	9	7	14	18	2	4xØ18
DN40	1-1/2"	38.0	232.0	235.0	127.0	14.3	88.5	150	110	88	70/F07	50/F05	9	7	14	18	2	4xØ18
DN50	2"	50.0	253.0	400.0	161.4	17.8	105.8	165	125	102	102/F10	70/F07	11	9	17	20	2	4xØ18
DN65	2-1/2"	65.0	270.0	400.0	172.8	17.5	117.3	185	145	122	102/F10	70/F07	11	9	17	18	2	4xØ18
DN80	3"	76.0	292.2	400.0	180.4	17.5	128.0	200	160	138	102/F10	70/F07	11	9	17	20	2	4xØ18

DIMENSION

														unit : inch				
SIZE	PORT	L	E/E1	H/H2	H1	H4	ØG	ØJ	ØI	ØK	ØK1	Z	Z1	C	T	F	MxØN	
DN15	1/2"	0.62	6.22	7.34	3.50	0.35	1.88	3.74	2.55	1.77	1.65/F04	0.23	0.35	0.62	0.07	0.07	4xØ0.55	
DN20	3/4"	0.78	6.65	8.58	3.85	0.43	2.29	4.13	2.95	2.28	1.96/F05	0.27	0.43	0.70	0.07	0.07	4xØ0.55	
DN25	1"	0.98	7.28	8.58	4.01	0.45	2.51	4.52	3.34	2.67	1.96/F05	0.27	0.43	0.70	0.07	0.07	4xØ0.55	
DN32	1-1/4"	1.25	7.67	9.25	4.66	0.59	3.11	5.51	3.93	3.07	2.75/F07	1.96/F05	0.35	0.27	0.55	0.70	0.07	4xØ0.70
DN40	1-1/2"	1.49	9.13	9.25	5.00	0.56	3.48	5.90	4.33	3.46	2.75/F07	1.96/F05	0.35	0.27	0.55	0.70	0.07	4xØ0.70
DN50	2"	1.96	9.96	15.74	6.35	0.70	4.16	6.49	4.92	4.01	4.01/F10	2.75/F07	0.43	0.35	0.66	0.78	0.07	4xØ0.70
DN65	2-1/2"	2.55	10.62	15.74	6.80	0.68	4.61	7.28	5.70	4.80	4.01/F10	2.75/F07	0.43	0.35	0.66	0.70	0.07	4xØ0.70
DN80	3"	2.99	11.50	15.74	7.10	0.68	5.03	7.87	6.29	5.43	4.01/F10	2.75/F07	0.43	0.35	0.66	0.78	0.07	4xØ0.70



FEATURES

- Investment Cast Body Construction
- 3 Way Flanged Ball Valve
- 4 Pieces of Seats Design
- ISO 5211 Direct Mounting Flange for DN15 ~ DN80
ISO 5211 Mounting Flange for DN100 ~ DN150
- Blow-Out-Proof Stem Design
- Available for either T-Port or L-Port
- Locking Device **OPTION**
- NACE MR0175 is available upon request
- Super Alloy materials for highly corrosive medium are available upon request

AUTOMATION AVAILABLE

SPECIFICATIONS

- Size Range DN15 ~ DN150 (1/2" ~ 6")
- End Connection Flanged End, RF
- Working Pressure
 - 1.4408 PN40 - 38.8 Bar at RT
 - 1.0619 PN40 - 39.0 Bar at RT
 - 1.4408 PN16 - 15.5 Bar at RT
 - 1.0619 PN16 - 15.6 Bar at RT
- Steam Pressure 150 PSIG. Saturated Steam for RTFE.
- Temperature Range -4 to 356 °F (-20 to 180 °C) for RTFE.

STANDARDS

- Design EN 12516-1/2/3
- Mounting Flange ISO 5211
- Face to Face MFG Standard
- Flange Dimension
 - PN40 EN1092-1 for DN15 ~ DN50
 - PN16 EN1092-1 for DN65 ~ DN150
- Material EN1503-1
- Pressure Testing EN 12266

CERTIFICATE

- Quality Assurance ISO 9001
- Material Certificate EN 10204-3.1 MTR
- CE Approval PED 97/23/EC Module H

MATERIAL LIST

NO.	PART NAME	MATERIAL (more options available)
1	BODY	EN1503-1 1.4408 EN1503-1 1.0619
4	BALL	ASTM A351 Gr.CF8M
5	STEM	ASTM A276 Gr.316
9	END/TOP CAP	EN1503-1 1.4408 EN1503-1 1.0619
11	BODY SEAL	PTFE
11-1	TOP SEAL	PTFE
12	SEAT	RTFE.(15%G.F.)
13	THRUST WASHER	RTFE.(15%G.F.)
14	STEM PACKING	RTFE.(15%G.F.)
15	GLAND BUSH	SS304
16	GLAND NUT	SS304
17	STEM BUSH	SS304
19	HANDLE	SS304
20	BUSHING	PTFE
21	HANDLE COVER	PLASTIC
28	STOP PLATE	SS304
35	BODY BOLT	SS304
35-1	BODY BOLT	SS304
37	BOLT NUT	SS304
37-1	BOLT NUT	SS304
41	SNAP RING	SS304
42	GLAND BOLT	SS304
47	GLAND FLANGE	ASTM A351 Gr.CF8
50	ADAPTER	ASTM A351 Gr.CF8

DIMENSION

unit : mm

SIZE	PORT	L	E	H1	H2	H3	ØG	ØJ	ØI	ØK	Z	C	T	F	MxØN	
DN100	4"	100	360	600	70.0	33.0	193	220	180	158	125/F12	M12x1.75P	27	20	2	8xØ18
DN125	5"	125	416	600	70.0	33.0	233	250	210	188	125/F12	M12x1.75P	27	22	2	8xØ18
DN150	6"	150	473	800	77.5	43.5	266	285	240	212	140/F14	M16x2.0P	36	22	2	8xØ22

DIMENSION

unit : inch

SIZE	PORT	L	E	H1	H2	H3	ØG	ØJ	ØI	ØK	Z	C	T	F	MxØN	
DN100	4"	3.93	14.17	23.62	2.75	1.29	7.59	8.66	7.08	6.22	4.92/F12	M12x1.75P	1.06	0.78	0.07	8xØ0.70
DN125	5"	4.92	16.37	23.62	2.75	1.29	9.17	9.84	8.26	7.40	4.92/F12	M12x1.75P	1.06	0.86	0.07	8xØ0.70
DN150	6"	5.90	18.62	31.49	3.05	1.71	10.47	11.22	9.44	8.34	5.51/F14	M16x2.0P	1.41	0.86	0.07	8xØ0.86