

Fig No. MD-57D Full Bore
1/2" ~ 4" DN15 ~ DN100



Feature :

- Investment Casting Component
- ISO 5211 direct mounting
- Blow-out-proof stem, Anti-Static Design
- For General Chemical and Industrial application
- Carbon steel or Super Alloy upon request

Standard Compliance:

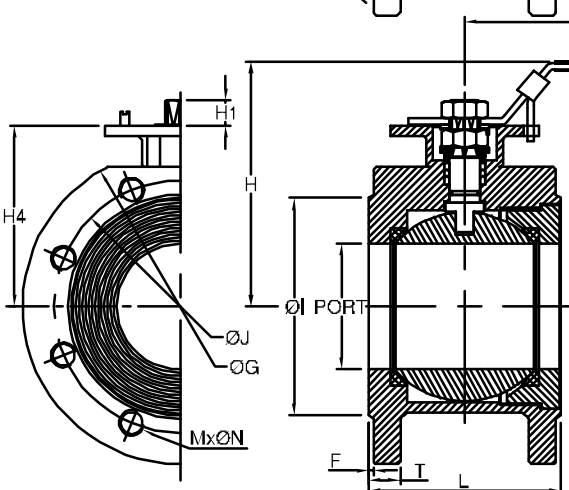
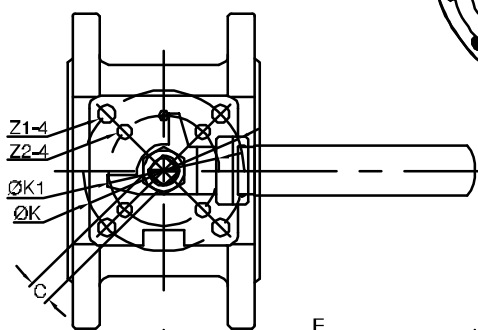
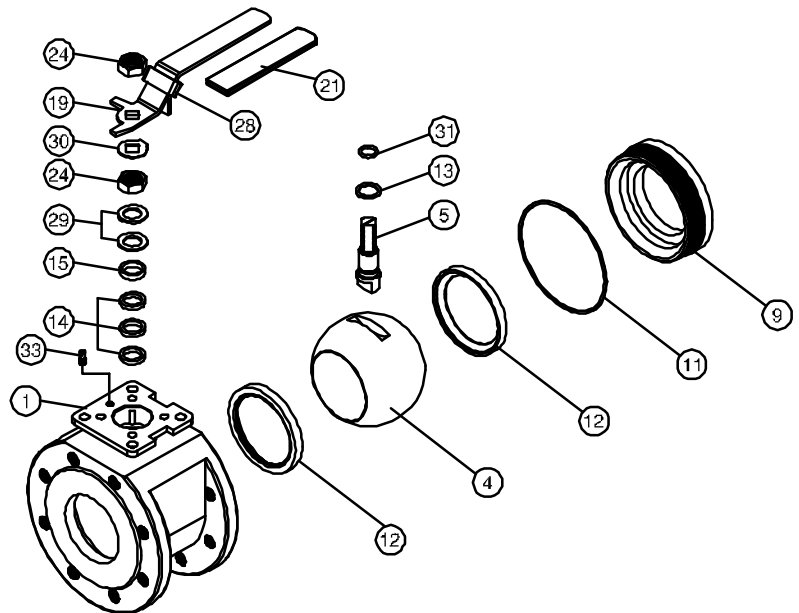
- Body wall thickness : EN 12516-1/3
- Face to Face : MFG's standard
- Flange Dimension : DIN 2501 PN16
- Body Material : EN 10213-4
- Pressure testing : EN12266

Standard Compliance:

- End connection : Flange RF
- Working pressure : 15.5 Bar (CWP)
- Temperature : -20 ~ 180°C

MATERIAL LIST

NO.	PART NAME	MATERIAL
1	BODY	1.4408 / EN1503-1
4	BALL	CF8M / EN1503-2
5	STEM	SS316
9	INSERT CAP	1.4408 / EN1503-1
11	BODY SEAL	PTFE.
12	SEAT	PTFE.
13	THRUST WASHER	PTFE.
14	STEM PACKING	PTFE.
15	GLAND BUSHING	SS304
19	HANDLE	SS304
21	HANDLE COVER	PVC
24	HANDLE NUT	SS304
28	LOCKING PAD	SS304
29	BELLEVILLE WASHER	SS301
30	TAB WASHER	SS304
31	STEM O-RING	VITON
33	STOP PIN	SS304



DIMENSION

SIZE	PORT	L	E	H	H1	H4	C	ØG	ØJ	ØI	T	F	MxØN	ØK	ØK1	Z1-4	Z2-4	
DN15	1/2"	15.0	42.0	101.0	88.5	9.0	52.0	7.0	95.0	65.0	45.0	16.0	2.0	4xM12-P1.75	40.0	30.0	6.0	6.0
DN20	3/4"	20.0	44.0	101.0	93.6	9.0	57.0	7.0	105.0	75.0	58.0	16.0	2.0	4xM12-P1.75	40.0	30.0	6.0	6.0
DN25	1"	25.0	50.0	111.0	99.5	9.0	62.0	9.0	115.0	85.0	68.0	18.0	2.0	4xM12-P1.75	50.0	40.0	7.0	6.0
DN32	1-1/4"	32.0	64.0	111.0	110.6	9.0	78.0	9.0	140.0	100.0	78.0	18.0	2.0	4xM16-P2.0	50.0	40.0	7.0	6.0
DN40	1-1/2"	38.0	65.0	186.0	121.5	12.0	83.0	11.0	150.0	110.0	83.0	18.0	2.0	4xM16-P2.0	70.0	50.0	9.0	7.0
DN50	2"	50.0	90.0	186.0	131.6	12.0	93.0	11.0	165.0	125.0	102.0	18.0	2.0	4xM16-P2.0	70.0	50.0	9.0	7.0
DN65	2-1/2"	65.0	102.0	196.9	144.5	16.2	105.0	14.0	185.0	145.0	122.0	18.0	2.0	4xM16-P2.0	102.0	70.0	11.0	9.0
DN80	3"	80.0	122.0	196.9	154.6	16.2	115.0	14.0	200.0	160.0	136.0	20.0	3.0	8xM16-P2.0	102.0	70.0	11.0	9.0
DN100	4"	100.0	153.0	265.5	175.5	19.0	133.0	17.0	220.0	180.0	158.0	20.0	3.0	8xM16-P2.0	125.0	120.0	13.0	11.0