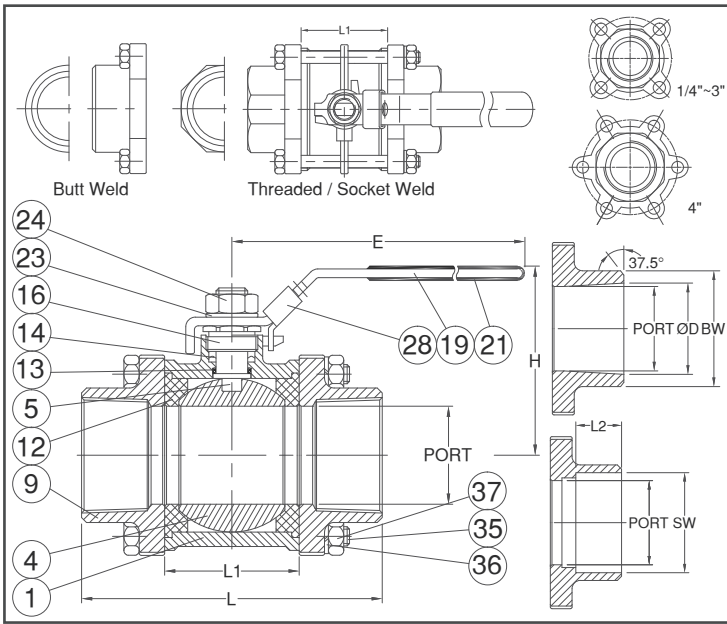
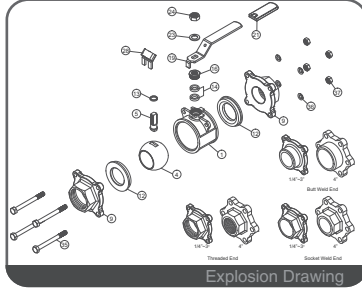
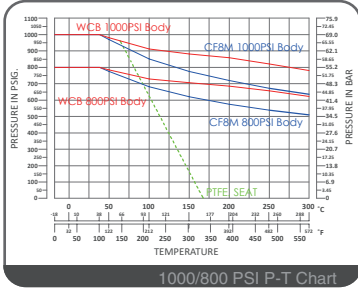


CRN
CERTIFICATED



FEATURES

- Investment Cast Body Construction
- 3 Pieces Body Design
- In-Line Maintenance
- Integral Seat & Body Seal Design
- Blow-Out-Proof Stem Design
- Locking Device **OPTION**
- NACE MR0175 is available upon request
- Super Alloy materials for highly corrosive medium are available upon request

SPECIFICATIONS

- Size Range 1/4" ~ 4" (DN8 ~ DN100)
- End Connection Threaded / Socket / Butt Weld Ends
- Working Pressure 1000PSI (CWP) for 1/4" ~ 2"
800PSI (CWP) for 2-1/2" ~ 4"
- Steam Pressure 150 PSIG. Saturated Steam for PTFE.
- Temperature Range -4 to 320 °F (-20 to 160 °C) for PTFE.

STANDARDS

- Design EN-12516-1/2/3
- Threaded End NPT/ BS 21 (BSP) / BSPT / ISO 228-1 / DIN 2999 / ISO 7-1Rp
- Socket Weld End ASME/ANSI B16.11
- Butt Weld End ASME/ANSI B16.25
- Face to Face MFG / DIN 3202 M3/S13 **OPTION**
- Material ASTM
- Pressure Testing API 598

CERTIFICATE

- Quality Assurance ISO 9001
- Material Certificate EN 10204-3.1 MTR
- CE Approval PED 2014/68/EU Module H
- Canadian Certificate CRN

MATERIAL LIST

| NO. | PART NAME | MATERIAL (more options available) |
|-----|----------------|--|
| 1 | BODY | ASTM A351 Gr.CF8M ASTM A216 Gr.WCB |
| 4 | BALL | ASTM A351 Gr.CF8M |
| 5 | STEM | ASTM A276 Gr.316 |
| 9 | END CAP | ASTM A351 Gr.CF8M ASTM A216 Gr.WCB |
| 12 | SEAT | PTFE. |
| 13 | THRUST WASHER | PTFE. |
| 14 | STEM PACKING | PTFE. |
| 16 | GLAND NUT | SS304 |
| 19 | HANDLE | SS304 |
| 21 | HANDLE COVER | PLASTIC |
| 23 | HANDLE WASHER | SS304 |
| 24 | HANDLE NUT | SS304 |
| 28 | LOCKING DEVICE | SS304 (OPTION) |
| 35 | BODY BOLT | SS304 |
| 36 | BOLT WASHER | SS304 |
| 37 | BOLT NUT | SS304 |

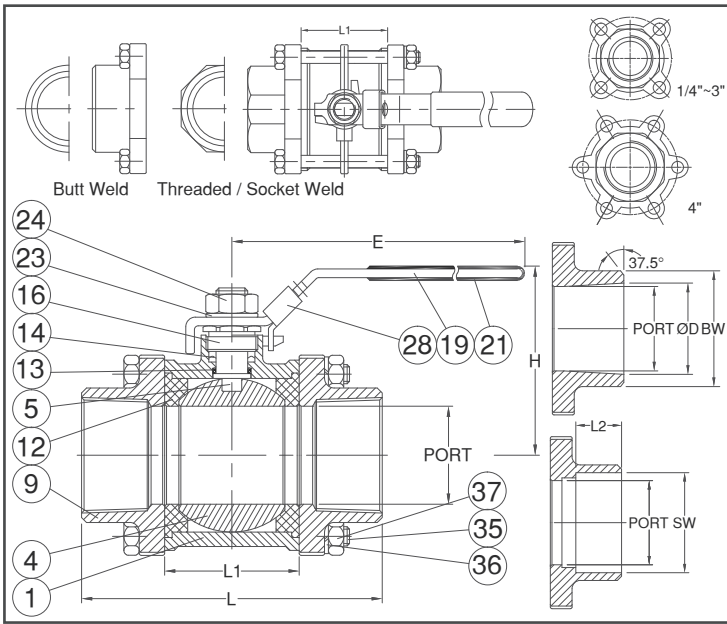
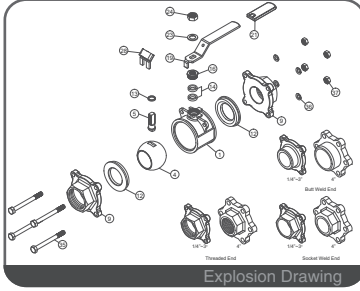
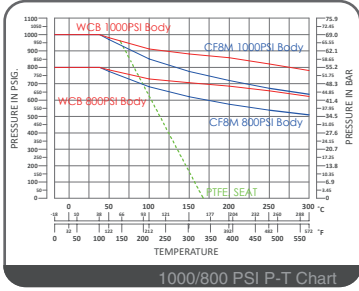
DIMENSION

| SIZE | PORT | unit : mm | | | | | | | | | |
|------|--------|-----------|------|-------|------|-------|------|----|------|------|------|
| | | TH/SW | BW | L | L1 | E | H | L2 | SW | ØD | BW |
| DN8 | 1/4" | 11.5 | 11.0 | 54.0 | 19.0 | 97.4 | 49.0 | 10 | 14.2 | 11.0 | 13.7 |
| DN10 | 3/8" | 12.5 | 12.5 | 54.0 | 19.0 | 97.4 | 49.0 | 10 | 17.5 | 12.5 | 17.1 |
| DN15 | 1/2" | 15.0 | 15.0 | 63.5 | 22.5 | 122.9 | 58.0 | 10 | 21.8 | 15.8 | 21.3 |
| DN20 | 3/4" | 20.0 | 20.0 | 72.5 | 27.5 | 122.9 | 61.0 | 13 | 27.4 | 20.9 | 26.7 |
| DN25 | 1" | 25.0 | 25.0 | 81.0 | 34.0 | 144.9 | 68.0 | 13 | 34.1 | 26.6 | 33.4 |
| DN32 | 1-1/4" | 32.0 | 32.0 | 94.5 | 42.5 | 144.9 | 73.5 | 13 | 42.7 | 35.1 | 42.2 |
| DN40 | 1-1/2" | 38.0 | 38.1 | 108.0 | 52.0 | 188.9 | 84.5 | 13 | 49.0 | 40.9 | 48.3 |
| DN50 | 2" | 50.0 | 50.0 | 121.5 | 63.5 | 188.9 | 93.2 | 16 | 61.0 | 52.5 | 60.3 |

DIMENSION

| SIZE | PORT | unit : inch | | | | | | | | | |
|------|--------|-------------|------|------|------|------|------|------|------|------|------|
| | | TH/SW | BW | L | L1 | E | H | L2 | SW | ØD | BW |
| DN8 | 1/4" | 0.45 | 0.43 | 2.13 | 0.75 | 3.83 | 1.93 | 0.39 | 0.56 | 0.43 | 0.54 |
| DN10 | 3/8" | 0.49 | 0.49 | 2.13 | 0.75 | 3.83 | 1.93 | 0.39 | 0.69 | 0.49 | 0.67 |
| DN15 | 1/2" | 0.59 | 0.59 | 2.50 | 0.89 | 4.84 | 2.28 | 0.39 | 0.86 | 0.62 | 0.84 |
| DN20 | 3/4" | 0.79 | 0.79 | 2.85 | 1.08 | 4.84 | 2.40 | 0.51 | 1.08 | 0.82 | 1.05 |
| DN25 | 1" | 0.98 | 0.98 | 3.19 | 1.34 | 5.70 | 2.68 | 0.51 | 1.34 | 1.05 | 1.31 |
| DN32 | 1-1/4" | 1.26 | 1.26 | 3.72 | 1.67 | 5.70 | 2.89 | 0.51 | 1.68 | 1.38 | 1.66 |
| DN40 | 1-1/2" | 1.50 | 1.50 | 4.25 | 2.05 | 7.44 | 3.33 | 0.51 | 1.93 | 1.61 | 1.90 |
| DN50 | 2" | 1.97 | 1.97 | 4.78 | 2.50 | 7.44 | 3.67 | 0.63 | 2.40 | 2.07 | 2.37 |

CRN
CERTIFICATED



FEATURES

- Investment Cast Body Construction
- 3 Pieces Body Design
- In-Line Maintenance
- Integral Seat & Body Seal Design
- Blow-Out-Proof Stem Design
- Locking Device **OPTION**
- NACE MR0175 is available upon request
- Super Alloy materials for highly corrosive medium are available upon request

SPECIFICATIONS

- Size Range 1/4" ~ 4" (DN8 ~ DN100)
- End Connection Threaded / Socket / Butt Weld Ends
- Working Pressure 1000PSI (CWP) for 1/4" ~ 2"
800PSI (CWP) for 2-1/2" ~ 4"
- Steam Pressure 150 PSIG. Saturated Steam for PTFE.
- Temperature Range -4 to 320 °F (-20 to 160 °C) for PTFE.

STANDARDS

- Design EN-12516-1/2/3
- Threaded End NPT/ BS 21 (BSP) / BSPT / ISO 228-1 / DIN 2999 / ISO 7-1Rp
- Socket Weld End ASME/ANSI B16.11
- Butt Weld End ASME/ANSI B16.25
- Face to Face MFG / DIN 3202 M3/S13 **OPTION**
- Material ASTM
- Pressure Testing API 598

CERTIFICATE

- Quality Assurance ISO 9001
- Material Certificate EN 10204-3.1 MTR
- CE Approval PED 2014/68/EU Module H
- Canadian Certificate CRN

MATERIAL LIST

| NO. | PART NAME | MATERIAL (more options available) |
|-----|----------------|--|
| 1 | BODY | ASTM A351 Gr.CF8M ASTM A216 Gr.WCB |
| 4 | BALL | ASTM A351 Gr.CF8M |
| 5 | STEM | ASTM A276 Gr.316 |
| 9 | END CAP | ASTM A351 Gr.CF8M ASTM A216 Gr.WCB |
| 12 | SEAT | PTFE. |
| 13 | THRUST WASHER | PTFE. |
| 14 | STEM PACKING | PTFE. |
| 16 | GLAND NUT | SS304 |
| 19 | HANDLE | SS304 |
| 21 | HANDLE COVER | PLASTIC |
| 23 | HANDLE WASHER | SS304 |
| 24 | HANDLE NUT | SS304 |
| 28 | LOCKING DEVICE | SS304 (OPTION) |
| 35 | BODY BOLT | SS304 |
| 36 | BOLT WASHER | SS304 |
| 37 | BOLT NUT | SS304 |

DIMENSION

| SIZE | PORT | | L | L1 | E | H | L2 | SW | ØD | BW | |
|-------|--------|-------|-------|-------|-------|-------|-------|----|-------|-------|-------|
| | TH/SW | BW | | | | | | | | | |
| DN65 | 2-1/2" | 65.0 | 62.7 | 157.5 | 85.5 | 255.3 | 131.8 | 16 | 77.0 | 65.0 | 73.0 |
| DN80 | 3" | 80.0 | 77.9 | 190.0 | 102.0 | 260.8 | 140.0 | 16 | 90.2 | 77.9 | 88.9 |
| DN100 | 4" | 100.0 | 100.0 | 225.0 | 128.5 | 322.2 | 173.6 | 22 | 115.3 | 102.3 | 114.3 |

DIMENSION

| SIZE | PORT | | L | L1 | E | H | L2 | SW | ØD | BW | |
|-------|--------|------|------|------|------|-------|------|------|------|------|------|
| | TH/SW | BW | | | | | | | | | |
| DN65 | 2-1/2" | 2.56 | 2.47 | 6.20 | 3.37 | 10.05 | 5.19 | 0.63 | 3.03 | 2.56 | 2.87 |
| DN80 | 3" | 3.15 | 3.07 | 7.48 | 4.02 | 10.27 | 5.51 | 0.63 | 3.55 | 3.07 | 3.50 |
| DN100 | 4" | 3.94 | 3.94 | 8.86 | 5.06 | 12.69 | 6.83 | 0.87 | 4.54 | 4.03 | 4.50 |