



Fig No: MD-63-1500 Reduce Bore

3"x2"~24"x20"



Feature:

- Design: API6D, ASME B16.34, API607/ API6FA fire safe design
- Side entry ball
- Anti-static design, Anti blow-out-stem
- Carbon steel or special alloy upon request
- Cast steel are also supplied in full compliance with NACE MR0175

Service:

General, Low Temperature, Cryogenic, Sub sea, Oil & Gas application, High temperature, Underground

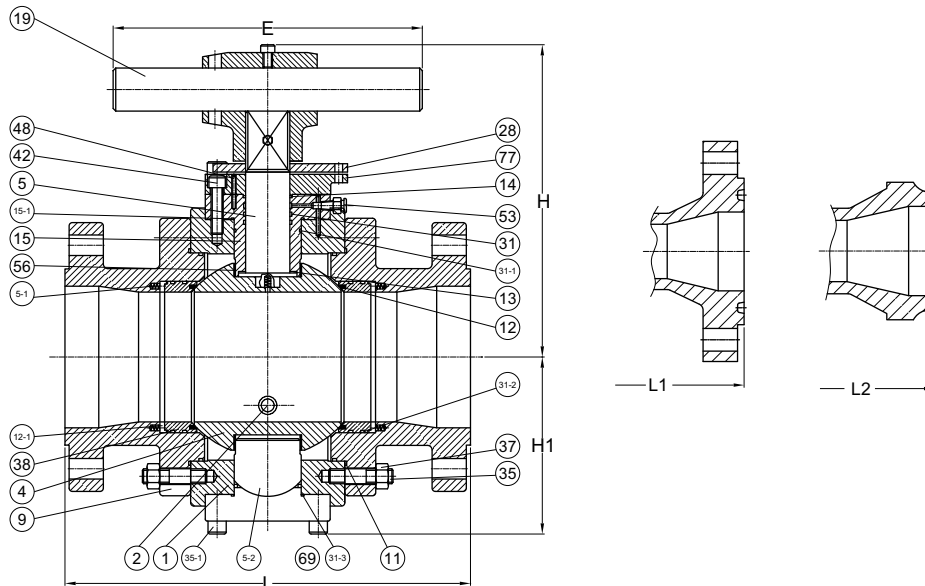
Design:

- 3-pc Design, by forged
- Reduce Bore
- Face to face: ASME B16.10
- Flange connection: ASME B16.5 Class 1500 RF (Above size 26", which would compliance with ASME B16.47)
- Pressure-Temperature Rating: ASME/ANSI B16.34
- Testing and inspection: API6D, API598
- Automatically Drain Plug (NPT) on Body(2"~4" - option, Upward 6" - Basic function)
- Double bleed and Block (2"~4" - option, Upward 6" - Basic function)
- Sealant Emergently Injection Fittings (2"~4" - option, Upward 6" - Basic function)

Options:

- With Locking Device
- Extended Stem (Cryogenic application)
- Actuator installation
- Gear Box

Size:3"x2"~8"x4"



DIMENSIONS(CLASS 150Lb)

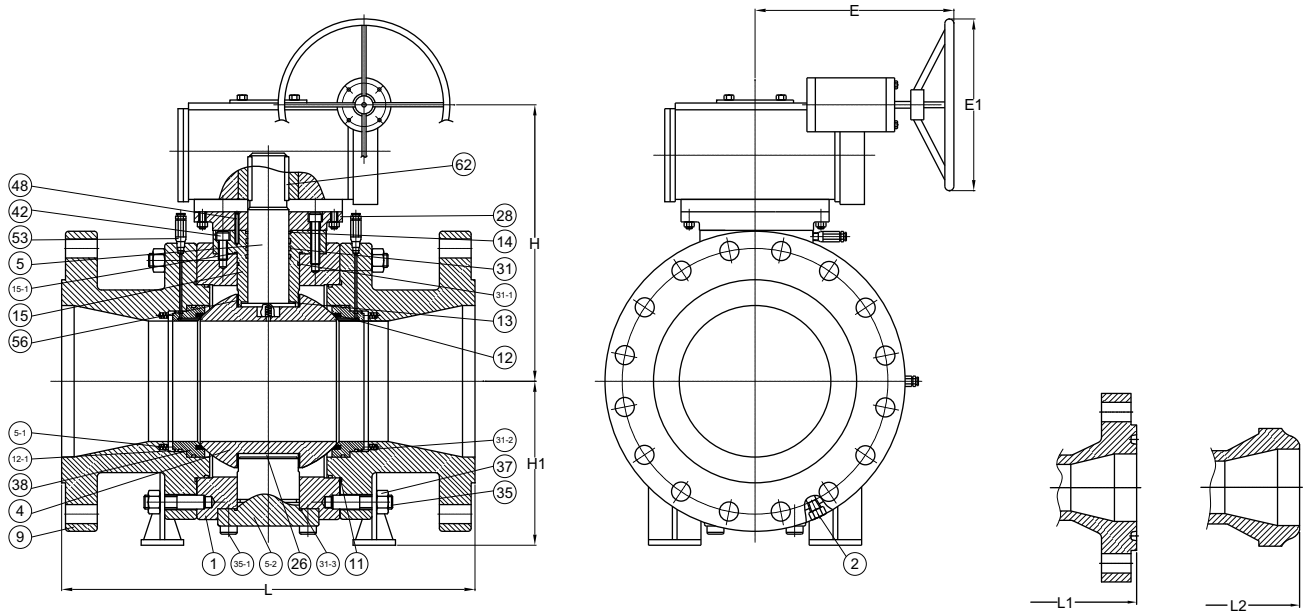
unit:mm

SIZE		L	L1	L2	E	H	H1	Wt (kg)
DN80XDN50	3"X2" ®	470.0	473.0	470.0	800.0	237.0	122.0	71.0
DN80XDN65	3"X2-1/2" ©	470.0	473.0	470.0	900.0	261.0	148.0	90.0
DN100XDN65	4"X2-1/2" ®	546.0	549.0	546.0	900.0	261.0	148.0	109.0
DN100XDN80	4"X3" ©	546.0	549.0	546.0	1000.0	269.0	163.0	124.0
DN150XDN80	6"X3" ®	705.0	711.0	705.0	1000.0	269.0	163.0	221.0
DN150XDN100	6"X4" ©	705.0	711.0	705.0	1000.0	297.0	173.0	296.0
DN200XDN100	8"X4" ®	832.0	841.0	832.0	1000.0	297.0	173.0	360.0



Fig No: MD-63-1500 Reduce Bore

Size:8"x6"~20"x14"



MATERIALS LIST

NO.	DESCRIPTION	MATERIAL
1	BODY	A105,A350-LF2,A182-F304,F316,F304L,F316L,F321,F51,F53
2	DRAIN VALVE AND PLUG	1025,SS304,SS316,SS304L,SS316L,SS321,F51,F53
4	BALL	A105+ENP,A182-F8,F304,F316,F304L,F316L,F321,F51,F53
5	STEM	1045+ENP,A182-F6,F304,F316,F304L,F316L,F321,F51,F53,4140+ENP,17-4PH
9	ADAPTER	A105,A350-LF2,A182-F304,F316,F304L,F316L,F321,F51,F53
11	GASKET	SS304,SS316+FLEXIBLE GRAPHITE SPIRAL WOUND
12	SEAT	PTFE,RTFE,PEEK,PPL,POM,KARBATE,NYLON,MOLON,DEVLON
12-1	SEAT RING	A105+ENP,A182-F8,F304,F316,F304L,F316L,F321,F51,F53
13	THRUST WASHER	PTFE,RTFE,STAINLESS STEEL+N
14	PACKING	FLEXIBLE GRAPHITE
15	STUFFING BOX	A105+ENP,A182-F8,F304,F316,F304L,F316L,F321,F51,F53
15-1	SEALING RING	SS304,SS316+FLEXIBLE GRAPHITE SPIRAL WOUND
28	CONNECTION PLATE	1025,A216 WCB,A351 CF8
31	O-RING	VITON
31-1	O-RING	NBR,VITON
31-2	O-RING	VITON
35	BOLT	A194-B7,B7M,B8,B8M
37	NUT	A194-2H,2HM,8,8M
38	SEALING RING	FLEXIBLE GRAPHITE
42	SCREW	1035,STAINLESS STEEL
48	PIN	ANSI 1566,STAINLESS STEEL
48-1	PIN	1045,STAINLESS STEEL
53	GREASE FITTING	1025,SS304,SS316,SS304L,SS316L,SS321,F51,F53
56	BEARING	1045+RPTFE.,SS304+RPTFFE.,SS316+RPTFE.
62	KEY	1045
69	ADJUSTING RING	PTFE,1045+RPTFE,STAINLESS STEEL+RPTFE
76	BEARING RETAINER	1025,A216-WCB,STAINLESS STEEL
77	SUPPORT LEG	1025



Fig No: MD-63-1500 Reduce Bore

DIMENSIONS(CLASS 1500Lb)

unit:mm

SIZE		L	L1	L2	E	E1	H	H1	Wtl (kg)	Wtll (kg)
DN200XDN150	8"X6" ©	832.0	841.0	832.0	380.0	400.0	305.0	211.0	625.0	595.0
DN250XDN150	10"X6" ®	991.0	1000.0	991.0	380.0	400.0	305.0	211.0	--	--
DN250XDN200	10"X8" ©	991.0	1000.0	991.0	430.0	450.0	365.0	274.0	1037.0	988.0
DN300XDN200	12"X8" ®	1130.0	1146.0	1130.0	430.0	450.0	365.0	274.0	--	--
DN300XDN250	12"X10" ©	1130.0	1146.0	1130.0	510.0	500.0	440.0	310.0	1580.0	1505.0
DN350XDN250	14"X10" ®	1257.0	1276.0	1257.0	510.0	500.0	440.0	310.0	2251.0	2144.0
DN400XDN250	16"X10" ®	1384.0	1407.0	1384.0	510.0	500.0	440.0	310.0	--	--
DN350XDN300	14"X12" ©	1257.0	1276.0	1257.0	510.0	500.0	596.0	485.0	2600.0	2476.0
DN400XDN300	16"X12" ©	1384.0	1407.0	1384.0	510.0	500.0	596.0	485.0	3030.0	2886.0
DN450XDN300	18"X12" ®	1537.0	1559.0	1537.0	530.0	550.0	596.0	485.0	--	--
DN400XDN350	16"X14" ©	1384.0	1407.0	1384.0	530.0	550.0	661.0	510.0	3360.0	3198.0
DN450XDN350	18"X14" ©	1537.0	1559.0	1537.0	530.0	550.0	661.0	510.0	--	--
DN500XDN350	20"X14" ®	1664.0	1686.0	1664.0	530.0	550.0	661.0	510.0	--	--
DN450XDN400	18"X16" ©	1537.0	1559.0	1537.0	530.0	550.0	700.0	540.0	5554.0	5290.0
DN500XDN400	20"X16" ©	1664.0	1686.0	1664.0	530.0	550.0	700.0	540.0	5906.0	5625.0
DN500XDN450	20"X18" ©	1664.0	1686.0	1664.0	--	812.0	783.0	585.0	7521.0	7163.0
DN600XDN500	24"X20" ©	2043.0	2071.0	2043.0	--	914.0	880.0	635.0	10922.0	10402.0

* ® Reduce Bore © Regular Bore

* Modentic Reserves The Rights To Change Any Details Without Prior Notice.