

Fig no. V-Z05EB Tube Bore
1/2" - 4" DN15 ~ DN100



Features:

- Investment casting body
- Blow-out-proof stem
- In-line Maintenance
- For Hygienic application

Standard Compliance :

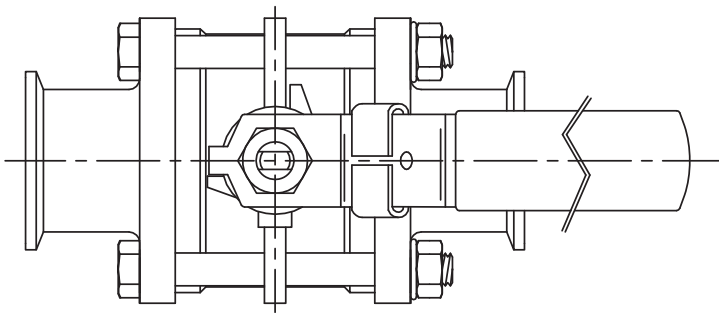
- Body wall thickness : ASTM B16.34
- Tube end : 3A
- Face to face : MD's standard
- Body material : ASTM A351
- Pressure testing : EN 12266/ API 598

Specification :

- End Connection : Tube end
- Working pressure : 1000 psi (PN 63) for DN8- DN 50
800 psi (PN40) for DN 65-DN100
- Temperature : -20 ~ 160°C
- Inter finish-polished to SV1

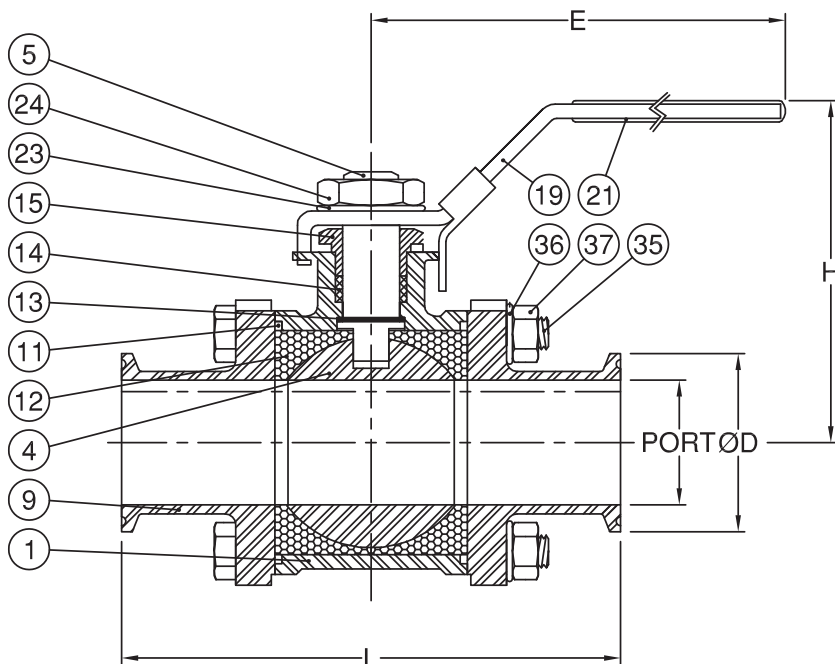
Options:

- Extended Tube end
- Non Cavity filler seat



MATERIALS LIST

NO.	PART NAME	MATERIAL
1	BODY	ASTM A351 Gr.CF8M
4	BALL	ASTM A351 Gr.CF8M
5	STEM	SS316
9	END CAP	ASTM A351 Gr.CF8M
11	BODY SEAL	PTFE.
12	SEAT	PTFE.
13	THRUST WASHER	PTFE.
14	STEM PACKING	PTFE.
15	GLAND	SS304
19	HANDLE	SS304
21	HANDLE COVER	PLASTIC
23	HANDLE WASHER	SS304
24	HANDLE NUT	SS304
35	BODY BOLT	SS304
36	BOLT WASHER	SS304
37	BOLT NUT	SS304



DIMENSIONS

unit:mm

SIZE	PORT	L	L4	E	H	ØD	
DN15	1/2"	9.5	89.0	18.0	106.0	52.0	12.7
DN20	3/4"	15.9	101.0	21.0	106.0	55.0	19.1
DN25	1"	22.2	114.0	25.0	135.0	70.0	25.4
DN40	1-1/2"	35.0	140.0	28.0	182.0	89.0	38.2
DN50	2"	47.6	156.0	25.0	182.0	97.0	50.8
DN65	2-1/2"	60.2	197.0	35.0	263.0	140.0	63.4
DN80	3"	73.0	229.0	43.0	263.0	152.0	76.2
DN100	4"	97.4	241.0	37.0	285.0	184.0	101.6