



Fig No: MD-67-2500 Reduced Bore

3"x2"~12"x10"



Feature:

Design: API6D, ASME B16.34, API607/ API6FA fire safe design
 Side entry ball
 Anti-static design, Anti blow-out-stem
 Carbon steel or special alloy upon request
 Cast steel are also supplied in full compliance with NACE MR0175

Service:

General, Low Temperature, Cryogenic, Sub sea, Oil & Gas application, High temperature, Underground

Design:

2-pc Design, by casting
 Reduce Bore
 Face to face: ASME B16.10
 Flange connection: ASME B16.5 Class 2500 RF (Above size 26", which would compliance with ASME B16.47)
 Pressure-Temperature Rating: ASME/ANSI B16.34
 Testing and inspection: API6D, API598

- Automatically Drain Plug (NPT) on Body(2"~4" - option, Upward 6" - Basic function)
- Double bleed and Block(2"~4" - option, Upward 6" - Basic function)
- Sealant Emergently Injection Fittings(2"~4" - option, Upward 6" - Basic function)

Options:

- With Locking Device
- Extended Stem (Cryogenic application)
- Actuator installation
- Gear Box

Size: 3" x 2" ~8" x 4"

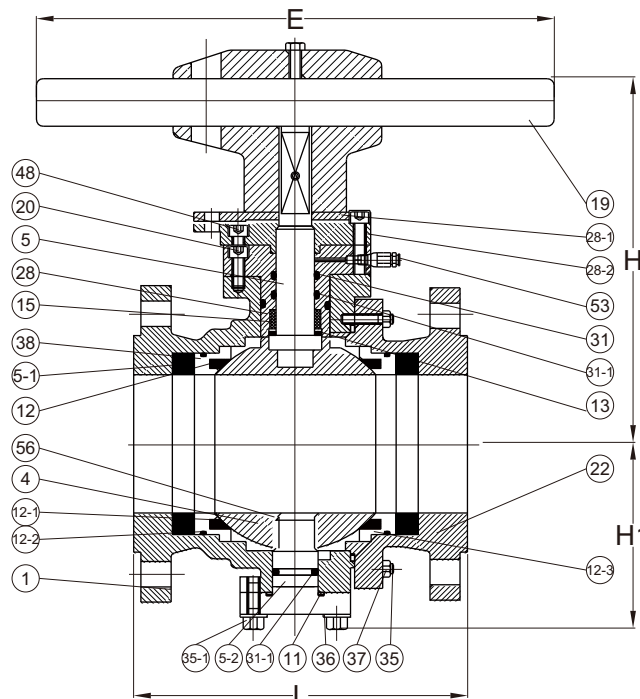




Fig No: MD-67-2500 Reduced Bore

MATERIALS LIST

| NO. | DESCRIPTION | MATERIAL |
|------|------------------|--|
| 1 | BODY | A216-WCB,WCC,A352-LCB,A351-CF8,CF8M,CF3,CF3M,CN7M,CF8C,CDMCu,CN-3MN |
| 4 | BALL | A105+ENP,A182-F6,F304,F316,F304L,F316L,F321,F51,F53,ALLOY-20 |
| 5 | STEM | 1045+ENP,A182-F6,F304,F316,F304L,F316L,F321,F51,F53,ALLOY-20,4140+ENP,17-4PH |
| 5-1 | SPRING | SS304,INCONEL,1566+ENP |
| 5-2 | TRUNNION | 1045+ENP,A182-F6,F304,F316,F304L,F316L,F321,F51,F53,ALLOY-20,4140+ENP,17-4PH |
| 9 | CAP | A216-WCB,WCC,A352-LCB,A351-CF8,CF8M,CF3,CF3M,CN7M,CF8C,CD4MCu,CN-3MN |
| 11 | GASKET | SS304,SS316+FLEXIBLE GRAPHITE |
| 12 | SEAT | PTFE,RPTFE,NYLON,PEEK,PPL,POM, KARBATE,MOLON,DEVLON |
| 12-1 | SEALING RING | FLEXIBLE GRAPHITE |
| 12-2 | SEALING RING | SS304,SS316+FLEXIBLE GRAPHITE SPIRAL WOUND |
| 12-3 | O-RING | VITON |
| 13 | THRUST WASHER | PTFE,RPTFE,STAINLESS STEEL+N |
| 15 | PACKING | FLEXIBLE GRAPHITE |
| 19 | LEVER | A216-WCB+1020 |
| 20 | SCREW | 1035,STAINLESS STEEL |
| 28 | STUFFING BOX | A105+ENP,A182-F6,F304,F316,F304L,F316L,F321,F51,F53,ALLOY-20 |
| 28-1 | LIMITED PLATE | 1035,STAINLESS STEEL |
| 28-2 | CONNECTING PLATE | 1025,A216-WCB,A351-CF8 |
| 31 | O-RING | VITON |
| 31-1 | O-RING | NBR,VITON |
| 31-2 | O-RING | NBR,VITON |
| 35 | BOLT | A193-B7,B7M,B8,B8M |
| 35-1 | SCREW | PL1035,STAINLESS STEEL |
| 36 | ADJUST WASHER | PTFE,1045+RPTFE,STAINLESS STEEL+RPTFE |
| 37 | NUT | A194-2H,2HM,8,8M |
| 38 | SEAT RING | A105+ENP,A182-F6,F304,F316,F304L,F316L,F321,F51,F53,ALLOY-20 |
| 48 | PIN | ANSI 1566 |
| 53 | OIL CUP | 1025,SS304 |
| 56 | BEARING | 1045+RPTFE,SS304+RPTFE,SS316+RPTFE |

ANSI CLASS 2500 DIMENSIONS

unit:mm

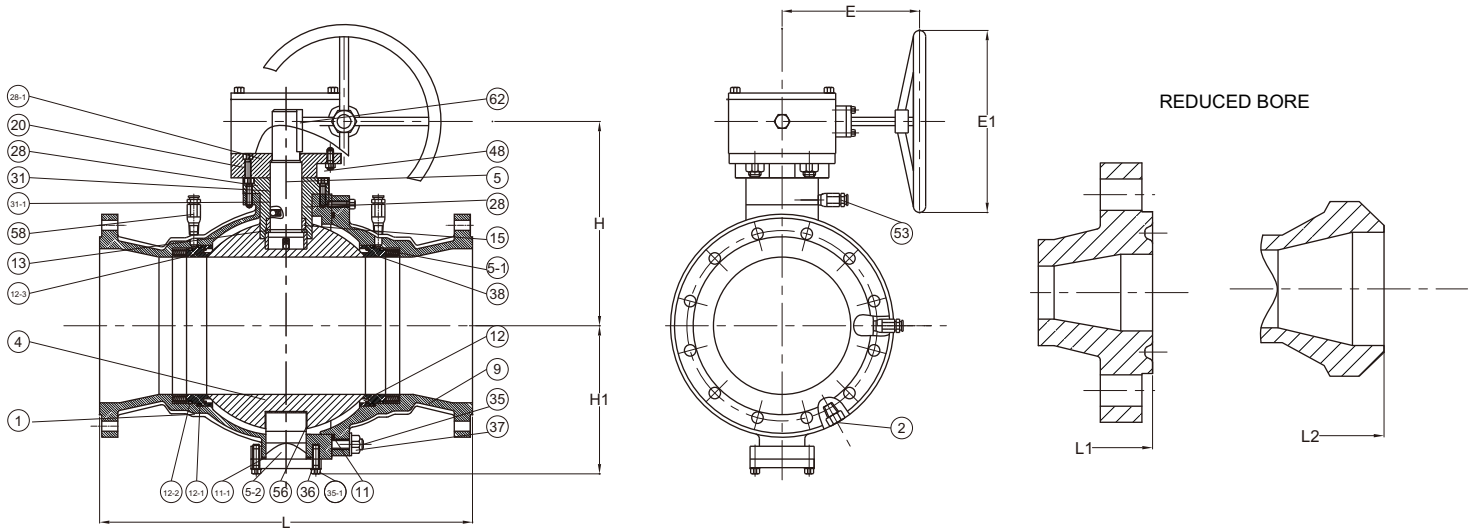
| SIZE | L | L1 | L2 | E | H | H1 | Wt (kg) |
|------------|--------|--------|-------|--------|-------|-------|---------|
| 3x2" Ⓒ | 578.0 | 584.0 | 470.0 | 1000.0 | 240.0 | 129.0 | 102.0 |
| 3x2-1/2" Ⓒ | 578.0 | 584.0 | 470.0 | 1000.0 | 270.0 | 135.0 | 173.0 |
| 4x2-1/2" Ⓓ | 673.0 | 683.0 | 546.0 | 1000.0 | 270.0 | 135.0 | 180.0 |
| 4x3" Ⓒ | 673.0 | 683.0 | 546.0 | 1000.0 | 300.0 | 159.0 | 230.0 |
| 6x3" Ⓓ | 914.0 | 927.0 | 705.0 | 1000.0 | 300.0 | 159.0 | 340.0 |
| 6x4" Ⓒ | 914.0 | 927.0 | 705.0 | --- | 350.0 | 204.0 | 413.0 |
| 8x4" Ⓓ | 1022.0 | 1038.0 | 832.0 | --- | 350.0 | 204.0 | 524.0 |

* Ⓓ Reduce Bore Ⓒ Regular Bore



Fig No: MD-67-2500 Reduced Bore

Size: 8" x 6" ~ 12" x 10"



MATERIALS LIST

| NO. | PART NAME | MATERIAL |
|------|----------------------|--|
| 1 | BODY | A216-WCB,WCC,A352-LCB,A351-CF8,CF8M,CF3,CF3M,CN7M,CF8C,CDMCu,CN-3MN |
| 2 | DRAIN VALVE AND PLUG | 1025,SS304,SS316,SS304L,SS316L,SS321,F51,F53 |
| 4 | BALL | A105+ENP,A182-F6,F304,F316,F304L,F316L,F321,F51,F53,ALLOY-20 |
| 5 | STEM | 1045+ENP,A182-F6,F304,F316,F304L,F316L,F321,F51,F53,ALLOY-20,4140+ENP,17-4PH |
| 5-1 | SPRING | SS304,INCONEL,1566+ENP |
| 5-2 | TRUNNION | 1045+ENP,A182-F6,F304,F316,F304L,F316L,F321,F51,F53,ALLOY-20,4140+ENP,17-4PH |
| 9 | CAP | A216-WCB,WCC,A352-LCB,A351-CF8,CF8M,CF3,CF3M,CN7M,CF8C,CD4MCu,CN-3MN |
| 11 | GASKET | SS304,SS316+FLEXIBLE GRAPHITE |
| 11-1 | O-RING | NBR,VITON |
| 12 | SEAT | PTFE,RPTFE,NYLON,PEEK,PPL,POM, KARBATE,MOLON,DEVLON |
| 12-1 | SEALING RING | FLEXIBLE GRAPHITE |
| 12-2 | SEALING RING | SS304,SS316+FLEXIBLE GRAPHITE SPIRAL WOUND |
| 12-3 | O-RING | VITON |
| 13 | THRUST WASHER | PTFE,RPTFE,STAINLESS STEEL+N |
| 15 | PACKING | FLEXIBLE GRAPHITE |
| 20 | SCREW | 1035,STAINLESS STEEL |
| 28 | STUFFING BOX | A105+ENP,A182-F6,F304,F316,F304L,F316L,F321,F51,F53,ALLOY-20 |
| 28-1 | CONNECTING PLATE | 1025,A216-WCB,A351-CF8 |
| 31 | O-RING | VITON |
| 31-1 | O-RING | NBR,VITON |
| 35 | BOLT | A193-B7,B7M,B8,B8M |
| 35-1 | SCREW | PL1035,STAINLESS STEEL |
| 36 | ADJUST WASHER | PTFE,1045+RPTFE,STAINLESS STEEL+RPTFE |
| 37 | NUT | A194-2H,2HM,8,8M |
| 38 | SEAT RING | A105+ENP,A182-F6,F304,F316,F304L,F316L,F321,F51,F53,ALLOY-20 |
| 48 | PIN | ANSI 1566 |
| 53 | OIL CUP | 1025,SS304 |
| 56 | BEARING | 1045+RPTFE,SS304+RPTFE,SS316+RPTFE |
| 58 | GREASE FITTING | 1025,SS304,SS316,SS304L,SS316L,SS321,ALLOY-20,F51,F53 |
| 62 | KEY | 1045 |



API 6D Trunnion Mounted Ball Valve

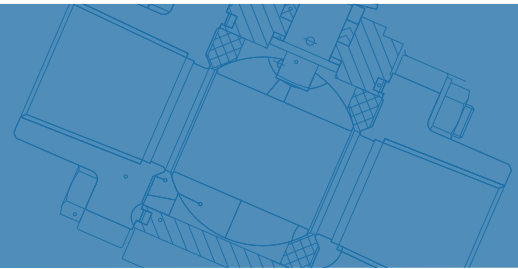


Fig No: MD-67-2500 Reduced Bore

ANSI CLASS 2500 DIMENSIONS

unit:mm

| SIZE | L | L1 | L2 | E | E1 | H | H1 | Wt(kg) |
|----------|--------|--------|--------|-------|-------|-------|-------|--------|
| 8x6" Ⓒ | 1022.0 | 1038.0 | 1022.0 | 430.0 | 450.0 | 385.0 | 250.0 | 935.0 |
| 10X6" Ⓓ | 1270.0 | 1292.0 | 1270.0 | 430.0 | 450.0 | 385.0 | 250.0 | 1080.0 |
| 10X8" Ⓒ | 1270.0 | 1292.0 | 1270.0 | 510.0 | 500.0 | 502.0 | 340.0 | 1450.0 |
| 12X8" Ⓓ | 1422.0 | 1445.0 | 1422.0 | 510.0 | 500.0 | 502.0 | 340.0 | 1869.0 |
| 12X10" Ⓒ | 1422.0 | 1445.0 | 1422.0 | 510.0 | 500.0 | 600.0 | 411.0 | 2287.0 |

* Ⓓ Reduce Bore Ⓒ Regular Bore

* Modentic Reserves The Rights To Change Any Details Without Prior Notice.