



3 Pieces Fire Safe Approved Ball Valves, Full Bore, 2000 / 1500psi

Fig No: V-255FS (V-255M) Full Bore
1/4" ~ 2" DN8 ~ DN50



Features:

Certified To API 607 4th Edition Class 600.

- Investment Cast Components.
- Blow-Out-Proof Stem Design, Antistatic Device.
- Adjustable Bottom Entry Stem.
- Two Position Locking Device.
- Four Point ISO 5211 Mounting Pad Bolt Circle.
- In-Line Repairable.
- For Chemical And Industrial Applications.
- Available Carbon Or Stainless Body Construction.

Standards Compliance:

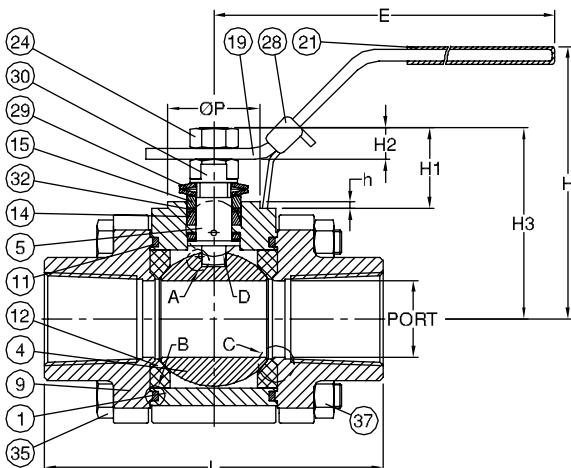
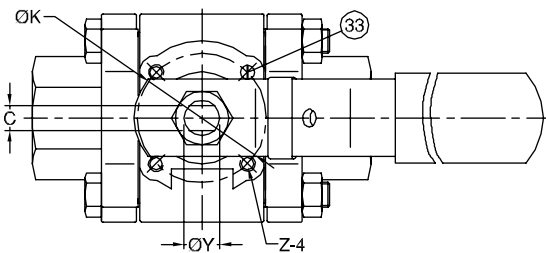
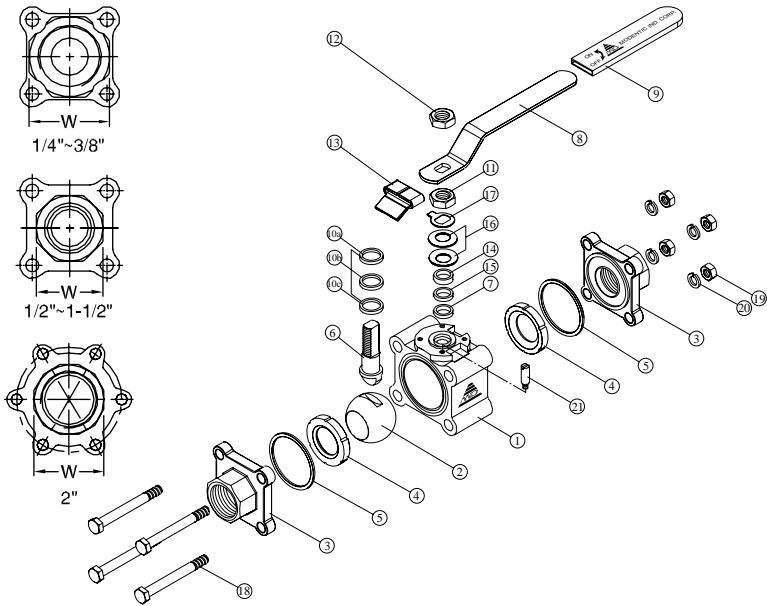
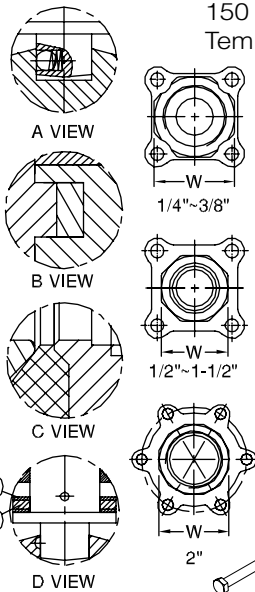
- ASME B16.34 Class 600
- ANSI B1.20.1
- ISO288-1
- DIN 2999
- BS 21
- API 607
- API 598

Specifications:

- End Connections: N P T Threaded.
- Working Pressure: 1/4" - 1" 2000 psi WOG.
- 1-1/4" - 2" 1500 psi WOG.
- 150 psig Saturated Steam.
- Temperature range: -4 to 356 ° F (-20 to 180 ° C).

MATERIALS LIST

NO.	PART NAME	MATERIAL
1	BODY	ASTM A351 Gr.CF8M
4	BALL	ASTM A351 Gr.CF8M
5	STEM	SS316
9	END CAP	ASTM A351 Gr.CF8M
11	BODY SEAL	GRAPHITE
12	SEAT	RTFE.
13	THRUST WASHER	GRAPHITE
13-1	THRUST WASHER	RTFE.
14	STEM PACKING	GRAPHITE
15	GLAND BUSH	SS304
19	HANDLE	SS304
21	HANDLE COVER	PLASTIC
24	HANDLE NUT	SS304
28	LOCKING DEVICE	SS304
29	BELLEVILLE WASHER	SS301
30	TAB WASHER	SS304
32	PACKING FOLLOWER	RTFE.
33	STOP PIN	SS304
35	BODY BOLT	SS304
37	BOLT NUT	SS304



DIMENSIONS

unit:mm

SIZE	PORT	L	E	H	H1	H2	H3	h	C	ØY	W	ØK	ØP	Z
DN8	1/4"	10.0	64.8	134.0	64.0	7.4	6.1	37.2	0.5	6.5	9.5	29.5	36.0	25.0
DN10	3/8"	10.0	64.8	134.0	64.0	7.4	6.1	37.2	0.5	6.5	9.5	29.5	36.0	25.0
DN15	1/2"	15.0	72.5	134.0	72.0	16.1	7.3	45.1	2.0	6.5	9.5	30.0	36.0	25.0
DN20	3/4"	20.0	85.4	134.0	77.0	18.4	9.1	51.4	2.0	6.5	9.5	36.0	36.0	25.0
DN25	1"	25.0	105.3	170.0	83.0	25.2	11.6	61.2	2.0	8.0	11.1	44.5	42.0	30.0
DN32	1-1/4"	32.0	111.0	170.0	88.0	24.2	9.6	64.2	2.0	8.0	11.1	54.0	42.0	30.0
DN40	1-1/2"	38.0	127.3	207.0	104.0	31.7	13.7	79.0	2.2	9.7	14.3	60.0	50.0	35.0
DN50	2"	50.0	142.8	207.0	121.6	26.0	12.6	95.5	1.5	9.7	14.3	73.2	50.0	35.0

DIMENSIONS

unit:inch

SIZE	PORT	L	E	H	H1	H2	H3	h	C	ØY	W	ØK	ØP	Z
DN8	1/4"	0.39	2.55	5.28	2.52	0.29	0.24	1.46	0.02	0.26	0.37	1.16	1.42	0.98
DN10	3/8"	0.39	2.55	5.28	2.52	0.29	0.24	1.46	0.02	0.26	0.37	1.16	1.42	0.98
DN15	1/2"	0.59	2.85	5.28	2.83	0.63	0.29	1.78	0.08	0.26	0.37	1.18	1.42	0.98
DN20	3/4"	0.79	3.36	5.28	3.03	0.72	0.36	2.02	0.08	0.26	0.37	1.42	1.42	0.98
DN25	1"	0.98	4.15	6.89	3.27	0.99	0.46	2.41	0.08	0.31	0.44	1.75	1.65	1.18
DN32	1-1/4"	1.26	4.37	6.89	3.46	0.95	0.38	2.53	0.08	0.31	0.44	2.13	1.65	1.18
DN40	1-1/2"	1.50	5.01	8.15	4.09	1.25	0.54	3.11	0.09	0.38	0.56	2.36	1.97	1.38
DN50	2"	1.97	5.62	8.15	4.79	1.02	0.50	3.76	0.06	0.38	0.56	2.88	1.97	1.38