

MODEL: **V-255FS**

MATERIAL LIST

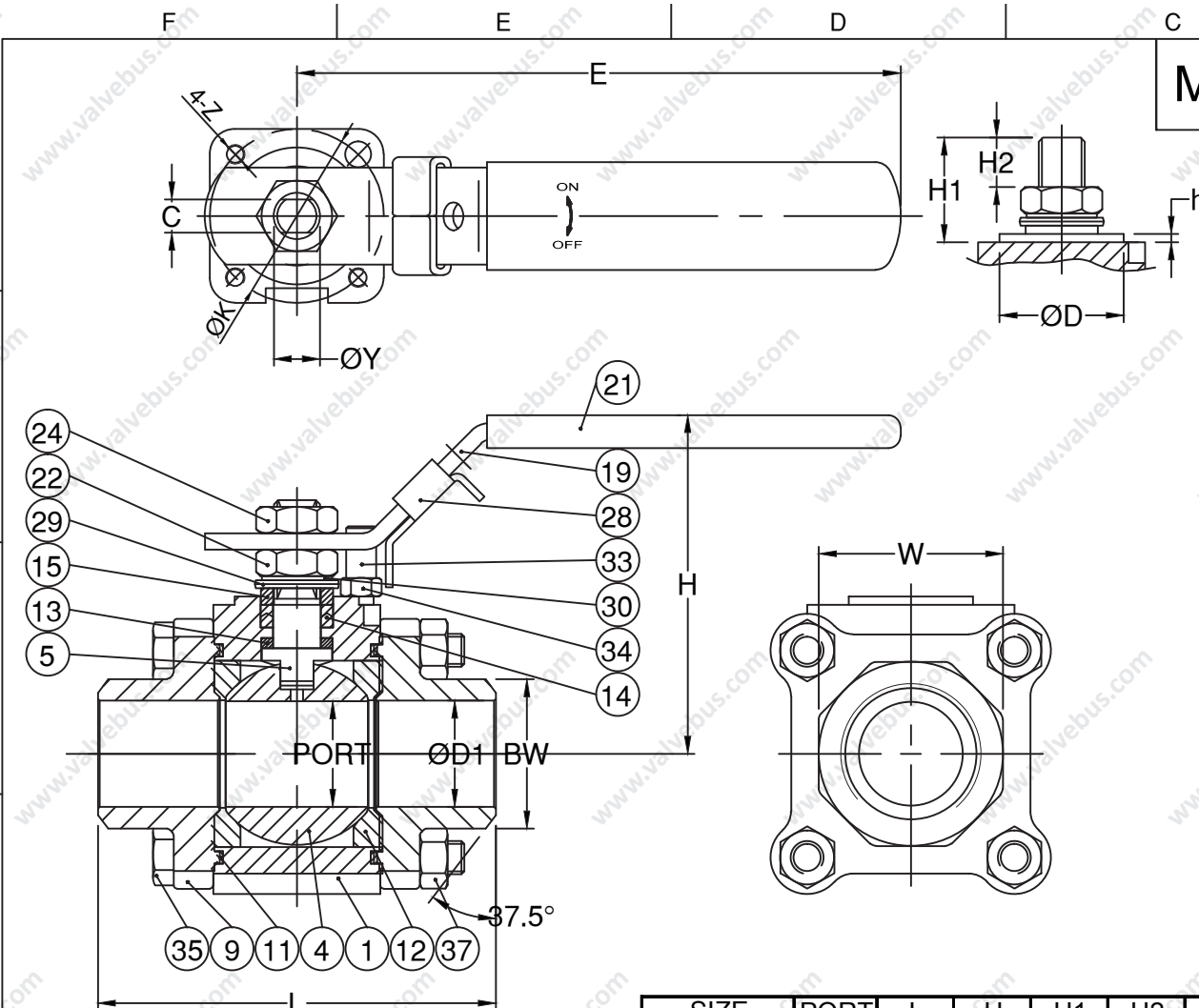
NO.	PART NAME	MATERIAL
1	BODY	ASTM A890 / 995 Gr.4A CD3MN
4	BALL	ASTM A890 / 995 Gr.4A CD3MN
5	STEM	S31803
9	END CAP	ASTM A890 / 995 Gr.4A CD3MN
11	BODY SEAL	PTFE
12	SEAT	RTFE(15%G.F.)
13	THRUST WASHER	PTFE
14	STEM PACKING	PTFE
15	GLAND BUSH	SS304
19	HANDLE	SS304
21	HANDLE COVER	PLASTIC
22	STEM NUT	SS304
24	HANDLE NUT	SS304
28	LOCKING PAD	SS304(OPTION)
29	BELLEVILLE WASHER	SS301
30	TAB WASHER	SS304
33	STOP PIN	SS304
34	STOP PIN NUT	SS304
35	BODY BOLT	ASTM A193 Gr.B8M
37	BOLT NUT	ASTM A194 Gr.8M

WORKING PRESSURE: 1/4"~1" 2000PSI
 1-1/4"~2" 1500PSI

DIMENSIONS

unit:inch

SIZE	PORT	L	H	H1	H2	h	E	C	ØD	ØD1	ØK	ØY	W	BW	Z
DN8	1/4"	0.39	2.55	2.47	0.34	0.26	5.23	0.26	0.98	0.39	1.42	0.37	1.16	0.70	M5x0.8
DN10	3/8"	0.39	2.55	2.47	0.34	0.26	5.23	0.26	0.98	0.49	1.42	0.37	1.16	0.70	M5x0.8
DN15	1/2"	0.59	2.95	2.72	0.65	0.31	5.23	0.26	0.98	0.59	1.42	0.37	1.18	0.86	M5x0.8
DN20	3/4"	0.79	3.54	2.89	0.70	0.35	5.23	0.26	0.98	0.79	1.42	0.37	1.42	1.07	M5x0.8
DN25	1"	1.00	4.33	3.22	1.00	0.47	6.76	0.31	1.18	0.98	1.65	0.44	1.75	1.36	M5x0.8
DN32	1-1/4"	1.26	4.53	3.42	1.02	0.46	6.76	0.31	1.18	1.26	1.65	0.44	2.13	1.68	M5x0.8
DN40	1-1/2"	1.50	5.10	3.84	1.25	0.59	8.04	0.38	1.38	1.50	1.97	0.56	2.36	1.93	M6x1.0
DN50	2"	2.00	5.72	5.00	1.13	0.61	8.35	0.47	2.17	1.97	2.76	0.75	2.87	2.40	M8x1.25



CODE	Y-009	⊕ ⊖	DRAWN	JANE	UNIT	inch	BODY	CD3MN	PIECE	THREE	SN	20160315150444
	CHECKED	CHESTER	SCALE	FREE	SEAT	RTFE	VALVE	BALL	CONNECTION	BUTT WELD		
	APPROVED	CHESTER	REVISION	01	FIRE SAFE	APPROVED	BORE	FULL	OPERATION	LEVER		
	DATE	2016/07/15	NOTE	API 607	PORT	2-WAY	TYPE	NORMAL	PRESSURE	2000 / 1500 PSI		

F E D C B A