

MODEL: MD-52FS

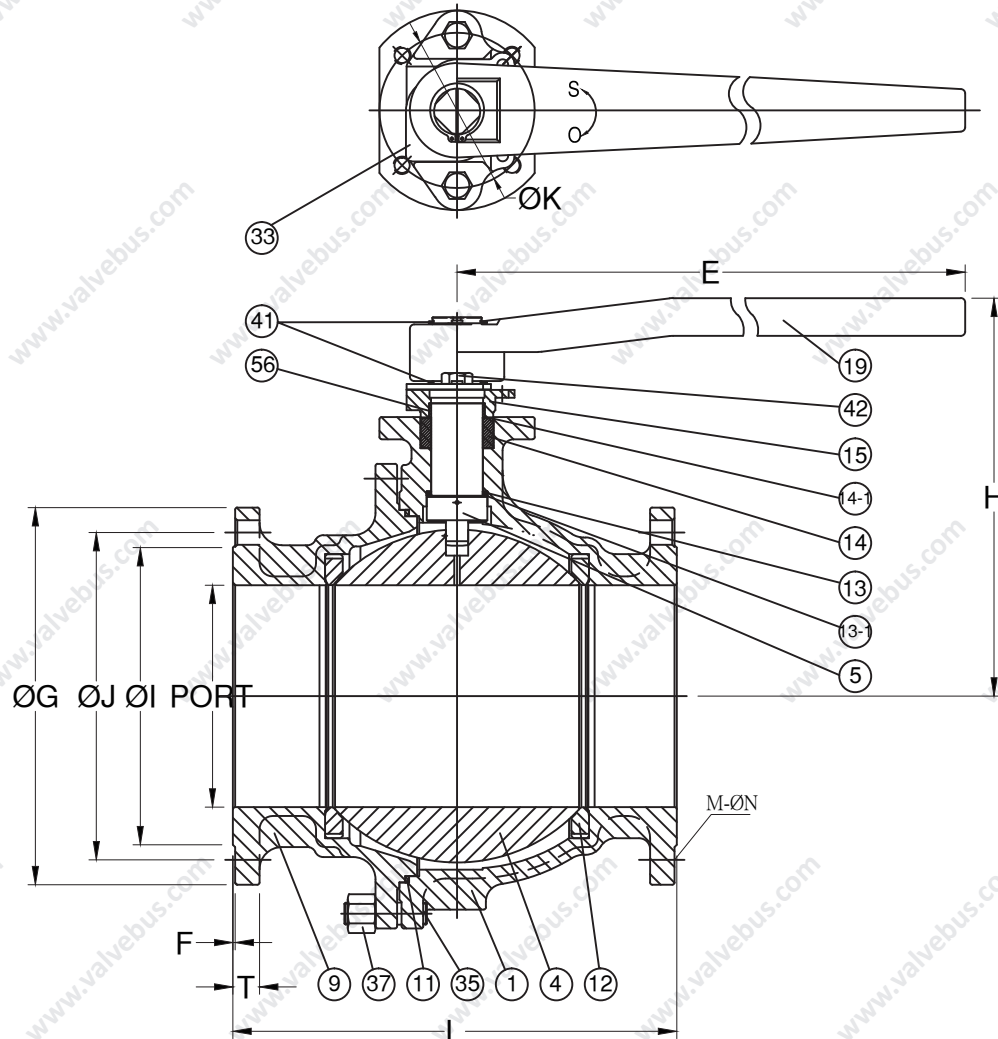
MATERIAL LIST

NO.	PART NAME	MATERIAL
1	BODY	ASTM A351 Gr.CF8M
4	BALL	ASTM A351 Gr.CF8M
5	STEM	SS316
9	END CAP	ASTM A351 Gr.CF8M
11	BODY SEAL	SPIRAL WOUND WIRE (316/GRAPHITE)
12	SEAT	RTFE
13	THRUST WASHER	GRAPHITE
13-1	WASHER PROTECTOR	PTFE
14	STEM PACKING	GRAPHITE
14-1	PACKING PROTECTOR	PTFE
15	GLAND FLANGE	ASTM A351 Gr.CF8
19	HANDLE	FCD45
33	TRAVEL STOPPER	SS304
35	STUD	SS304
37	BOLT NUT	SS304
41	SNAP RING	SS304
42	GLAND BOLT	SS304
56	GLAND BEARING	PTFE

DIMENSIONS

unit:inch

SIZE	PORT	L	E	H	ØG	ØJ	ØI	T	F	M	ØN	ØK	
DN15	1/2"	0.59	4.25	5.15	3.05	3.5	2.38	1.38	0.46	0.08	4	0.63	1.65
DN20	3/4"	0.79	4.61	5.15	3.15	3.86	2.76	1.69	0.46	0.08	4	0.63	1.65
DN25	1"	1	5	6.42	3.63	4.25	3.13	2.01	0.47	0.08	4	0.63	1.97
DN32	1-1/4"	1.26	5.51	6.42	3.81	4.63	3.5	2.52	0.52	0.08	4	0.63	1.97
DN40	1-1/2"	1.5	6.5	7.95	5.13	5	3.88	2.87	0.6	0.08	4	0.63	2.76
DN50	2"	1.97	7.01	7.95	5.43	5.98	4.74	3.62	0.64	0.08	4	0.75	2.76
DN65	2-1/2"	2.48	7.48	7.95	6.32	7.01	5.49	4.13	0.71	0.08	4	0.75	2.76
DN80	3"	3.15	7.99	12.74	6.88	7.48	6	5	0.77	0.08	4	0.75	4.02
DN100	4"	3.86	9.02	12.74	7.76	9.02	7.5	6.18	0.96	0.08	8	0.75	4.02
DN125	5"	4.92	14.02	29.63	9.8	10	8.5	7.32	0.96	0.08	8	0.87	4.92
DN150	6"	5.98	15.51	29.63	10.53	10.98	9.51	8.5	1.02	0.08	8	0.87	4.92



CODE	Y-009		DRAWN	JANE	UNIT	inch	BODY	CF8M	PIECE	TWO	SN	N/A
	CHECKED	JERRY	SCALE	FREE	SEAT	RTFE	VALVE	BALL	CONNECTION	FLANGED END		
	APPROVED	MIKE	REVISION	01	FIRE SAFE	APPROVED	BORE	FULL	OPERATION	LEVER		
	DATE	2016/02/23	NOTE	API 607	PORT	2-WAY	TYPE	STANDRAD	PRESSURE	CLASS 150		