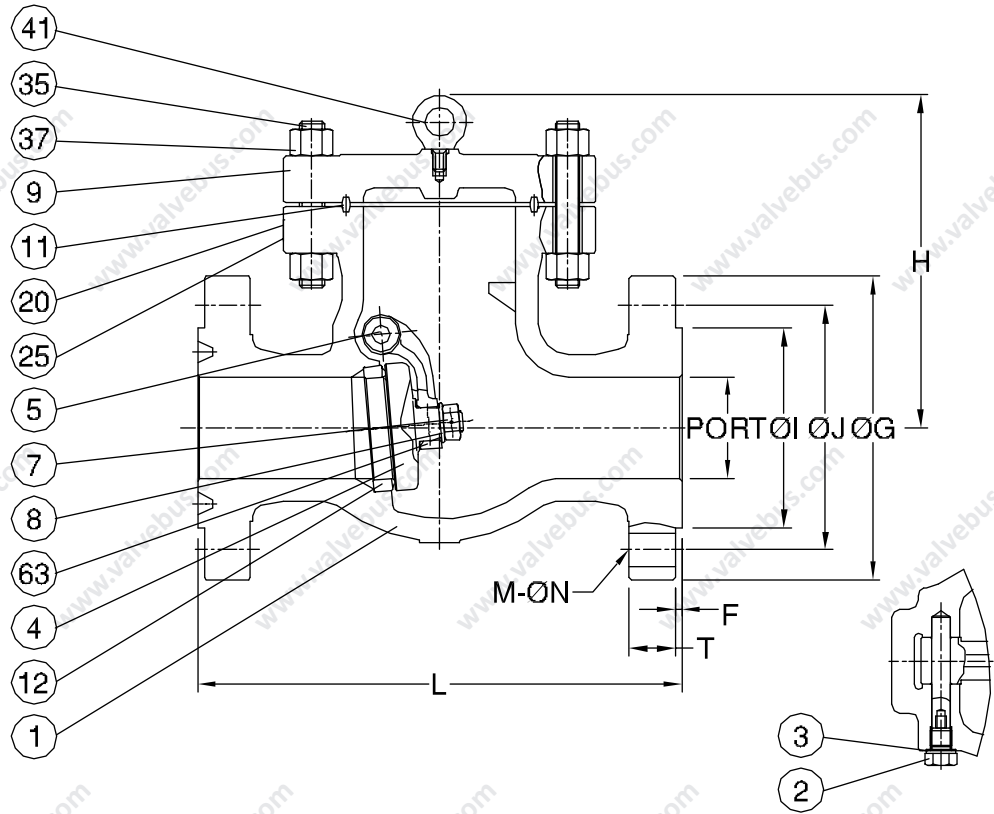


TRIM #8

Fig No: SF-1500



MATERIAL LIST

NO.	PART NAME	MATERIAL
1	BODY	ASTM A216 Gr.WCB
2	PLUG	ASTM A276 Gr.410
3	PLUG SEAL	SS304
4	DISC	ASTM A216 Gr.WCB+13Cr.
5	PIN	ASTM A276 Gr.410
7	DISC NUT	ASTM A276 Gr.410
8	DISC WASHER	ASTM A276 Gr.410
9	BONNET	ASTM A216 Gr. WCB
11	BODY SEAL	ASTM A29 Gr.1008
12	SEAT RING	ASTM A105 + STL#6
20	RIVET	SS304
25	NAME PLATE	SS304
35	BODY BOLT	ASTM A193 Gr.B7
37	BODY NUT	ASTM A194 Gr.2H
41	SNAP RING	ASTM A29 Gr.1035
63	HINGE	ASTM A216 Gr.WCB

DIMENSIONS

SIZE	PORT	L	H	ØG	ØJ	ØI	T	F	M	ØN	unit:mm
DN200	8"	178.0	832.0	530.0	483.0	393.7	270.0	92.0	6.4	12	45.0

CODE	D-014		APPROVED BY.	CHECK BY.	DRAWN BY.	DRAWING NO.	MATERIAL	UNIT	DESCRIPTION
	INDUSTRIAL CORPORATION		SIGN	MIKE	JERRY	DAVID	SF-1500-D014	MATERIALS LIST	CARBON STEEL SWING CHECK VALVE, FLANGED END, ANSI CLASS 1500
			DATE	08/23/2010	08/23/2010	08/23/2010	REVISION	01	