

MODEL:

V-255FS

MATERIAL LIST

NO.	PART NAME	MATERIAL	
1	BODY	ASTM A351 Gr.CF8M	ASTM A216 Gr.WCB
4	BALL	ASTM A351 Gr.CF8M	ASTM A351 Gr.CF8M
5	STEM	SS316	SS316
9	END CAP	ASTM A351 Gr.CF8M	ASTM A216 Gr.WCB
11	BODY SEAL	GRAPHITE	GRAPHITE
12	SEAT	RTFE(15%G.F.)	RTFE(15%G.F.)
13	THRUST WASHER	GRAPHITE	GRAPHITE
13-1	THRUST WASHER	RTFE	RTFE
14	STEM PACKING	GRAPHITE	GRAPHITE
15	GLAND BUSH	SS304	SS304
19	HANDLE	SS304	SS304
21	HANDLE COVER	PLASTIC	PLASTIC
22	STEM NUT	SS304	SS304
24	HANDLE NUT	SS304	SS304
28	LOCKING DEVICE	SS304	SS304
29	BELLEVILLE WASHER	SS301	SS301
30	TAB WASHER	SS304	SS304
32	PACKING FOLLOWER	RTFE	RTFE
33	STOP PIN	SS304	SS304
35	BODY BOLT	SS304	SS304
36	BOLT WASHER	SS304	SS304

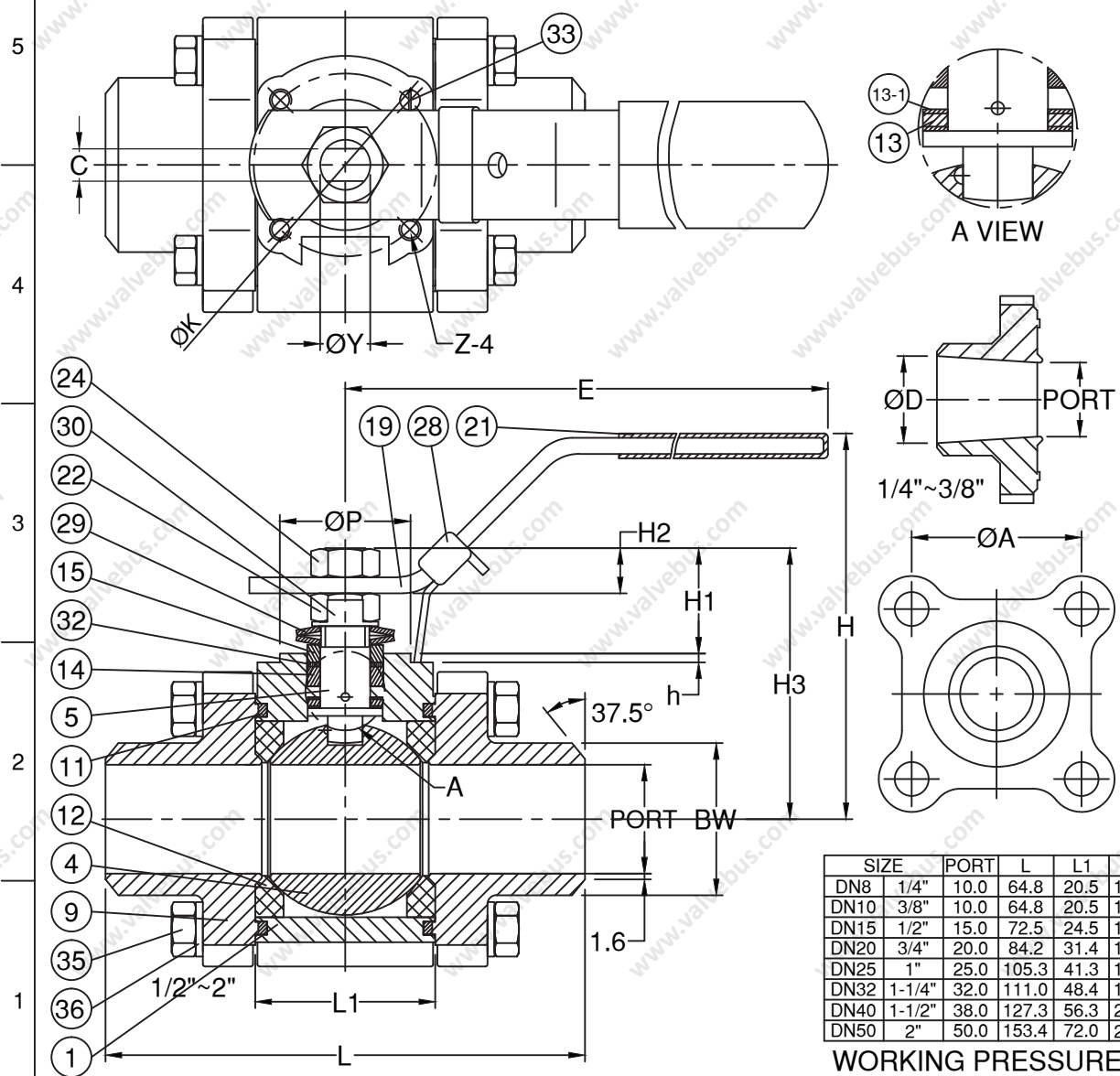
API 607 6th EDITION

DIMENSIONS

unit:mm

SIZE	PORT	L	L1	E	H	H1	H2	H3	h	C	ØY	ØK	ØP	Z	ØD	BW	ØA	
DN8	1/4"	10.0	64.8	20.5	132.8	63.7	7.5	6.6	37.1	0.5	6.5	9.5	36.0	25.1	M5	10.0	13.7	32.0
DN10	3/8"	10.0	64.8	20.5	132.8	63.7	7.5	6.6	37.1	0.5	6.5	9.5	36.0	25.1	M5	12.7	17.7	32.0
DN15	1/2"	15.0	72.5	24.5	132.8	65.1	17.1	11.1	46.1	2.0	6.5	9.5	36.0	25.0	M5		21.9	35.0
DN20	3/4"	20.0	84.2	31.4	132.8	73.2	18.1	9.1	50.9	2.0	6.5	9.5	36.0	25.0	M5		27.3	41.3
DN25	1"	25.0	105.3	41.3	171.8	83.1	25.4	13.1	61.4	2.0	8.0	11.1	42.0	30.0	M5		34.7	48.0
DN32	1-1/4"	32.0	111.0	48.4	171.8	87.6	26.2	12.6	66.8	2.0	8.0	11.1	42.0	30.5	M5		42.8	56.2
DN40	1-1/2"	38.0	127.3	56.3	204.2	98.4	32.4	14.9	80.0	2.2	9.7	14.2	50.0	35.0	M6		49.1	63.6
DN50	2"	50.0	153.4	72.0	211.0	130.0	28.5	15.5	99.4	1.5	12.0	19.05	70.0	55.0	M8		60.9	79.2

WORKING PRESSURE: 1/4"~1" 2000PSI  
1-1/4"~2" 1500PSI



CODE	K-011	⊕	DRAWN	JANE	UNIT	mm	BODY	CF8M	PIECE	THREE	SN	N/A
			CHECKED	MIKE	SCALE	FREE	SEAT	RTFE	VALVE	BALL	CONNECTION	BUTT WELD
			APPROVED	MIKE	REVISION	02	FIRE SAFE	APPROVED	BORE	FULL	OPERATION	LEVER
			DATE	2017/02/02	NOTE	API 607	PORT	2-WAY	TYPE	STANDARD	PRESSURE	2000 / 1500 PSI

