

MODEL: **HPV-41**

**MATERIAL LIST**

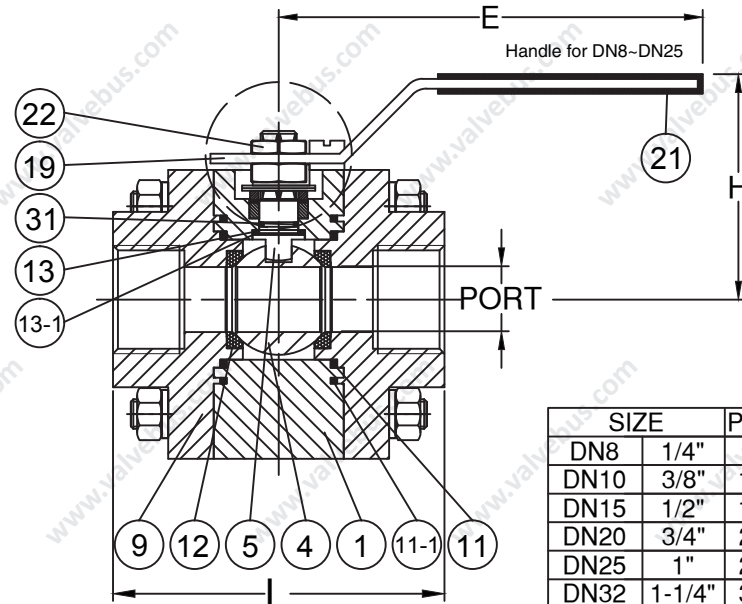
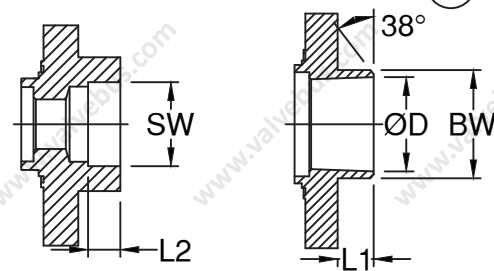
NO.	PART NAME	MATERIAL
1	BODY	AISI 316 / AISI 1045
4	BALL	ASTM A351 Gr.CF8M
5	STEM	17-4PH
9	END CAP	AISI 316 / AISI 1045
11	BODY SEAL	DELTRIN
11-1	BODY SEAL	PTFE
12	SEAT	DELTRIN / PEEK
13	THRUST WASHER	DELTRIN / PEEK
14	STEM PACKING	PTFE.+25%Carbon
15	GLAND BUSH	SS304
19	HANDLE	SS304
20	SET SCREW	SS304
21	HANDLE COVER	PLASTIC
22	STEM NUT	SS304
24	HANDLE NUT	A2-70
28	STOP PLATE	SS304
29	BELLEVILLE WASHER	SS304-CSP
30	TAB WASHER	SS304
31	O-RING	VITON
32	PACKING FOLLOWER	TFM1600
33	STOP PIN	SS304
35	BODY BOLT	SS304 / SCM440
36	BOLT WASHER	SS304 / S45C
37	BOLT NUT	SS304 / S45C
50	STEM ADAPTER	ASTM A351 Gr.CF8

**DIMENSIONS**

unit:mm

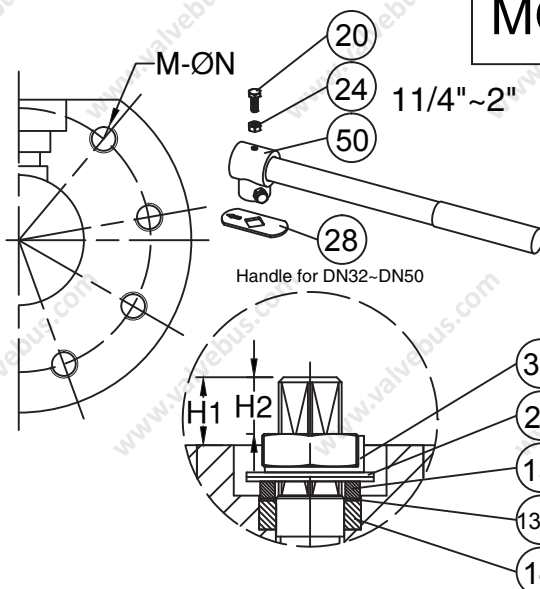
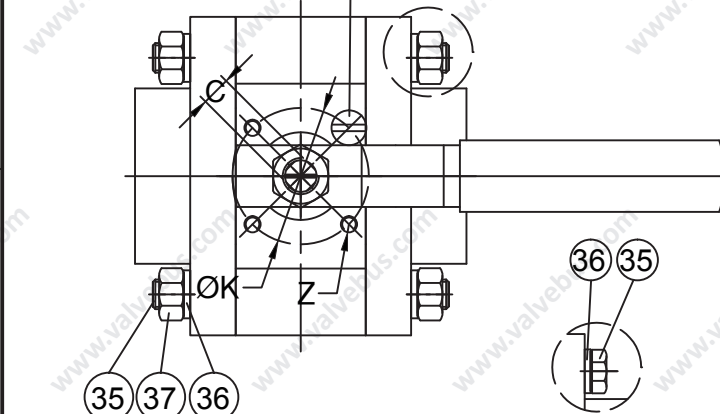
SIZE	PORT	L	L1	L2	E	H	H1	H2	C	M	ØN	ØK	Z	ØD	BW	SW	
DN8	1/4"	9.5	85.0	13.0	10.0	151.0	61.0	10.1	7.0	9.0	6	5/16"-18UNC	36.0	M5	9.2	13.7	14.0
DN10	3/8"	11.6	85.0	13.0	10.0	151.0	61.0	10.1	7.0	9.0	6	5/16"-18UNC	36.0	M5	12.5	17.1	17.6
DN15	1/2"	16.0	89.0	13.0	10.0	151.0	67.0	14.85	10.3	9.0	8	5/16"-18UNC	42.0	M5	15.8	21.3	21.7
DN20	3/4"	20.0	102.0	17.0	13.0	183.0	81.0	12.0	10.0	9.0	8	5/16"-18UNC	42.0	M5	20.9	26.7	27.3
DN25	1"	25.0	129.0	20.0	13.0	183.0	95.0	22.3	13.3	11.0	8	3/8"-16UNC	42.0	M5	26.6	33.4	33.9
DN32	1-1/4"	32.0	139.0	20.0	13.0	285.0	113.0	33.2	17.5	14.0	8	3/8"-16UNC	50.0	M6	35.1	42.2	42.8
DN40	1-1/2"	38.0	148.0	20.0	13.0	285.0	117.0	28.0	17.5	14.0	8	1/2"-13UNC	50.0	M6	40.9	48.3	48.7
DN50	2"	50.0	168.0	25.0	16.0	285.0	125.0	19.85	17.5	14.0	8	9/16"-12UNC	50.0	M6	52.5	60.3	61.0

SOCKET WELD      BUTT WELD



AISI316(DN25~DN50)  
AISI1045(AN8~DN50)

AISI316(DN8~DN20)



CODE	S-001		DRAWN	JANE	UNIT	mm	BODY	SS316	PIECE	THREE	SN	N/A
 <b>KEVIN STEEL CORPORATION</b>	CHECKED	CHESTER	SCALE	FREE	SEAT	PTFE	VALVE	BALL	CONNECTION	TH / SW / BW END		
	APPROVED	CHESTER	REVISION	02	FIRE SAFE	APPROVED	BORE	FULL	OPERATION	LEVER		
	DATE	2015/10/16	NOTE	API 607	PORT	2-WAY	TYPE	STANDARD	PRESSURE	PN420		