



BS 6364 Cryogenic Test Certified Ball Valve

Typical Application :

Oil & Gas - Petrochemical – Chemical – Paraffin/Kerosene –
Emergency Cut-Off - General Industrial



LT-2000

3-PIECES DIRECT MOUNTING CRYOGENIC BALL VALVE



Size : 1/4”~ 2”
Full Bore

• Material:CF8M

• BS 6364 Cryogenic Test Certified

• Cryogenic Extension (MSS SP-134-2012)

• Face to Face complies with DIN3202-M3 S13

• ISO 5211 direct mounting flange

• Blow-out proof Stem & Anti-Static design

• Floating Ball Design

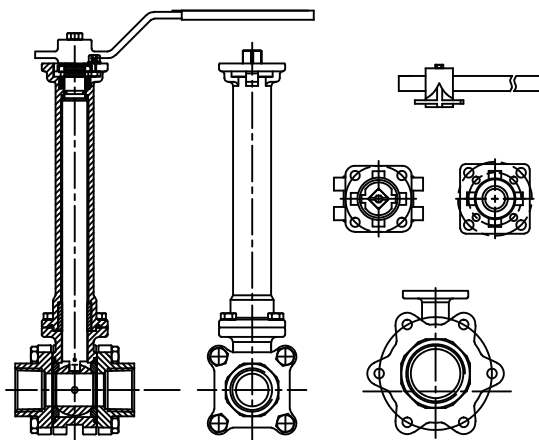
• Viton O-Ring on Stem Gives Extra Support and Assurance of tightness

• Service: Nitrogen, Argon, Oxygen, Methane, Carbon Dioxide, LNG,...etc.

• Temperature Range : -196 to +200°C

• Working Pressure : 2000psi

• Lever Operated, Pneumatic or Electric Actuated



MODENTIC VALVES
MODENTIC INDUSTRIAL CORPORATION



www.valvebus.com



<http://www.ValveBus.com>



Contact Modentic for more details at service@ms.valvebus.com