

**Fig No. V-103P Reduced Bore**  
**1/4" ~ 2" DN8 ~ 50**



**Features :**

One Piece body design, Economy type  
 Investment cast Component, Blow-out-proof Stem  
 For Industrial, chemical application  
 Carbon Steel & Super Alloy upon request

**Standard Compliance :**

Body wall thickness : EN 12516-1/3  
 Threaded end : BS 21 ( BSP )  
 BSPT  
 ISO 228-1  
 DIN 2999  
 ISO7-1Rp  
 Face to Face : MD's Standard  
 Body Material : EN 1503-1  
 Pressure Testing : EN12266

**Specification**

End Connection : Threaded end  
 Working Pressure : 40 Bar ( CWP )  
 Temperature : -20 ~ 180° C

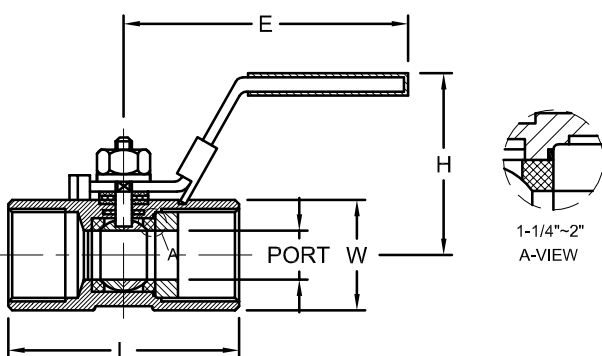
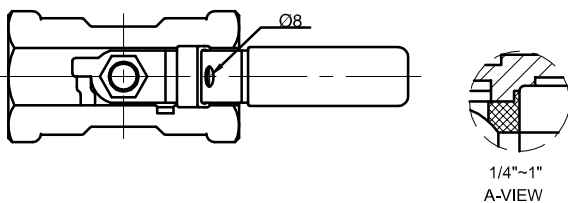
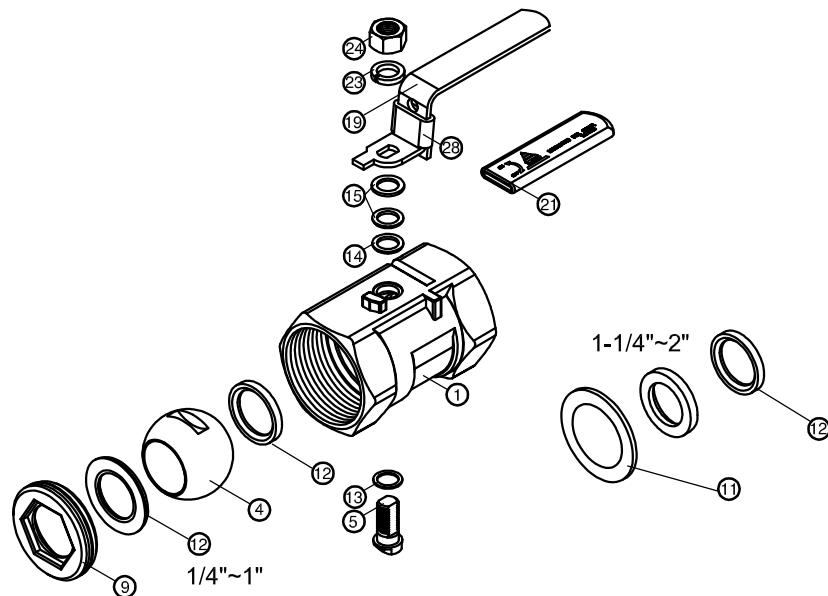
**Option :**

1. Locking Device

**MATERIALS LIST**

NO.	PART NAME	MATERIAL
1	BODY	1.4408/EN1503-1
4	BALL	SS316/CF8M
5	STEM	SS316
9	INSERT	1.4408/EN1503-1
11	BODY SEAL	PTFE.
12	SEAT	PTFE.
13	THRUST WASHER	PTFE.
14	STEM PACKING	PTFE.
15	GLAND	SS304
19	HANDLE	SS304
21	HANDLE COVER	PLASTIC
23	HANDLE WASHER	SS304
24	HANDLE NUT	SS304
28	LOCKING DEVICE	SS304(OPTION)

BALL - SS 316 1/4"-1/2" CF8M 3/4"-2"



**DIMENSIONS unit:mm**

SIZE	PORT	L	E	H	W
DN8	1/4"	5.0	39.0	69.0	35.0
DN10	3/8"	7.2	44.0	79.0	36.0
DN15	1/2"	9.2	56.5	109.0	40.0
DN20	3/4"	12.5	59.0	109.0	42.0
DN25	1"	15.0	71.0	111.7	47.0
DN32	1-1/4"	20.0	78.0	111.7	53.0
DN40	1-1/2"	25.0	83.0	157.0	62.0
DN50	2"	32.0	100.0	155.5	67.0