

Fig No: MV-1222 2"~ 24"
DN50 ~ DN600



Features :

- Highest Degree of Tightness
- Low Pressure Drop
- Free of Maintenance
- Low Friction
- Seat : NBR / EPDM / Viton / Metal

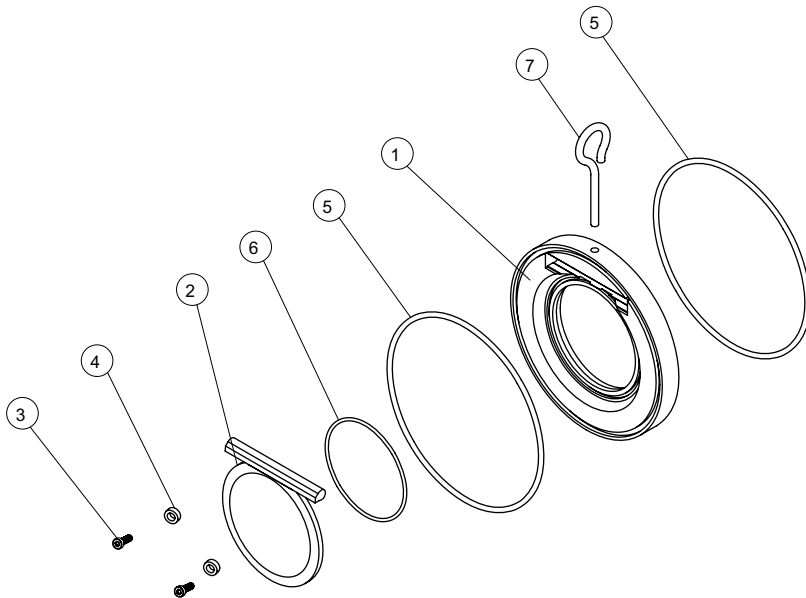
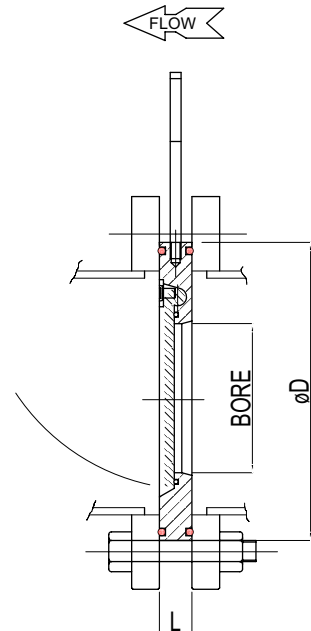
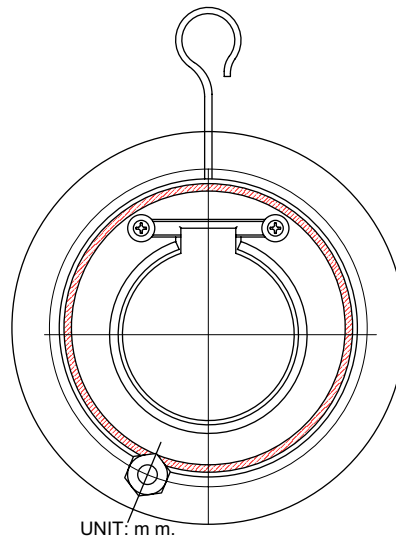
Standard Compliance :

ASTM ASME B16.34 API 6D API 598 API 600 ANSI B16.5
BS 10 Table E

Specifications:

Design According to API 6D
Shell Well Thickness According to API 6D
Face to Face According to API 6D
Flanged Dimension According to ANSI B16.5
Pressure -Temperature Rating According to ASME B16.34
Pressure Test According to API 6D

NO.	PARTS NAME	MATERIALS
1	BODY	A351 CF8M
2	DISC	A351 CF8M
3	RETAINER	SUS 316
4	BUSH	SUS 316
5	CLAPPER SEAL	NBR
6	BODY SEAL	NBR
7	EYE BOLT	SUS 316



DIMENSIONS mm

SIZE	øD	L	BORE	
2"	DN50	105.0	19.0	30.0
2-1/2"	DN65	124.0	19.0	42.0
3"	DN80	137.0	19.0	50.0
4"	DN100	175.0	19.0	72.0
5"	DN125	197.0	19.0	93.0
6"	DN150	222.0	19.0	113.0
8"	DN200	279.0	29.0	142.0
10"	DN250	340.0	29.0	190.0
12"	DN300	410.0	38.0	221.0
14"	DN350	451.0	44.0	260.0
16"	DN400	514.0	51.0	306.0
18"	DN450	549.0	60.0	358.0
20"	DN500	606.0	64.0	408.0
24"	DN600	660.0	70.0	510.0