

Fig No: FSF-300 Integral body flanged
1/2"~ 2" DN15 ~ DN50

Features :

Integral Flanged valves are available in bonnet designs. The design is the Bolted Bonnet, With male-female joint, spiral wound gasket, made in F304L/graphite. Ring joint gasket are also available on request. Integral flanged end valves are available in gate, globe, piston check design configuration.



Integral Flanged End Valve Design Construction and Specifications :

Integral flanged end valves conform to API602, MSS-SP-118 (as applicable), and ANSI B16.34. BS 5352. Each are tested according to API 598, Marking is per MSS SP-25.

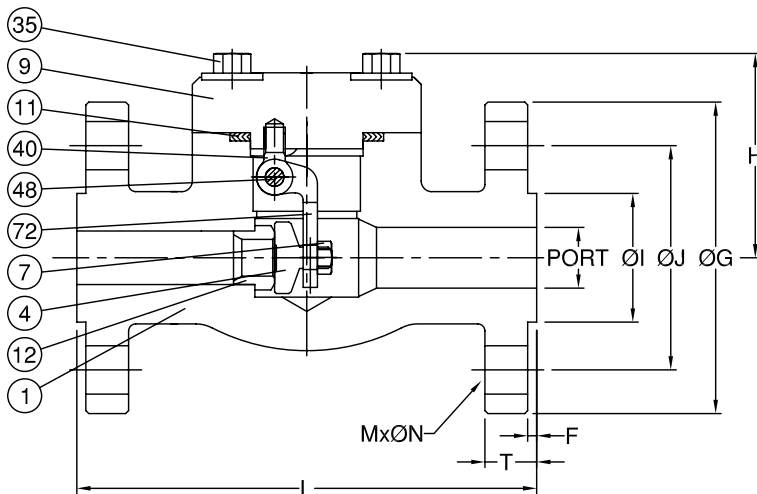
Construction is as follows :

- Full Port or Conventional Port
- Face to Face according to ANSI B16.10
- Flanges according to ANSI B16.5
- Integral body flange
- Bolted bonnet with spiral-wound gasket
- Swing type

MATERIALS LIST

NO.	NAME	MATERIAL
1	BODY	ASTM A105
4	SWING DISC	ASTM A182 Gr.F6+STL#6
7	DISC NUT	ASTM A194 Gr.2H
9	BONNET	ASTM A105
11	BODY SEAL	F304+GRAPHITE
12	SEAT	ASTM A182 Gr.F6
35	BOLT	ASTM A193 Gr.B7
40	PONTLEVIS	ASTM A105
48	PIN	ASTM A182 Gr.F304
63	HINGE	ASTM A105

* Other material available upon request



DIMENSIONS

SIZE	PORT	L	H	ØG	ØJ	ØI	T	F	M	ØN	
DN15	1/2"	13.0	152.0	70.0	95.0	66.5	35.0	15.0	1.6	4	19
DN20	3/4"	19.0	178.0	75.0	117.0	82.5	43.0	16.0	1.6	4	19
DN25	1"	25.0	216.0	90.0	124.0	89.0	51.0	18.0	1.6	4	19
DN32	1-1/4"	32.0	229.0	110.0	133.0	98.5	64.0	19.0	1.6	4	19
DN40	1-1/2"	38.0	241.0	110.0	156.0	114.5	73.0	21.0	1.6	4	22
DN50	2"	51.0	267.0	130.0	165.0	127.0	92.0	23.0	1.6	8	19

unit:mm