

**Fig No: FPC-2500**

**1/2"~ 2" DN15 ~ DN50**

**Features :**

2500Lb Forged steel pressure-seal piston check valves are available in bonnet designs. The design is the pressure seal bonnet, with a threaded and pressure seal bonnet joint.

**Check valve Design Construciton and Specifications :**

Check vales conform to MSS-SP-118 and ASME B16.34.

Each are tested according to API598

Marking is per MSS SP-25.

**Construciton is as follows :**

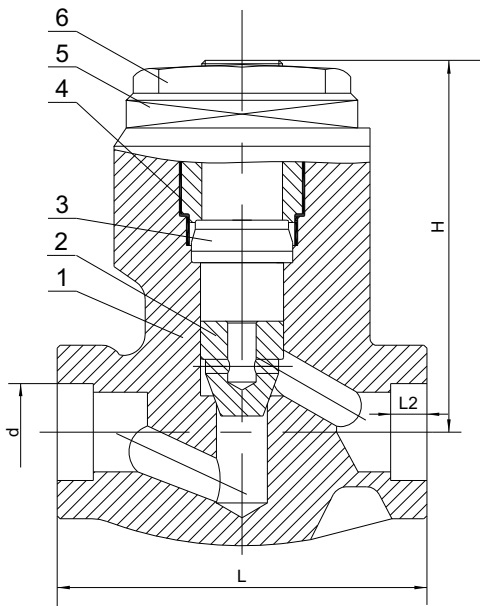
Piston check

Spring available on request

Bolted bonnet with spiral-wound gasket, threaded and seal welded bonnet or threaded and pressure seal bonnet

Socket weld Ends to ASME B16.11

Screwed Ends (NPT) to ANSI/ASME B1.20.1



**DIMENSIONS**

unit:mm

NPS	1/2"	3/4"	1"	1-1/4"	1-1/2"	2"
L(2500Lb)	186	186	186	232	232	279
H	117	117	117	152	152	195
Weights(kg)	9.0	7.6	8.4	19.5	20.1	21.8

**MATERIALS LIST**

NO	Name	SS to ASTM		
		CS to ASTM Type A105	Type F304(L)	Type F316(L)
1	BODY	A105	A182 F304(L)	A182 F316(L)
2	Lift Disc	A182 F6	A276 304(L)	A276 316(L)
3	Sealing Seat	A105	A182 F304(L)	A182 F316(L)
4	Pressure Ring	F316+GRAPHITE		
5	Retention Nut	A105	A182 F304(L)	A182 F316(L)
6	P.S.Lock Nut	A105	A182 F304(L)	A182 F316(L)

Other Materials Also Available On Requested