

**Fig No: FGT-2500**

**1/2" ~ 2" DN15 ~ DN50**

**Features :**

2500Lb Forged steel gate valves are available in bonnet designs. The design is the pressure seal bonnet, with a threaded and pressure seal bonnet joint.

**Gate valve Design Construction and Specifications :**

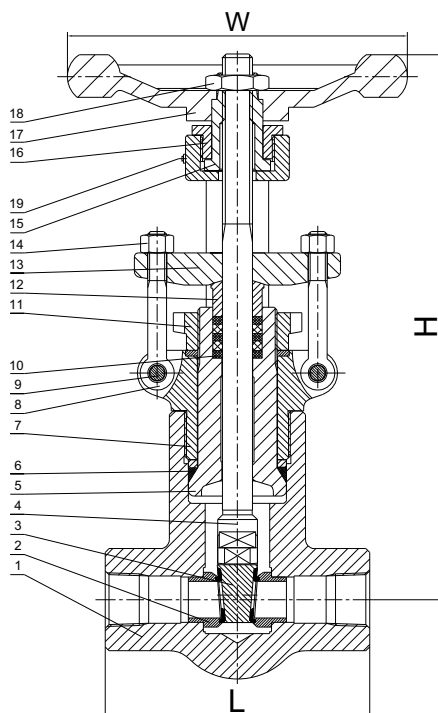
Gate valves conform to API602, BS5352, and ASME B16.34.

Each are tested according to API598

Marking is per MSS SP-25.

**Construction is as follows :**

- Full Port or Conventional Port
- Outside Screw and Yoke
- Two piece self aligning packing gland
- Bolted bonnet with spiral-wound gasket,
- Integral backseat
- Flange Ends to ASME B16.5
- Socket weld Ends to ASME B16.11
- Screwed Ends (NPT) to ANSI/ASME B1.20.1



**DIMENSIONS**

unit:mm

NPS	1/2"	3/4"	1"	1-1/4"	1-1/2"	2"
L(2500Lb)	186	186	186	232	232	279
H(Open)	321	321	321	380	414	502
W	160	160	180	220	250	280
Weights(kg)	12.3	11.6	10.8	26.0	28.4	60.0

**MATERIALS LIST**

NO	Part Name	CS to ASTM	SS to ASTM	
		Type A105	Type A182 F304	Type A182 F304(L)
1	Body	A105	A182 F304(L)	A182 F316(L)
2	Seat Ring	A182 F6	A276 F304(L)	A276 F316(L)
3	Wedge	A182 F6	A182 F304(L)	A182 F316(L)
4	Stem	A182 F6	A182 F304(L)	A182 F316(L)
5	Pressure Seat	A105	A182 F304(L)	A182 F316(L)
6	Pressurering	F316+Graphite		
7	Bonnet	A105	A182 F304(L)	A182 F316(L)
8	Gland Eyebolt	A193 B7	A193 B8	
9	Pin	F304		
10	Stem Packing	Flexibte+Graphite		
11	P.S.Lock Nut	A182 F304	A182 F304(L)	A182 F304(L)
12	Gland	A276 410	A182 F316	
13	Gland Flange	A105	F304	
14	Gland Nut	A194 2H	A194 8	
15	Yoke Nut	A276-410		
16	Retaining Nut	A194 2H	A194 8	
17	Handwheel	60-40-18		
18	H.W.LOCK Nut	A194 2H	A194 8	
19	Oil Cup	Brass		

Other Materials Also Available On Requested