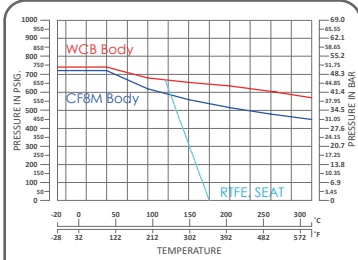
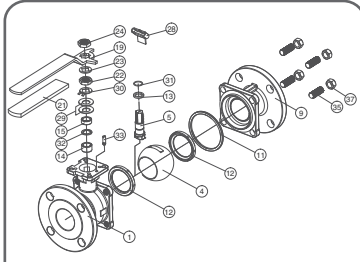


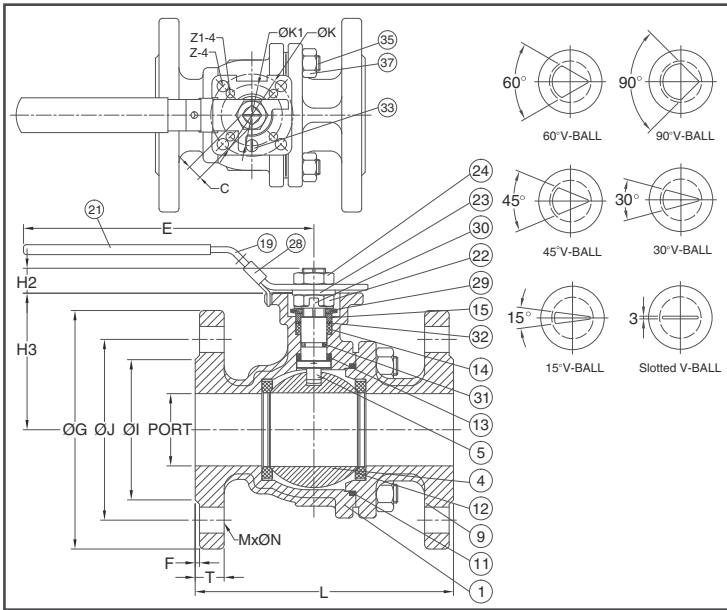
CRN
 CERTIFICATED



ANSI Class 300 P-T Chart



Explosion Drawing



FEATURES

- Investment Cast Body Construction
- 2 Pieces Body Design
- ISO 5211 Direct Mounting Flange
- Blow-Out-Proof Stem & Anti-Static Device Design
- Available for 15°、30°、45°、60°、90°、Slotted V-Ball
- Available for Pneumatic or Electric Actuator
- NACE MR0175 is available upon request
- Super Alloy materials for highly corrosive medium are available upon request

AUTOMATION AVAILABLE

SPECIFICATIONS

- Size Range 1/2" ~ 6" (DN15 ~ DN150)
- End Connection Flanged End, RF
- Working Pressure
 CF8M - 720 PSI (CWP)
 WCB - 740 PSI (CWP)
- Steam Pressure 150 PSIG. Saturated Steam for RTFE.
- Temperature Range -4 to 356 °F (-20 to 180 °C) for RTFE.

STANDARDS

- Design ASME/ANSI B16.34 / API 608
- Mounting Flange ISO 5211
- Face to Face ASME/ANSI B16.10 Class 300
- Flange Dimension ASME/ANSI B16.5 Class 300 RF
- Material ASTM
- Pressure Testing API 598

CERTIFICATE

- Fire Safe **OPTION** API 607 Fire Safe Design
- Quality Assurance ISO 9001
- Material Certificate EN 10204-3.1 MTR
- CE Approval PED 97/23/EC Module H
- Canadian Certificate CRN

MATERIAL LIST

NO.	PART NAME	MATERIAL (more options available)	
1	BODY	ASTM A351 Gr.CF8M	ASTM A216 Gr.WCB
4	BALL	ASTM A351 Gr.CF8M	
5	STEM	ASTM A276 Gr.SS316	
9	END CAP	ASTM A351 Gr.CF8M	ASTM A216 Gr.WCB
11	BODY SEAL	PTFE.	
12	SEAT	PTFE. + 50%SS316	
13	THRUST WASHER	PTFE.	
14	STEM PACKING	PTFE.	
15	GLAND BUSH	SS304	
19	HANDLE	SS304	
21	HANDLE COVER	PLASTIC	
22	STEM NUT	SS304	
23	HANDLE WASHER	SS304	
24	HANDLE NUT	SS304	
28	LOCKING PAD	SS304	
29	BELLEVILLE WASHER	SS301	
30	TAB WASHER	SS304	
32	PACKING FOLLOWER	PTFE. + 25%G.F.	
31	O-RING	VITON®	
33	STOP PIN	SS304	
35	STUD (BODY BOLT)	ASTM A193 Gr.B8	ASTM A193 Gr.B7
37	BOLT NUT	ASTM A194 Gr.8	ASTM A194 Gr.2H

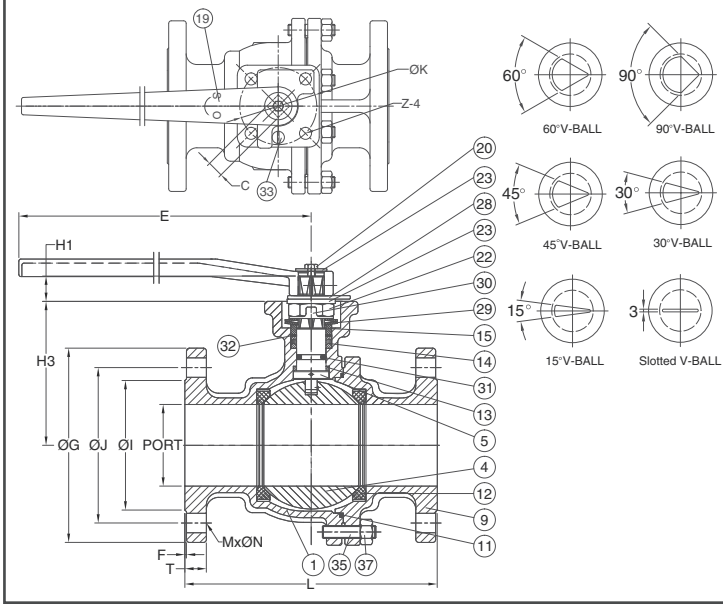
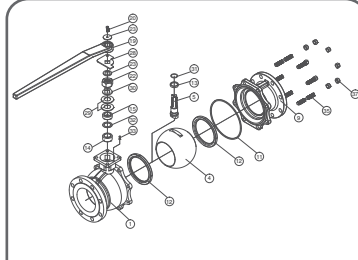
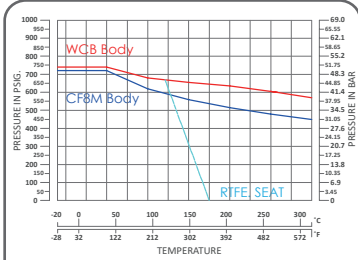
DIMENSION

															unit : mm		
SIZE	PORT	L	E	H2	H3	C	ØG	ØJ	ØI	T	F	MxØN	ØK	ØK1	Z-4	Z1-4	
DN15	1/2"	15.0	140	112	8.5	48.0	9	95.3	66.5	35.0	14.3	1.6	4xØ16	50/F05	36/F03	7.0	6.0
DN20	3/4"	20.0	152	112	8.5	53.5	9	117.4	82.6	43.0	15.9	1.6	4xØ19.1	50/F05	36/F03	7.0	6.0
DN25	1"	25.0	165	136	9.5	64.0	9	124.0	88.9	51.0	17.5	1.6	4xØ19.1	50/F05	36/F03	7.0	6.0
DN32	1-1/4"	32.0	178	185	9.5	71.0	9	133.4	98.6	63.5	19.1	1.6	4xØ19.1	50/F05	36/F03	7.0	6.0
DN40	1-1/2"	38.0	190	198	14.0	76.0	14	155.5	114.3	73.2	20.6	1.6	4xØ22.3	70/F07	50/F05	9.0	7.0
DN50	2"	50.0	216	198	13.7	84.5	14	165.1	127.0	92.0	22.4	1.6	8xØ19.1	70/F07	50/F05	9.0	7.0
DN65	2-1/2"	64.0	241	265	18.0	106.8	17	190.5	149.4	104.7	25.4	1.6	8xØ22.3	102/F10	70/F07	12.0	10.0
DN80	3"	76.0	283	265	18.0	116.0	17	209.6	168.1	127.0	28.6	1.6	8xØ22.3	102/F10	70/F07	12.0	10.0
DN100	4"	100.0	305	325	18.0	154.5	17	254.0	200.2	157.2	31.8	1.6	8xØ22.3	102/F10	70/F07	12.0	10.0

DIMENSION

															unit : inch		
SIZE	PORT	L	E	H2	H3	C	ØG	ØJ	ØI	T	F	MxØN	ØK	ØK1	Z-4	Z1-4	
DN15	1/2"	0.59	5.51	4.41	0.33	1.89	0.35	3.75	2.62	1.38	0.56	0.06	4xØ0.63	1.97/F05	1.42/F03	0.28	0.24
DN20	3/4"	0.79	5.98	4.41	0.33	2.11	0.35	4.62	3.25	1.69	0.63	0.06	4xØ0.75	1.97/F05	1.42/F03	0.28	0.24
DN25	1"	0.98	6.50	5.35	0.45	2.52	0.35	4.88	3.50	2.01	0.69	0.06	4xØ0.75	1.97/F05	1.42/F03	0.28	0.24
DN32	1-1/4"	1.26	7.01	7.28	0.45	2.80	0.35	5.25	3.88	2.50	0.75	0.06	4xØ0.75	1.97/F05	1.42/F03	0.28	0.24
DN40	1-1/2"	1.50	7.48	7.80	0.55	2.99	0.55	6.12	4.50	2.88	0.81	0.06	4xØ0.88	2.76/F07	1.97/F05	0.35	0.28
DN50	2"	1.97	8.50	7.80	0.54	3.33	0.55	6.50	5.00	3.62	0.88	0.06	8xØ0.75	2.76/F07	1.97/F05	0.35	0.28
DN65	2-1/2"	2.52	9.49	10.43	0.71	4.20	0.67	7.50	5.88	4.12	1.00	0.06	8xØ0.88	4.02/F10	2.76/F07	0.43	0.35
DN80	3"	3.15	11.14	10.43	0.71	4.57	0.67	8.25	6.62	5.00	1.13	0.06	8xØ0.88	4.02/F10	2.76/F07	0.43	0.35
DN100	4"	3.86	12.01	12.80	0.71	6.08	0.67	10.00	7.88	6.19	1.25	0.06	8xØ0.88	4.02/F10	2.76/F07	0.43	0.35

CRN
 CERTIFICATED



FEATURES

- Investment Cast Body Construction
- 2 Pieces Body Design
- ISO 5211 Direct Mounting Flange
- Blow-Out-Proof Stem & Anti-Static Device Design
- Available for 15°、30°、45°、60°、90°、Slotted V-Ball
- Available for Pneumatic or Electric Actuator
- NACE MR0175 is available upon request
- Super Alloy materials for highly corrosive medium are available upon request

AUTOMATION AVAILABLE

SPECIFICATIONS

- Size Range: 1/2" ~ 6" (DN15 ~ DN150)
- End Connection: Flanged End, RF
- Working Pressure: CF8M - 720 PSI (CWP)
WCB - 740 PSI (CWP)
- Steam Pressure: 150 PSIG. Saturated Steam for RTFE.
- Temperature Range: -4 to 356 °F (-20 to 180 °C) for RTFE.

STANDARDS

- Design: ASME/ANSI B16.34 / API 608
- Mounting Flange: ISO 5211
- Face to Face: ASME/ANSI B16.10 Class 300
- Flange Dimension: ASME/ANSI B16.5 Class 300 RF
- Material: ASTM
- Pressure Testing: API 598

CERTIFICATE

- Fire Safe **OPTION**: API 607 Fire Safe Design
- Quality Assurance: ISO 9001
- Material Certificate: EN 10204-3.1 MTR
- CE Approval: PED 97/23/EC Module H
- Canadian Certificate: CRN

MATERIAL LIST

NO.	PART NAME	MATERIAL (more options available)	
1	BODY	ASTM A351 Gr.CF8M	ASTM A216 Gr.WCB
4	BALL	ASTM A351 Gr.CF8M	
5	STEM	ASTM A276 Gr.SS316	
9	END CAP	ASTM A351 Gr.CF8M	ASTM A216 Gr.WCB
11	BODY SEAL	PTFE.	
12	SEAT	PTFE. + 50%SS316	
13	THRUST WASHER	PTFE.	
14	STEM PACKING	PTFE.	
15	GLAND BUSH	SS304	
19	HANDLE	FCD45	
20	HANDLE BOLT	SS304	
22	STEM NUT	SS304	
23	HANDLE WASHER	SS304	
28	STOP PLATE	SS304	
29	BELLEVILLE WASHER	SS301	
30	TAB WASHER	SS304	
31	STEM O-RING	VITON®	
32	PACKING FOLLOWER	PTFE. + 25%G.F.	
33	STOP PIN	SS304	
35	STUD (BODY BOLT)	ASTM A193 Gr.B8	ASTM A193 Gr.B7
37	BOLT NUT	ASTM A194 Gr.8	ASTM A194 Gr.2H

DIMENSION unit : mm

SIZE	PORT	L	E	H1	H3	C	ØG	ØJ	ØI	T	F	MxØN	ØK	Z	
DN125	5"	125.0	381	750	30.0	194.0	27	279.4	235.0	186.0	35.0	1.6	8xØ22.3	125/F12	14.0
DN150	6"	150.0	403	750	30.0	213.0	27	317.5	269.8	216.0	36.6	1.6	12xØ22.3	125/F12	14.0

DIMENSION unit : inch

SIZE	PORT	L	E	H1	H3	C	ØG	ØJ	ØI	T	F	MxØN	ØK	Z	
DN125	5"	4.92	15.00	29.53	1.18	7.64	1.06	11.00	8.50	7.32	1.38	0.06	8xØ0.88	4.92/F12	0.55
DN150	6"	5.91	15.87	29.53	1.18	8.39	1.06	12.50	9.50	8.50	1.44	0.06	12xØ0.88	4.92/F12	0.55