

Fig No. VF-28

1/2" ~ 6" DN15 ~ DN150



Feature :

- Investment Casting Component
- ISO 5211 Direct Mounting
- Blow-out-proof stem, Anti-Static Design
- For General Chemical and Industrial application
- Carbon steel or Super Alloy upon request

Standard Compliance:

- Body wall thickness : EN 12516-1/2
- Face to Face : EN 3202 F4/F5
- Flange Dimension : DIN 2501 PN40
- Body Material : EN 10213-4
- Pressure testing : EN 12266-1

Specifications :

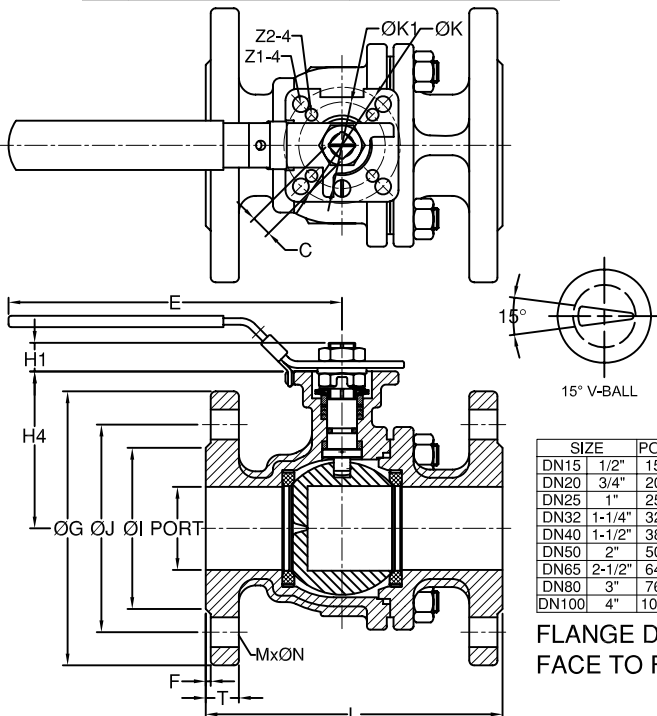
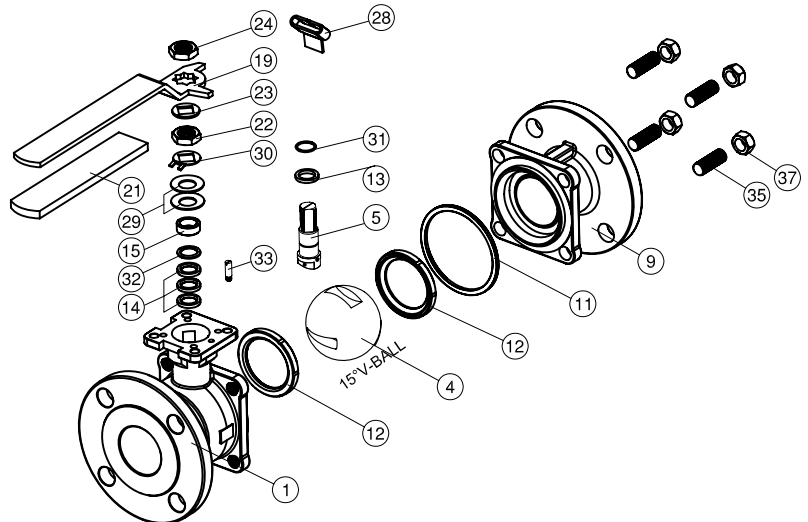
- End connection : Flange RF
- Working pressure : 38.8 Bar (CWP)
- Temperature : -20 ~180°C

Option :

- Fire safe design

MATERIALS LIST

| NO. | PART NAME | MATERIAL |
|-----|-------------------|-------------------|
| 1 | BODY | 1.4408/EN1503-1 |
| 4 | BALL | ASTM A351 Gr.CF8M |
| 5 | STEM | SS316 |
| 9 | END CAP | 1.4408/EN1503-1 |
| 11 | BODY SEAL | PTFE. |
| 12 | SEAT | 50%SS+50%PTFE. |
| 13 | THRUST WASHER | PTFE. |
| 14 | STEM PACKING | PTFE. |
| 15 | GLAND | SS304 |
| 19 | HANDLE | SS304 |
| 21 | HANDLE COVER | PLASTIC |
| 22 | STEM NUT | SS304 |
| 23 | HANDLE WASHER | SS304 |
| 24 | HANDLE NUT | SS304 |
| 28 | LOCKING PAD | SS304 |
| 29 | BELLEVILLE WASHER | SS304 |
| 30 | TAB WASHER | SS304 |
| 31 | STEM O-RING | VITON |
| 32 | PACKING FOLLOWER | RTFE. |
| 33 | STOP PIN | SS304 |
| 35 | BODY STUD | ASTM A193 Gr.B8 |
| 37 | BOLT NUT | ASTM A194 Gr.8 |



DIMENSIONS

unit:mm

| SIZE | PORT | L | E | H1 | H4 | C | ØG | ØJ | ØI | T | F | M | ØN | ØK | ØK1 | Z-4 | Z1-4 | |
|-------|--------|-------|-------|-------|------|-------|------|-------|-------|-------|------|-----|----|------|-------|------|------|-----|
| DN15 | 1/2" | 15.0 | 115.0 | 112.0 | 8.5 | 48.0 | 9.0 | 95.0 | 65.0 | 45.0 | 16.0 | 2.0 | 4 | 14.0 | 50.0 | 36.0 | 7.0 | 6.0 |
| DN20 | 3/4" | 20.0 | 120.0 | 112.0 | 8.5 | 62.0 | 9.0 | 105.0 | 75.0 | 58.0 | 18.0 | 2.0 | 4 | 14.0 | 50.0 | 36.0 | 7.0 | 6.0 |
| DN25 | 1" | 25.0 | 125.0 | 136.0 | 11.4 | 64.0 | 9.0 | 115.0 | 85.0 | 68.0 | 18.0 | 2.0 | 4 | 14.0 | 50.0 | 36.0 | 7.0 | 6.0 |
| DN32 | 1-1/4" | 32.0 | 130.0 | 185.0 | 11.4 | 71.0 | 9.0 | 140.0 | 100.0 | 78.0 | 18.0 | 2.0 | 4 | 18.0 | 50.0 | 36.0 | 7.0 | 6.0 |
| DN40 | 1-1/2" | 38.0 | 140.0 | 198.0 | 14.0 | 76.0 | 14.0 | 150.0 | 110.0 | 88.0 | 18.0 | 2.0 | 4 | 18.0 | 70.0 | 50.0 | 9.0 | 7.0 |
| DN50 | 2" | 50.0 | 150.0 | 198.0 | 13.7 | 84.5 | 14.0 | 165.0 | 125.0 | 102.0 | 20.0 | 2.0 | 4 | 18.0 | 70.0 | 50.0 | 9.0 | 7.0 |
| DN65 | 2-1/2" | 64.0 | 170.0 | 265.0 | 18.0 | 106.8 | 17.0 | 185.0 | 145.0 | 122.0 | 22.0 | 2.0 | 8 | 18.0 | 102.0 | 70.0 | 11.0 | 9.0 |
| DN80 | 3" | 76.0 | 180.0 | 265.0 | 18.0 | 116.0 | 17.0 | 200.0 | 160.0 | 138.0 | 24.0 | 2.0 | 8 | 18.0 | 102.0 | 70.0 | 11.0 | 9.0 |
| DN100 | 4" | 100.0 | 190.0 | 325.0 | 18.0 | 154.5 | 17.0 | 235.0 | 190.0 | 158.0 | 24.0 | 2.0 | 8 | 22.0 | 102.0 | 70.0 | 11.0 | 9.0 |

FLANGE DIMENSION: EN 1092-1 TYPE 21 RF SF
FACE TO FACE: EN558-1 F4 (DIN3202 F4)

Fig No. VF-28

1/2" ~ 6" DN15 ~ DN150



Feature :

- Investment Casting Component
- ISO 5211 Direct Mounting
- Blow-out-proof stem, Anti-Static Design
- For General Chemical and Industrial application
- Carbon steel or Super Alloy upon request

Standard Compliance:

- Body wall thickness : EN 12516-1/2
- Face to Face : EN 3202 F4/F5
- Flange Dimension : DIN 2501 PN40
- Body Material : EN 10213-4
- Pressure testing : EN 12266-1

Specifications :

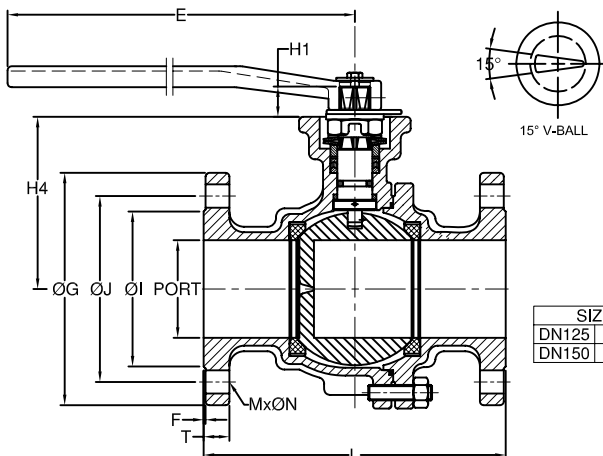
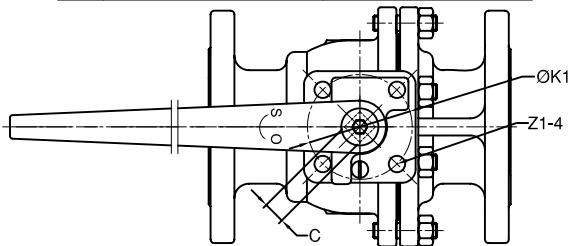
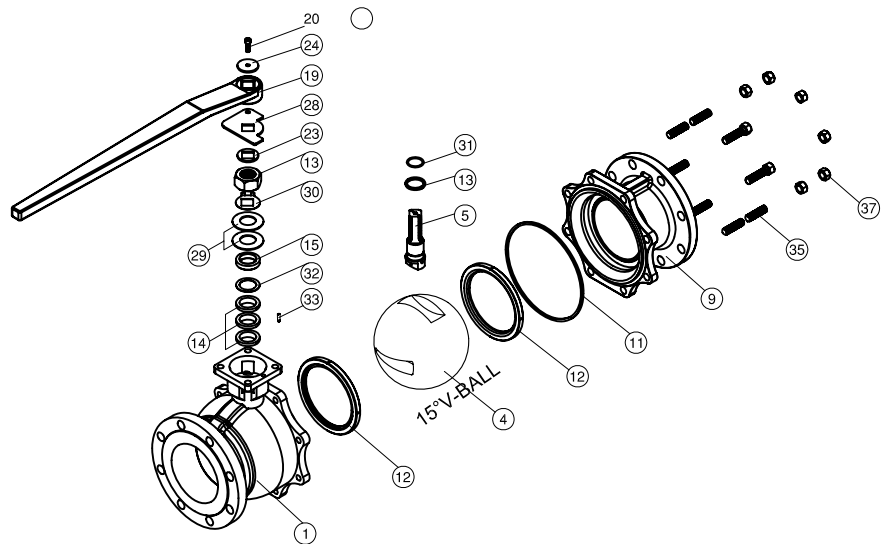
- End connection : Flange RF
- Working pressure : 38.8 Bar (CWP)
- Temperature : -20 ~180°C

Option :

- Fire safe design

MATERIALS LIST

| NO. | PART NAME | MATERIAL |
|-----|-------------------|-------------------|
| 1 | BODY | 1.4408/EN1503-1 |
| 4 | BALL | ASTM A351 Gr.CF8M |
| 5 | STEM | SS316 |
| 9 | END CAP | 1.4408/EN1503-1 |
| 11 | BODY SEAL | PTFE. |
| 12 | SEAT | 50%SS+50%PTFE. |
| 13 | THRUST WASHER | PTFE. |
| 14 | STEM PACKING | PTFE. |
| 15 | GLAND | SS304 |
| 19 | HANDLE | FCD45 |
| 20 | SET SCREW | SS304 |
| 22 | STEM NUT | SS304 |
| 23 | HANDLE WASHER | SS304 |
| 24 | HANDLE NUT | SS304 |
| 28 | TRIANGLE STOPPER | SS304 |
| 29 | BELLEVILLE WASHER | SS304 |
| 30 | TAB WASHER | SS304 |
| 31 | STEM O-RING | VITON |
| 32 | PACKING FOLLOWER | RTFE. |
| 33 | STOP PIN | SS304 |
| 35 | BODY STUD | ASTM A193 Gr.B8 |
| 37 | BOLT NUT | ASTM A194 Gr.8 |



DIMENSIONS

unit:mm

| SIZE | PORT | L | E | H1 | H4 | C | ØG | ØJ | ØI | T | F | M | ØN | ØK1 | Z1-4 | |
|-------|------|-------|-------|-------|------|-------|------|-------|-------|-------|------|-----|----|------|-------|------|
| DN125 | 5" | 125.0 | 325.0 | 750.0 | 30.0 | 194.0 | 27.0 | 270.0 | 220.0 | 188.0 | 26.0 | 2.0 | 8 | 26.0 | 125.0 | 14.0 |
| DN150 | 6" | 150.0 | 350.0 | 750.0 | 30.0 | 213.0 | 27.0 | 300.0 | 250.0 | 218.0 | 28.0 | 2.0 | 8 | 26.0 | 125.0 | 14.0 |