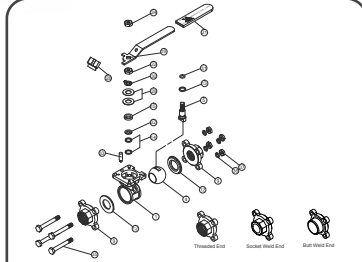
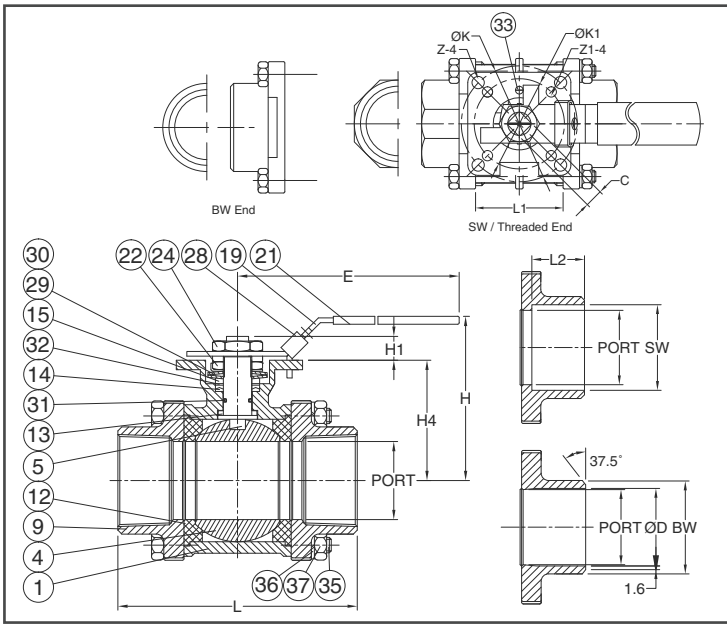


PN63/40 P-T Chart



Explosion Drawing



FEATURES

- Investment Cast Body Construction
- 3 Pieces Body Design
- Integral Seat & Body Seal Design **OPTION**
- ISO 5211 Direct Mounting Flange
- Blow-Out-Proof Stem Design & Anti-Static Device
- Available for Pneumatic or Electric Actuator
- NACE MR0175 is available upon request
- Super Alloy materials for highly corrosive medium are available upon request

AUTOMATION AVAILABLE

SPECIFICATIONS

- Size Range DN8 ~ DN100 (1/4" ~ 4")
- End Connection Threaded / Socket / Butt Weld Ends
- Working Pressure PN63 for DN8 ~ DN50 / 1000 PSI (CWP) for 1/4" ~ 2" / PN40 for DN65 ~ DN100 / 800 PSI (CWP) for 2-1/2" ~ 4"
- Steam Pressure 150 PSIG. Saturated Steam for RTFE.
- Temperature Range -4 to 356 °F (-20 to 180 °C) for RTFE.

STANDARDS

- Design EN 12516-1/2/3
- Mounting Flange ISO 5211
- Threaded End NPT/ BS 21 (BSP) / BSPT / ISO 228-1 / DIN 2999 / ISO 7-1Rp
- Socket Weld End ASME/ANSI B16.11
- Butt Weld End ASME/ANSI B16.25
- Face to Face MFG (Option for DIN 3202 M3/S13)
- Material EN1503-1
- Pressure Testing EN 12266

CERTIFICATE

- Fugitive Emission TA-LUFT
- Quality Assurance ISO 9001
- Material Certificate EN 10204-3.1 MTR
- CE Approval PED 2014/68/EU Module H

MATERIAL LIST

| NO. | PART NAME | MATERIAL (more options available) |
|-----|-------------------|--|
| 1 | BODY | EN1503-1 1.4408 EN1503-1 1.0619 |
| 4 | BALL | ASTM A351 Gr.CF8M |
| 5 | STEM | ASTM A276 Gr.316 |
| 9 | END CAP | EN1503-1 1.4408 EN1503-1 1.0619 |
| 12 | SEAT | RTFE.(15%G.F.) |
| 13 | THRUST WASHER | RTFE.(15%G.F.) |
| 14 | STEM PACKING | RTFE.(15%G.F.) |
| 15 | GLAND BUSH | SS304 |
| 19 | HANDLE | SS304 |
| 21 | HANDLE COVER | VINYL GRIP. |
| 22 | STEM NUT | SS304 |
| 24 | HANDLE NUT | SS304 |
| 28 | LOCKING DEVICE | SS304 |
| 29 | BELLEVILLE WASHER | SS304-CSP |
| 30 | TAB WASHER | SS304 |
| 31 | O-RING | VITON® |
| 32 | PACKING FOLLOWER | PTFE.+25%G.F. |
| 33 | STOP PIN | SS304 |
| 35 | BODY BOLT | SS304 |
| 36 | BOLT WASHER | SS304 |
| 37 | BOLT NUT | SS304 |

DIMENSION

| SIZE | PORT TH/SW | unit : mm | | | | | | | | | | | | | | | | | | |
|-------|------------|-----------|-------|-------|------|-------|-------|------|-------|------|-----|-----|----|-----|---------|-----|-------|-------|-------|-------|
| | | L | L1 | L2 | E | H | H1 | H4 | C | ØK | ØK1 | Z | Z1 | SW | PORT BW | ØD | BW | | | |
| DN8 | 1/4" | 11.5 | 63.5 | 22.5 | 10.0 | 112.0 | 73.0 | 8.5 | 37.0 | 9.0 | 50 | F05 | 36 | F03 | 7.0 | 6.0 | 14.2 | 11.0 | 11.0 | 13.7 |
| DN10 | 3/8" | 12.5 | 63.5 | 22.5 | 10.0 | 112.0 | 73.0 | 8.5 | 37.0 | 9.0 | 50 | F05 | 36 | F03 | 7.0 | 6.0 | 17.5 | 12.5 | 12.5 | 17.1 |
| DN15 | 1/2" | 15.0 | 63.5 | 22.5 | 10.0 | 112.0 | 73.0 | 8.5 | 37.0 | 9.0 | 50 | F05 | 36 | F03 | 7.0 | 6.0 | 21.8 | 15.0 | 15.8 | 21.3 |
| DN20 | 3/4" | 20.0 | 72.5 | 27.5 | 13.0 | 112.0 | 80.8 | 8.5 | 45.0 | 9.0 | 50 | F05 | 36 | F03 | 7.0 | 6.0 | 27.4 | 20.0 | 20.9 | 26.7 |
| DN25 | 1" | 25.0 | 81.0 | 34.0 | 13.0 | 136.0 | 90.5 | 9.5 | 53.5 | 9.0 | 50 | F05 | 36 | F03 | 7.0 | 6.0 | 34.1 | 25.0 | 26.6 | 33.4 |
| DN32 | 1-1/4" | 32.0 | 94.5 | 42.5 | 13.0 | 185.0 | 98.7 | 9.5 | 59.0 | 9.0 | 50 | F05 | 36 | F03 | 7.0 | 6.0 | 42.7 | 32.0 | 35.1 | 42.2 |
| DN40 | 1-1/2" | 38.0 | 108.0 | 52.0 | 13.0 | 197.9 | 115.3 | 14.0 | 74.8 | 14.0 | 70 | F07 | 50 | F05 | 9.0 | 7.0 | 49.0 | 38.1 | 40.9 | 48.3 |
| DN50 | 2" | 50.0 | 121.5 | 63.5 | 16.0 | 197.9 | 124.0 | 13.7 | 83.5 | 14.0 | 70 | F07 | 50 | F05 | 9.0 | 7.0 | 61.0 | 50.0 | 52.5 | 60.3 |
| DN65 | 2-1/2" | 65.0 | 157.5 | 85.5 | 16.0 | 267.0 | 155.0 | 18.0 | 108.8 | 17.0 | 102 | F10 | 70 | F07 | 11.0 | 9.0 | 77.0 | 62.7 | 62.7 | 73.0 |
| DN80 | 3" | 80.0 | 190.0 | 102.0 | 16.0 | 267.0 | 164.5 | 18.0 | 118.3 | 17.0 | 102 | F10 | 70 | F07 | 11.0 | 9.0 | 90.2 | 77.9 | 77.9 | 88.9 |
| DN100 | 4" | 100.0 | 225.0 | 128.5 | 22.0 | 322.0 | 216.7 | 18.0 | 153.8 | 22.0 | 102 | F10 | 70 | F07 | 11.0 | 9.0 | 115.3 | 100.0 | 102.3 | 114.3 |

DIMENSION

| SIZE | PORT TH/SW | unit : inch | | | | | | | | | | | | | | | | | | |
|-------|------------|-------------|------|------|------|-------|------|------|------|------|------|-----|------|-----|---------|------|------|------|------|------|
| | | L | L1 | L2 | E | H | H1 | H4 | C | ØK | ØK1 | Z | Z1 | SW | PORT BW | ØD | BW | | | |
| DN8 | 1/4" | 0.45 | 2.50 | 0.89 | 3.39 | 4.41 | 2.87 | 0.33 | 1.46 | 0.35 | 1.97 | F05 | 1.42 | F03 | 0.28 | 0.24 | 0.56 | 0.43 | 0.43 | 0.54 |
| DN10 | 3/8" | 0.49 | 2.50 | 0.89 | 3.39 | 4.41 | 2.87 | 0.33 | 1.46 | 0.35 | 1.97 | F05 | 1.42 | F03 | 0.28 | 0.24 | 0.69 | 0.49 | 0.49 | 0.67 |
| DN15 | 1/2" | 0.59 | 2.50 | 0.89 | 3.39 | 4.41 | 2.87 | 0.33 | 1.46 | 0.35 | 1.97 | F05 | 1.42 | F03 | 0.28 | 0.24 | 0.86 | 0.59 | 0.62 | 0.84 |
| DN20 | 3/4" | 0.79 | 2.85 | 1.08 | 0.51 | 4.41 | 3.18 | 0.33 | 1.77 | 0.35 | 1.97 | F05 | 1.42 | F03 | 0.28 | 0.24 | 1.08 | 0.79 | 0.82 | 1.05 |
| DN25 | 1" | 0.98 | 3.19 | 1.34 | 0.51 | 5.35 | 3.56 | 0.37 | 2.11 | 0.35 | 1.97 | F05 | 1.42 | F03 | 0.28 | 0.24 | 1.34 | 0.98 | 1.05 | 1.31 |
| DN32 | 1-1/4" | 1.26 | 3.72 | 1.67 | 0.51 | 7.28 | 3.89 | 0.37 | 2.32 | 0.35 | 1.97 | F05 | 1.42 | F03 | 0.28 | 0.24 | 1.68 | 1.26 | 1.38 | 1.66 |
| DN40 | 1-1/2" | 1.50 | 4.25 | 2.05 | 0.51 | 7.79 | 4.54 | 0.55 | 2.94 | 0.55 | 2.76 | F07 | 1.97 | F05 | 0.35 | 0.28 | 1.93 | 1.50 | 1.61 | 1.90 |
| DN50 | 2" | 1.97 | 4.78 | 2.50 | 0.63 | 7.79 | 4.88 | 0.54 | 3.29 | 0.55 | 2.76 | F07 | 1.97 | F05 | 0.35 | 0.28 | 2.40 | 1.97 | 2.07 | 2.37 |
| DN65 | 2-1/2" | 2.56 | 6.20 | 3.37 | 0.63 | 10.51 | 6.10 | 0.71 | 4.28 | 0.67 | 4.02 | F10 | 2.76 | F07 | 0.43 | 0.35 | 3.03 | 2.47 | 2.47 | 2.87 |
| DN80 | 3" | 3.15 | 7.48 | 4.02 | 0.63 | 10.51 | 6.48 | 0.71 | 4.66 | 0.67 | 4.02 | F10 | 2.76 | F07 | 0.43 | 0.35 | 3.55 | 3.07 | 3.07 | 3.50 |
| DN100 | 4" | 3.94 | 8.86 | 5.06 | 0.87 | 12.68 | 8.53 | 0.71 | 6.06 | 0.87 | 4.02 | F10 | 2.76 | F07 | 0.43 | 0.35 | 4.54 | 3.94 | 4.03 | 4.50 |