



**Fig No: MD-63-900 Reduce Bore**

**3"x2"~36"x30"**



**Feature:**

- Design: API6D, ASME B16.34, API607/ API6FA fire safe design
- Side entry ball
- Anti-static design, Anti blow-out-stem
- Carbon steel or special alloy upon request
- Cast steel are also supplied in full compliance with NACE MR0175

**Service:**

General, Low Temperature, Cryogenic, Sub sea, Oil & Gas application, High temperature, Underground

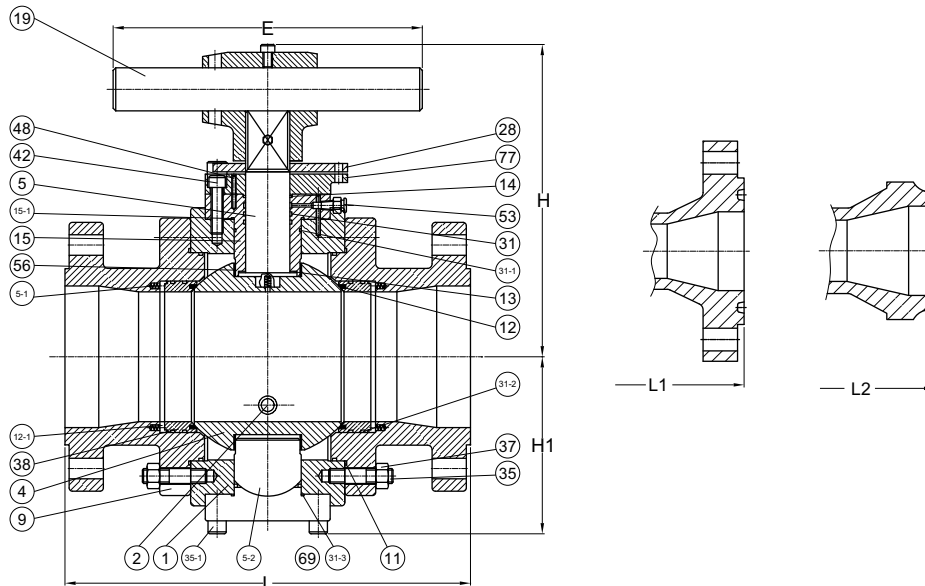
**Design:**

- 3-pc Design, by forged
- Reduce Bore
- Face to face: ASME B16.10
- Flange connection: ASME B16.5 Class 900 RF ( Above size 26", which would compliance with ASME B16.47 )
- Pressure-Temperature Rating: ASME/ANSI B16.34
- Testing and inspection: API6D, API598
- Automatically Drain Plug (NPT) on Body( 2"~4" - option, Upward 6" - Basic function )
- Double bleed and Block ( 2"~4" - option, Upward 6" - Basic function )
- Sealant Emergently Injection Fittings ( 2"~4" - option, Upward 6" - Basic function )

**Options:**

- With Locking Device
- Extended Stem ( Cryogenic application )
- Actuator installation
- Gear Box

**Size:3"x2"~8"x4"**



**DIMENSIONS(CLASS 900Lb)**

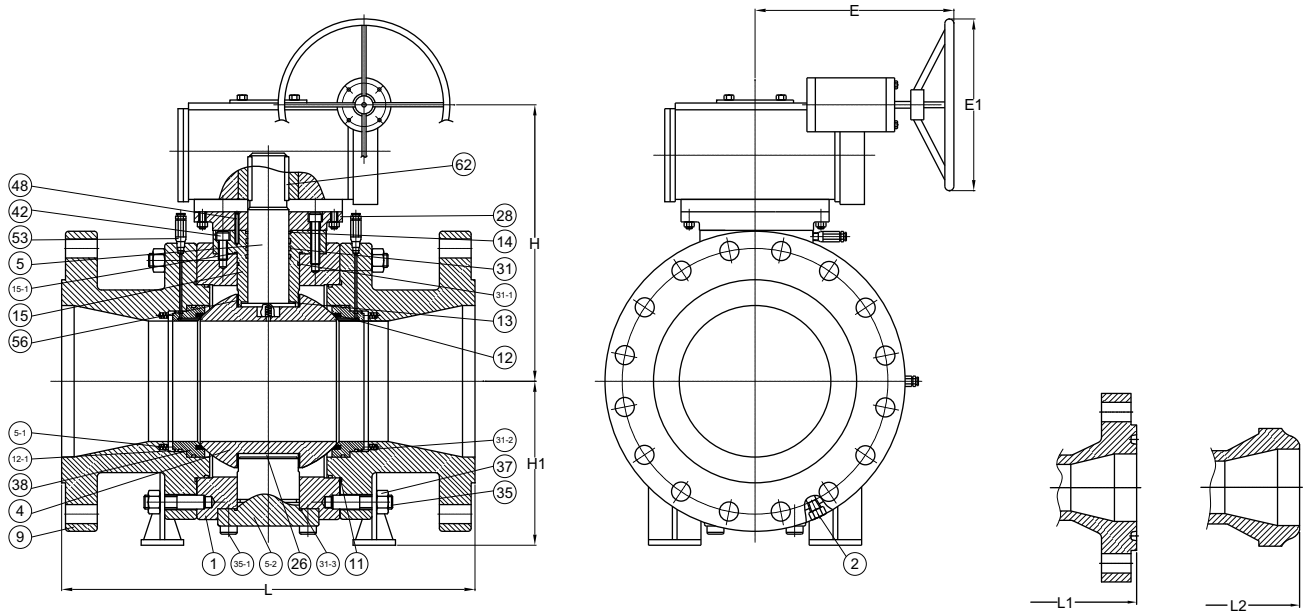
unit:mm

SIZE		L	L1	L2	E	H	H1	Wt (kg)
DN80XDN50	3"x2" Ⓜ	381.0	384.0	381.0	500.0	217.0	118.5	52.0
DN80XDN65	3"x2-1/2" Ⓜ	381.0	384.0	381.0	600.0	241.0	133.0	66.0
DN100XDN65	4"x2-1/2" Ⓜ	457.0	460.0	457.0	600.0	241.0	133.0	80.0
DN100XDN80	4"x3" Ⓜ	457.0	460.0	457.0	900.0	259.0	141.0	97.0
DN150XDN80	6"x3" Ⓜ	610.0	613.0	610.0	900.0	259.0	141.0	158.0
DN150XDN100	6"x4" Ⓜ	610.0	613.0	610.0	1000.0	297.0	167.0	203.0
DN200XDN100	8"x4" Ⓜ	737.0	740.0	737.0	1000.0	297.0	167.0	292.0



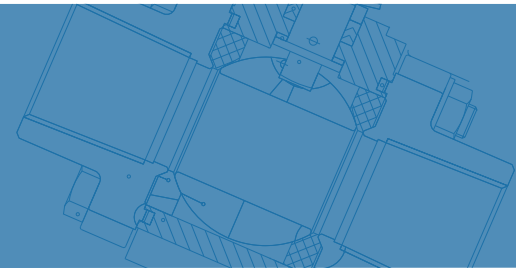
Fig No: MD-63-900 Reduce Bore

Size:8"x6"~20"x18"



**MATERIALS LIST**

NO.	DESCRIPTION	MATERIAL
1	BODY	A105,A350-LF2,A182-F304,F316,F304L,F316L,F321,F51,F53
2	DRAIN VALVE AND PLUG	1025,SS304,SS316,SS304L,SS316L,SS321,F51,F53
4	BALL	A105+ENP,A182-F8,F304,F316,F304L,F316L,F321,F51,F53
5	STEM	1045+ENP,A182-F6,F304,F316,F304L,F316L,F321,F51,F53,4140+ENP,17-4PH
5-1	SPRING	SS304,INCONE,1566+ENP
5-2	TRUNNION	1045+ENP,A182-F6,F304,F316,F304L,F316L,F321,F51,F53,4140+ENP,17-4PH
9	ADAPTER	A105,A350-LF2,A182-F304,F316,F304L,F316L,F321,F51,F53
11	GASKET	SS304,SS316+FLEXIBLE GRAPHITE SPIRAL WOUND
12	SEAT	PTFE,RTFE,PEEK,PPL,POM,KARBATE,NYLON,MOLON,DEVLON
12-1	SEAT RING	A105+ENP,A182-F8,F304,F316,F304L,F316L,F321,F51,F53
13	THRUST WASHER	PTFE,RTFE,STAINLESS STEEL+N
14	PACKING	FLEXIBLE GRAPHITE
15	STUFFING BOX	A105+ENP,A182-F8,F304,F316,F304L,F316L,F321,F51,F53
15-1	SEALING RING	SS304,SS316+FLEXIBLE GRAPHITE SPIRAL WOUND
28	CONNECTION PLATE	1025,A216 WCB,A351 CF8
31	O-RING	VITON
31-1	O-RING	NBR,VITON
31-2	O-RING	VITON
31-3	O-RING	NBR,VITON
35	BOLT	A194-B7,B7M,B8,B8M
35-1	SCREW	1035,STAINLESS STEEL
37	NUT	A194-2H,2HM,8,8M
38	SEALING RING	FLEXIBLE GRAPHITE
42	SCREW	1035,STAINLESS STEEL
48	PIN	ANSI 1566,STAINLESS STEEL
53	GREASE FITTING	1025,SS304,SS316,SS304L,SS316L,SS321,F51,F53
56	BEARING	1045+RPTFE.,SS304+RPTFFE.,SS316+RPTFE.
62	KEY	1045
69	ADJUSTING RING	PTFE,1045+RPTFE,STAINLESS STEEL+RPTFE



**Fig No: MD-63-900 Reduce Bore**

**DIMENSIONS(CLASS 900Lb)**

unit:mm

SIZE		L	L1	L2	E	E1	H	H1	Wtl (kg)	Wtll (kg)
DN200XDN150	8"X6" ©	737.0	740.0	737.0	380.0	400.0	360.0	250.0	462.0	440.0
DN250XDN150	10"X6" ®	838.0	841.0	838.0	380.0	400.0	360.0	250.0	--	--
DN250XDN200	10"X8" ©	838.0	841.0	838.0	430.0	450.0	394.0	280.0	719.0	685.0
DN300XDN200	12"X8" ®	965.0	968.0	965.0	430.0	450.0	394.0	280.0	--	--
DN300XDN250	12"X10" ©	965.0	968.0	965.0	510.0	500.0	502.0	325.0	1066.0	1015.0
DN350XDN250	14"X10" ®	1029.0	1038.0	1029.0	510.0	500.0	502.0	325.0	1216.0	1158.0
DN400XDN250	16"X10" ®	1130.0	1140.0	1130.0	510.0	500.0	502.0	325.0	--	--
DN350XDN300	14"X12" ©	1029.0	1038.0	1029.0	510.0	500.0	572.0	380.0	1638.0	1560.0
DN400XDN300	16"X12" ©	1130.0	1140.0	1130.0	510.0	500.0	572.0	380.0	1722.0	1640.0
DN450XDN300	18"X12" ®	1219.0	1232.0	1219.0	510.0	500.0	572.0	380.0	--	--
DN400XDN350	16"X14" ©	1130.0	1140.0	1130.0	530.0	550.0	675.0	395.0	1927.0	1835.0
DN450XDN350	18"X14" ©	1219.0	1232.0	1219.0	530.0	550.0	675.0	395.0	--	--
DN500XDN350	20"X14" ®	1321.0	1334.0	1321.0	530.0	550.0	675.0	395.0	--	--
DN450XDN400	18"X16" ©	1219.0	1232.0	1219.0	530.0	550.0	627.0	406.0	2533.0	2412.0
DN500XDN400	20"X16" ©	1321.0	1334.0	1321.0	530.0	550.0	627.0	406.0	2933.0	2793.0
DN500XDN450	20"X18" ©	1321.0	1334.0	1321.0	530.0	550.0	731.0	418.0	3234.0	3080.0
DN600XDN500	24"X20" ©	1549.0	1568.0	1549.0	530.0	550.0	820.0	561.0	4867.0	4635.0
DN750XDN600	30"X24" ©	1880.0	1902.0	1880.0	--	914.0	853.0	634.0	8998.0	8570.0
DN700XDN650	28"X26" ©	1753.0	1775.0	1753.0	--	914.0	909.0	725.0	--	--
DN750XDN700	30"X28" ©	1880.0	1902.0	1880.0	--	914.0	980.0	765.0	--	--
DN800XDN750	32"X30" ©	2032.0	2054.0	2032.0	--	914.0	1095.0	810.0	--	--
DN900XDN750	36"X30" ©	2286.0	2315.0	2286.0	--	914.0	1095.0	810.0	13818.0	13160.0

\* ® Reduce Bore © Regular Bore

\* Modentic Reserves The Rights To Change Any Details Without Prior Notice.