



**Fig No: MD-63-600 Reduce Bore**  
**3"x2"~36"x30"**



**Feature:**

- Design: API6D, ASME B16.34, API607/ API6FA fire safe design
- Side entry ball
- Anti-static design, Anti blow-out-stem
- Carbon steel or special alloy upon request
- Cast steel are also supplied in full compliance with NACE MR0175

**Service:**

General, Low Temperature, Cryogenic, Sub sea, Oil & Gas application, High temperature, Underground

**Design:**

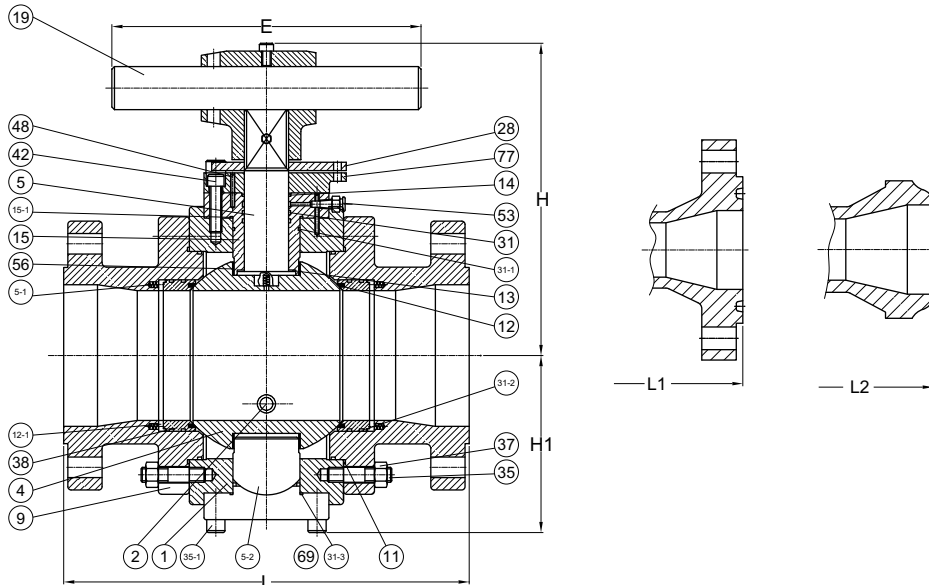
- 3-pc Design, by forged
- Reduce Bore
- Face to face: ASME B16.10
- Flange connection: ASME B16.5 Class 600 RF ( Above size 26", which would compliance with ASME B16.47 )
- Pressure-Temperature Rating: ASME/ANSI B16.34
- Testing and inspection: API6D, API598

- Automatically Drain Plug (NPT) on Body( 2"~4" - option, Upward 6" - Basic function )
- Double bleed and Block ( 2"~4" - option, Upward 6" - Basic function )
- Sealant Emergently Injection Fittings ( 2"~4" - option, Upward 6" - Basic function )

**Options:**

- With Locking Device
- Extended Stem ( Cryogenic application )
- Actuator installation
- Gear Box

Size:3"x2"~8"x4"



**DIMENSIONS(CLASS 600Lb)**

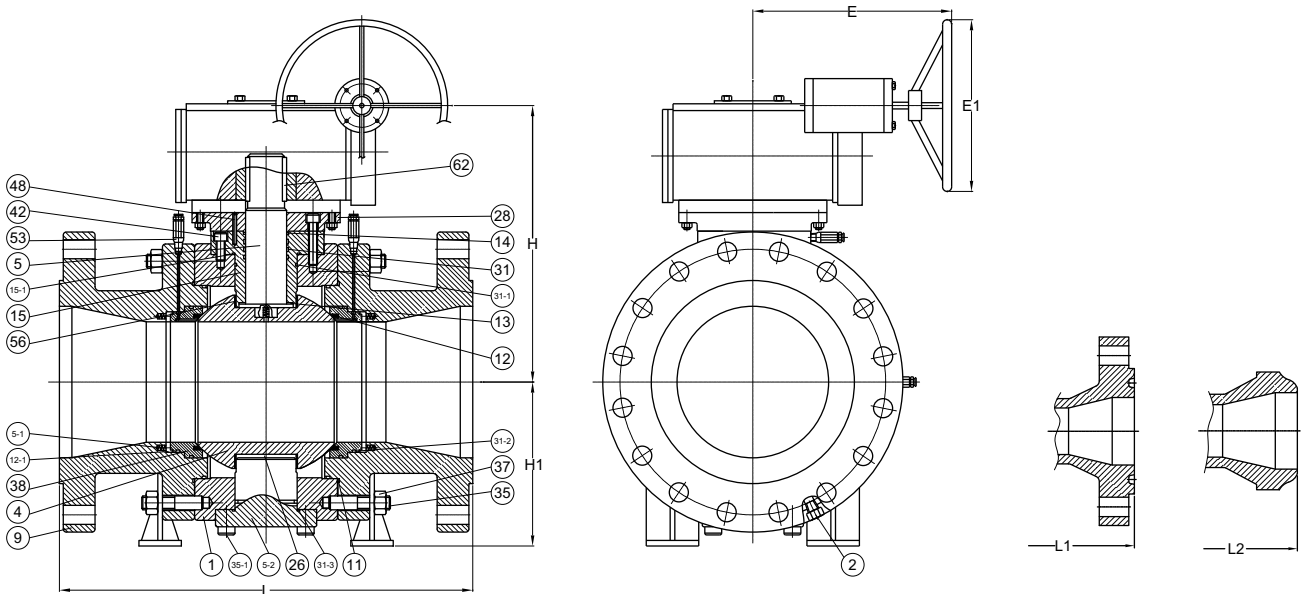
unit:mm

SIZE	L	L1	L2	E	H	H1	Wt (kg)
DN80XDN50 3"x2" ®	356.0	359.0	356.0	500.0	195.0	100.0	42.0
DN80XDN65 3"x2-1/2" ©	356.0	359.0	356.0	600.0	210.0	115.0	45.0
DN100XDN65 4"x2-1/2" ®	432.0	435.0	432.0	600.0	210.0	115.0	69.0
DN100XDN80 4"x3" ©	432.0	435.0	432.0	700.0	247.0	126.0	85.0
DN150XDN80 6"x3" ®	559.0	562.0	559.0	700.0	247.0	126.0	128.0
DN150XDN100 6"x4" ©	559.0	562.0	559.0	900.0	275.0	154.0	146.0
DN200XDN100 8"x4" ®	660.0	664.0	660.0	900.0	275.0	154.0	178.0



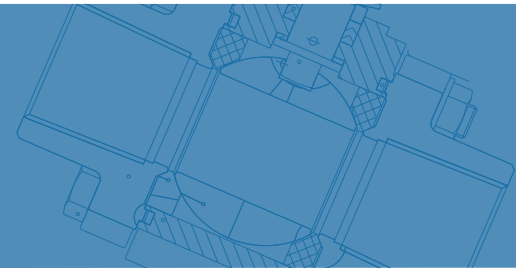
**Fig No: MD-63-600 Reduce Bore**

Size: 8"x6"~24"x22"



### MATERIALS LIST

NO.	DESCRIPTION	MATERIAL
1	BODY	A105,A350-LF2,A182-F304,F316,F304L,F316L,F321,F51,F53
2	DRAIN VALVE AND PLUG	1025,SS304,SS316,SS304L,SS316L,SS321,F51,F53
4	BALL	A105+ENP,A182-F8,F304,F316,F304L,F316L,F321,F51,F53
5	STEM	1045+ENP,A182-F6,F304,F316,F304L,F316L,F321,F51,F53,4140+ENP,17-4PH
9	ADAPTER	A105,A350-LF2,A182-F304,F316,F304L,F316L,F321,F51,F53
11	GASKET	SS304,SS316+FLEXIBLE GRAPHITE SPIRAL WOUND
12	SEAT	PTFE,RTFE,PEEK,PPL,POM,KARBATE,NYLON,MOLON,DEVLON
12-1	SEAT RING	A105+ENP,A182-F8,F304,F316,F304L,F316L,F321,F51,F53
13	THRUST WASHER	PTFE,RTFE,STAINLESS STEEL+N
14	PACKING	FLEXIBLE GRAPHITE
15	STUFFING BOX	A105+ENP,A182-F8,F304,F316,F304L,F316L,F321,F51,F53
15-1	SEALING RING	SS304,SS316+FLEXIBLE GRAPHITE SPIRAL WOUND
28	CONNECTION PLATE	1025,A216 WCB,A351 CF8
31	O-RING	VITON
31-1	O-RING	NBR,VITON
31-2	O-RING	VITON
35	BOLT	A194-B7,B7M,B8,B8M
37	NUT	A194-2H,2HM,8,8M
38	SEALING RING	FLEXIBLE GRAPHITE
42	SCREW	1035,STAINLESS STEEL
48	PIN	ANSI 1566,STAINLESS STEEL
48-1	PIN	1045,STAINLESS STEEL
53	GREASE FITTING	1025,SS304,SS316,SS304L,SS316L,SS321,F51,F53
56	BEARING	1045+RPTFE.,SS304+RPTFE.,SS316+RPTFE.
62	KEY	1045
69	ADJUSTING RING	PTFE,1045+RPTFE,STAINLESS STEEL+RPTFE
76	BEARING RETAINER	1025,A216-WCB,STAINLESS STEEL
77	SUPPORT LEG	1025



**Fig No: MD-63-600 Reduce Bore**

**DIMENSIONS(CLASS 600Lb)**

unit:mm

SIZE		L	L1	L2	E	E1	H	H1	WtI (kg)	WtII (kg)
DN200XDN150	8"X6" Ⓜ	660.0	664.0	660.0	270.0	300.0	305.0	198.0	284.0	270.0
DN250XDN150	10"X6" Ⓜ	787.0	791.0	787.0	270.0	300.0	305.0	198.0	--	--
DN250XDN200	10"X8" Ⓜ	787.0	791.0	787.0	380.0	400.0	365.0	252.0	600.0	572.0
DN300XDN200	12"X8" Ⓜ	838.0	841.0	838.0	380.0	400.0	365.0	252.0	--	--
DN300XDN250	12"X10" Ⓜ	838.0	841.0	838.0	342.0	400.0	400.0	299.0	790.0	760.0
DN350XDN250	14"X10" Ⓜ	889.0	892.0	889.0	342.0	400.0	400.0	299.0	830.0	790.0
DN400XDN250	16"X10" Ⓜ	991.0	994.0	991.0	342.0	400.0	400.0	299.0	--	--
DN350XDN300	14"X12" Ⓜ	889.0	892.0	889.0	380.0	400.0	449.0	343.0	1145.0	1090.0
DN400XDN300	16"X12" Ⓜ	991.0	994.0	991.0	380.0	400.0	449.0	343.0	1207.0	1150.0
DN450XDN300	18"X12" Ⓜ	1092.0	1095.0	1092.0	380.0	400.0	449.0	343.0	--	--
DN400XDN350	16"X14" Ⓜ	991.0	994.0	991.0	430.0	450.0	507.0	377.0	1411.0	1344.0
DN450XDN350	18"X14" Ⓜ	1092.0	1095.0	1092.0	430.0	450.0	507.0	377.0	--	--
DN500XDN350	20"X14" Ⓜ	1194.0	1200.0	1194.0	430.0	450.0	507.0	377.0	--	--
DN450XDN400	18"X16" Ⓜ	1092.0	1095.0	1092.0	510.0	550.0	543.0	416.0	1991.0	1896.0
DN500XDN400	20"X16" Ⓜ	1194.0	1200.0	1194.0	510.0	550.0	543.0	416.0	2090.0	1990.0
DN500XDN450	20"X18" Ⓜ	1194.0	1200.0	1194.0	510.0	500.0	623.0	455.0	2277.0	2169.0
DN600XDN500	24"X20" Ⓜ	1397.0	1407.0	1397.0	530.0	550.0	823.0	522.0	3318.0	3160.0
DN600XDN550	24"X22" Ⓜ	1397.0	1407.0	1397.0	--	812.0	845.0	592.0	--	--
DN750XDN600	30"X24" Ⓜ	1651.0	1664.0	1651.0	--	812.0	866.0	615.0	5554.0	5290.0
DN700XDN650	28"X26" Ⓜ	1549.0	1562.0	1549.0	--	812.0	924.0	630.0	--	--
DN750XDN700	30"X28" Ⓜ	1651.0	1664.0	1651.0	--	812.0	956.0	700.0	--	--
DN800XDN750	32"X30" Ⓜ	1778.0	1794.0	1778.0	--	914.0	1038.0	726.0	--	--
DN900XDN750	36"X30" Ⓜ	2083.0	2099.0	2083.0	--	914.0	1038.0	726.0	9266.0	8825.0

\* Ⓜ Reduce Bore Ⓜ Regular Bore

\* Modentic Reserves The Rights To Change Any Details Without Prior Notice.