



Fig No: MD-63-150 Reduce Bore

3" x 2" ~ 36" x 30"



Feature:

- Design: API6D, ASME B16.34, API607/ API6FA fire safe design
- Side entry ball
- Anti-static design, Anti blow-out-stem
- Carbon steel or special alloy upon request
- Cast steel are also supplied in full compliance with NACE MR0175

Service:

General, Low Temperature, Cryogenic, Sub sea, Oil & Gas application, High temperature, Underground

Design:

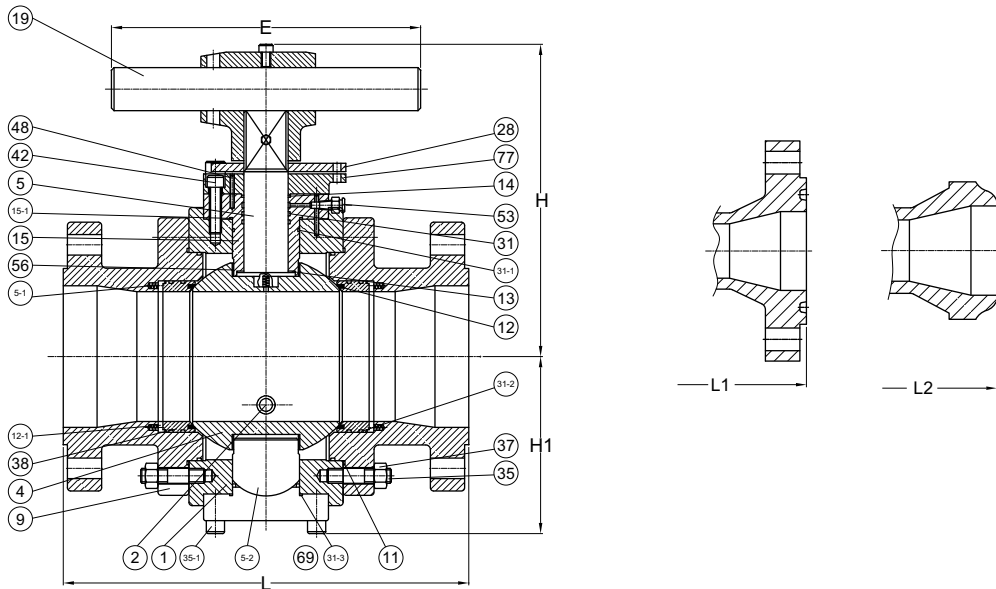
- 3-pc Design, by forged
- Reduce Bore
- Face to face: ASME B16.10
- Flange connection: ASME B16.5 Class 150 RF (Above size 26", which would compliance with ASME B16.47)
- Pressure-Temperature Rating: ASME/ANSI B16.34
- Testing and inspection: API6D, API598

- Automatically Drain Plug (NPT) on Body(2"~4" - option, Upward 6" - Basic function)
- Double bleed and Block (2"~4" - option, Upward 6" - Basic function)
- Sealant Emergently Injection Fittings(2"~4" - option, Upward 6" - Basic function)

Options:

- With Locking Device
- Extended Stem (Cryogenic application)
- Actuator installation
- Gear Box

Size:3"x2"~8"x4"



DIMENSIONS(CLASS 150Lb)

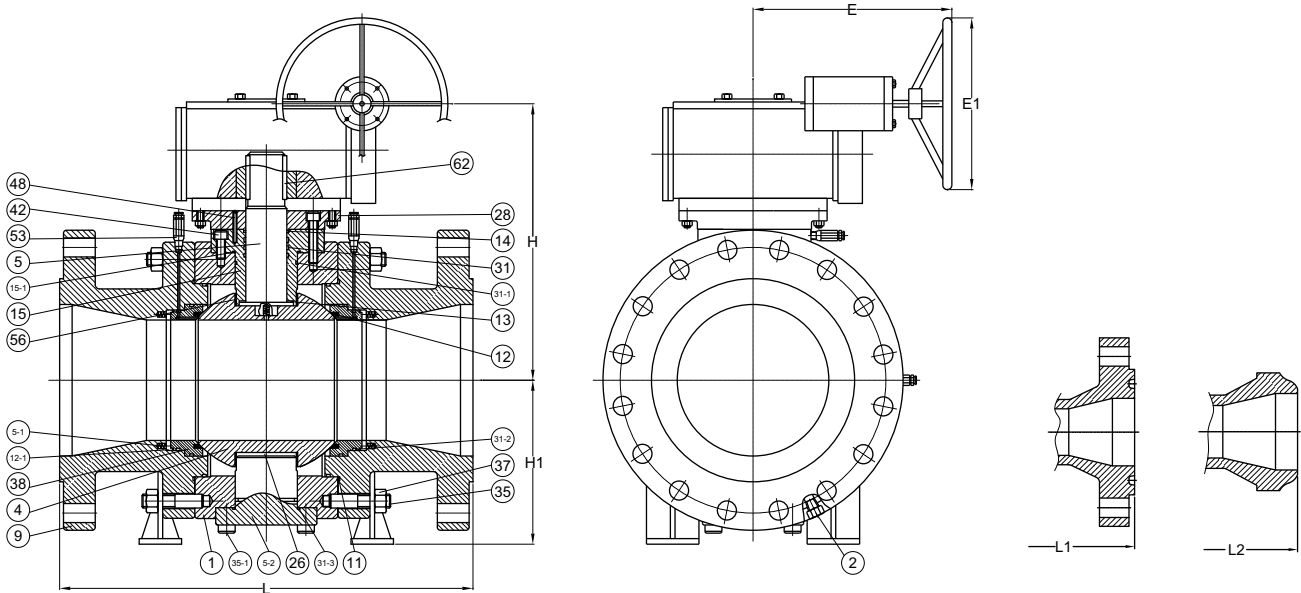
unit:mm

SIZE		L	L1	L2	E	H	H1	Wt (kg)
DN80XDN50	3"X2" ®	203.0	216.0	283.0	250.0	168.0	83.0	30.0
DN80XDN65	3"X2-1/2" ©	203.0	216.0	283.0	300.0	180.0	102.0	46.0
DN100XDN65	4"X2-1/2" ®	229.0	241.0	305.0	300.0	180.0	102.0	52.0
DN100XDN80	4"X3" ©	229.0	241.0	305.0	350.0	202.0	117.0	60.0
DN150XDN80	6"X3" ®	394.0	406.0	457.0	350.0	202.0	117.0	80.0
DN150XDN100	6"X4" ©	394.0	406.0	457.0	450.0	228.0	141.0	100.0
DN200XDN100	8"X4" ®	457.0	470.0	521.0	450.0	228.0	141.0	128.0



Fig No: MD-63-150 Reduce Bore

Size: 8"x6"~30"x28"



MATERIALS LIST

NO.	DESCRIPTION	MATERIAL
1	BODY	A105,A350-LF2,A182-F304,F316,F304L,F316L,F321,F51,F53
2	DRAIN VALVE AND PLUG	1025,SS304,SS316,SS304L,SS316L,SS321,F51,F53
4	BALL	A105+ENP,A182-F8,F304,F316,F304L,F316L,F321,F51,F53
5	STEM	1045+ENP,A182-F6,F304,F316,F304L,F316L,F321,F51,F53,4140+ENP,17-4PH
5-1	SPRING	SS304,INCONE,1566+ENP
5-2	TRUNNION	1045+ENP,A182-F6,F304,F316,F304L,F316L,F321,F51,F53,4140+ENP,17-4PH
9	ADAPTER	A105,A350-LF2,A182-F304,F316,F304L,F316L,F321,F51,F53
11	GASKET	SS304,SS316+FLEXIBLE GRAPHITE SPIRAL WOUND
12	SEAT	PTFE,RTFE,PEEK,PPL,POM,KARBATE,NYLON,MOLON,DEVLON
12-1	SEAT RING	A105+ENP,A182-F8,F304,F316,F304L,F316L,F321,F51,F53
13	THRUST WASHER	PTFE,RTFE,STAINLESS STEEL+N
14	PACKING	FLEXIBLE GRAPHITE
15	STUFFING BOX	A105+ENP,A182-F8,F304,F316,F304L,F316L,F321,F51,F53
15-1	SEALING RING	SS304,SS316+FLEXIBLE GRAPHITE SPIRAL WOUND
28	CONNECTION PLATE	1025,A216 WCB,A351 CF8
31	O-RING	VITON
31-1	O-RING	NBR,VITON
31-2	O-RING	VITON
31-3	O-RING	NBR,VITON
35	BOLT	A194-B7,B7M,B8,B8M
35-1	SCREW	1035,STAINLESS STEEL
37	NUT	A194-2H,2HM,8,8M
38	SEALING RING	FLEXIBLE GRAPHITE
42	SCREW	1035,STAINLESS STEEL
48	PIN	ANSI 1566,STAINLESS STEEL
53	GREASE FITTING	1025,SS304,SS316,SS304L,SS316L,SS321,F51,F53
56	BEARING	1045+RPTFE.,SS304+RPTFFE.,SS316+RPTFE.
62	KEY	1045
69	ADJUSTING RING	PTFE,1045+RPTFE,STAINLESS STEEL+RPTFE

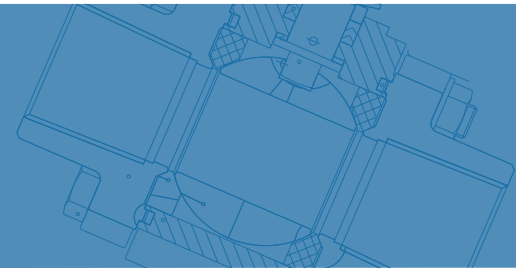


Fig No: MD-63-150 Reduce Bore

DIMENSIONS(CLASS 150Lb) unit:mm

SIZE		L	L1	L2	E	E1	H	H1	WtI (kg)	WtII (kg)
DN200XDN150	8"X6" ⊗	457.0	470.0	521.0	254.0	300.0	280.0	178.0	210.0	200.0
DN250XDN150	10"X6" ⊗	533.0	545.0	559.0	254.0	300.0	280.0	178.0	--	--
DN250XDN200	10"X8" ⊗	533.0	546.0	559.0	254.0	300.0	305.0	225.0	355.0	338.0
DN300XDN200	12"X8" ⊗	610.0	622.0	635.0	254.0	300.0	305.0	225.0	--	--
DN300XDN250	12"X10" ⊗	610.0	622.0	635.0	270.0	300.0	395.0	257.0	565.0	538.0
DN350XDN250	14"X10" ⊗	686.0	699.0	762.0	270.0	300.0	395.0	257.0	615.0	586.0
DN400XDN250	16"X10" ⊗	762.0	775.0	838.0	270.0	300.0	395.0	257.0	--	--
DN350XDN300	14"X12" ⊗	686.0	699.0	762.0	320.0	300.0	428.0	323.0	723.0	689.0
DN400XDN300	16"X12" ⊗	762.0	775.0	838.0	320.0	300.0	428.0	323.0	786.0	749.0
DN450XDN300	18"X12" ⊗	864.0	876.0	914.0	320.0	300.0	428.0	323.0	--	--
DN400XDN350	16"X14" ⊗	762.0	775.0	838.0	380.0	400.0	465.0	355.0	903.0	860.0
DN450XDN350	18"X14" ⊗	864.0	876.0	914.0	380.0	400.0	465.0	355.0	--	--
DN500XDN350	20"X14" ⊗	914.0	927.0	991.0	380.0	400.0	465.0	355.0	--	--
DN450XDN400	18"X16" ⊗	864.0	876.0	914.0	430.0	450.0	528.0	398.0	1165.0	1110.0
DN500XDN400	20"X16" ⊗	914.0	927.0	991.0	430.0	450.0	528.0	398.0	1502.0	1430.0
DN500XDN450	20"X18" ⊗	914.0	927.0	991.0	510.0	500.0	564.0	437.0	1783.0	1698.0
DN600XDN500	24"X20" ⊗	1067.0	1080.0	1143.0	510.0	500.0	577.0	453.0	2508.0	2389.0
DN600XDN550	24"X22" ⊗	1067.0	1080.0	1143.0	510.0	500.0	635.0	499.0	--	--
DN750XDN600	30"X24" ⊗	1295.0	--	1397.0	510.0	500.0	817.0	592.0	3940.0	3752.0
DN700XDN650	28"X26" ⊗	1245.0	--	1346.0	530.0	550.0	892.0	624.0	--	--
DN750XDN700	30"X28" ⊗	1295.0	--	1397.0	--	812.0	942.0	702.0	--	--
DN800XDN750	32"X30" ⊗	1372.0	--	1524.0	--	812.0	962.0	715.0	--	--
DN900XDN750	36"X30" ⊗	1524.0	--	1727.0	--	812.0	962.0	715.0	4520.0	4305.0

* ⊗ Reduce Bore ⊕ Regular Bore

* Modentic Reserves The Rights To Change Any Details Without Prior Notice.