

**Fig No. V-103H Reduced Bore**  
**1/4" ~ 2" DN8 ~ 50**

**Features :**

One Piece Hex. body design  
 Investment cast Component, Blow-out-proof Stem  
 For Industrial, chemical application  
 Carbon Steel & Super Alloy upon request

**Standard Compliance :**

Body wall thickness : EN 12516-1/3  
 Threaded end : BS 21 ( BSP )  
 BSPT  
 ISO 228-1  
 DIN 2999  
 ISO7-1Rp

Face to Face : MD's Standard  
 Body Material : EN 1503-1  
 Pressure Testing : EN12266

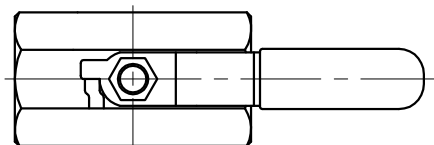
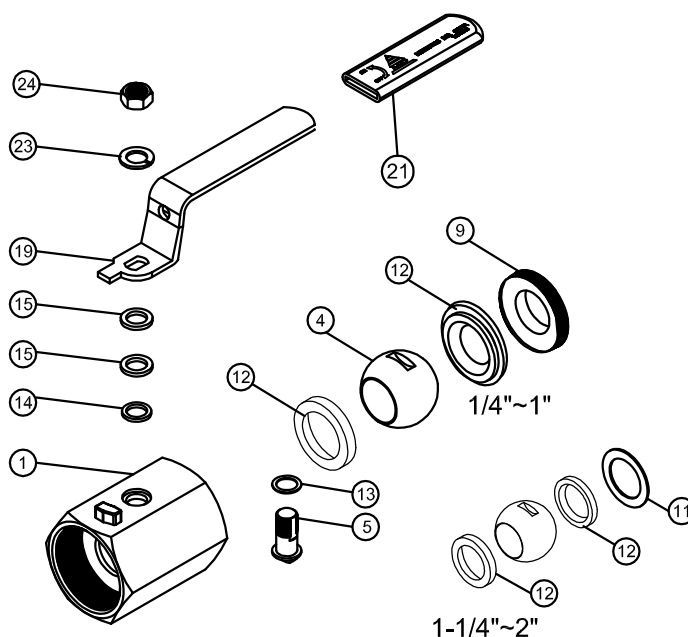
**Specification**

End Connection : Threaded end  
 Working Pressure : 140 Bar ( CWP ) for DN8-25  
 125 Bar ( CWP ) for DN32-50  
 Temperature : -20 ~ 180<sup>0</sup> C

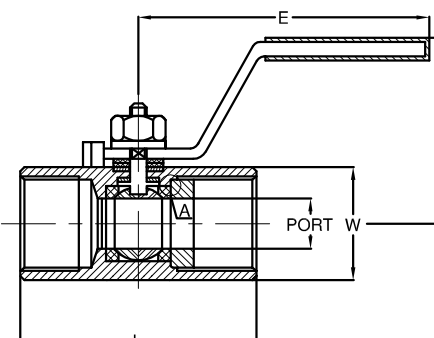
**MATERIALS LIST**

NO.	PART NAME	MATERIAL
1	BODY	1.4408/EN1503-1
4	BALL	SS316/CF8M
5	STEM	SS316
9	INSERT	1.4408/EN1503-1
11	BODY SEAL	PTFE.
12	SEAT	PTFE.
13	THRUST WASHER	PTFE.
14	STEM PACKING	PTFE.
15	GLAND WASHER	SS304
19	HANDLE	SS304
21	HANDLE COVER	PLASTIC
23	SPRING WASHER	SS304
24	HANDLE NUT	SS304

BALL - SS 316 1/4"-1/2" CF8M 3/4"-2"



1/4"~1"  
A-VIEW



1-1/4"~2"  
A-VIEW

**DIMENSIONS**

unit:mm

SIZE	PORT	L	E	H	W
DN8	1/4"	5.0	39.0	70.0	17.0
DN10	3/8"	7.2	44.0	81.5	21.0
DN15	1/2"	9.2	56.5	97.0	25.0
DN20	3/4"	12.5	59.0	97.0	32.0
DN25	1"	15.0	71.0	101.0	38.0
DN32	1-1/4"	20.0	78.0	101.0	48.0
DN40	1-1/2"	25.0	83.0	146.0	53.0
DN50	2"	32.0	98.0	146.0	64.0