

**Fig No: FGB-2500**

**1/2" ~ 2" DN15 ~ DN50**

**Features :**

2500Lb Forged steel globe valves are available in bonnet designs. The design is the pressure seal bonnet, with a threaded and pressure seal bonnet joint.

Globe valve Design Construction and Specifications :

Globe valves conform to API602, BS5352, and ASME B16.34.

Each are tested according to API598

Marking is per MSS SP-25.

**Construction is as follows :**

Full Port or Conventional Port

Outside Screw and Yoke

Two piece self aligning packing gland

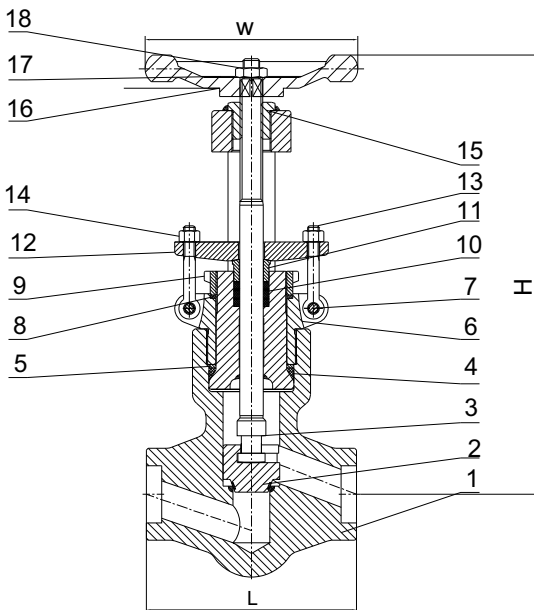
Bolted bonnet with spiral-wound gasket,

Threaded and seal welded bonnet or threaded and pressure and bonnet

Integral backseat

Socket weld Ends to ASME B16.11

Screwed Ends (NPT) to ANSI/ASME B1.20.1



**DIMENSIONS**

unit:mm

NPS	1/2"	3/4"	1"	1-1/4"	1-1/2"	2"
L(2500Lb)	186	186	186	232	232	279
H(Open)	333	333	333	408	408	524
W	160	160	180	200	250	280
Weights(kg)	12.3	11.6	10.8	28.0	26.4	43.8

**MATERIALS LIST**

NO	Part Name	CS to ASTM	SS to ASTM	
		Type A105	Type A182 F304	Type A182 F316(L)
1	Body	A105	A182 F304(L)	A182 F316(L)
2	Disc	A182 F6	A182 304(L)	A182 316(L)
3	Stem	A182 F6	A182 F304(L)	A182 F316(L)
4	Pressure Seat	A105	A182 F304(L)	A182 F316(L)
5	Pressurering	F316+ Graphite		
6	Bonnet	A105	A182 F304(L)	A182 F316(L)
7	Pin	F304	F304	
8	P.S Washer	A105	A182 F304(L)	A182 F316(L)
9	P.S.Lock Nut	CARBONSTEEL	A182 F304(L)	A182 F316(L)
10	Stem Packing	Flexibte Graphite		
11	Gland	A276 410	A182 F316	
12	Gland Flange	A105	A182 F304	
13	Gland Eyebolt	A193 B7	A193 B8	
14	Gland Nut	A194 2H	A193 8	
15	Yoke Nut	A276-410		
16	Handwheel	60-40-18		
17	Nameplate	SS		
18	H.W. Nut	A194 2H	A194 8	

Other Materials Also Available On Requested