

Fig No: FGT-1500

1/2" ~ 2" DN15 ~ DN50

Features :

Forged steel gate valves are available in three bonnet designs. The first design is the Bolted Bonnet, With male-female joint, spiral wound gasket, made in F304L/graphite. Ring joint gasket are also available on request. The second design is the welded bonnet, with a threaded and seal welded joint, On request a full penetration strength welded joint is available. The third design is the pressure seal bonnet, with a threaded and pressure seal bonnet joint.

Gate valve Design Construciton and Specifications :

Gate vales conform to API602, BS5352, and ASME B16.34.

Each are tested according to API598

Marking is per MSS SP-25.

Construciton is as follows :

Full Port or Conventional Port

Outside Screw and Yoke

Two piece self aligning packing gland

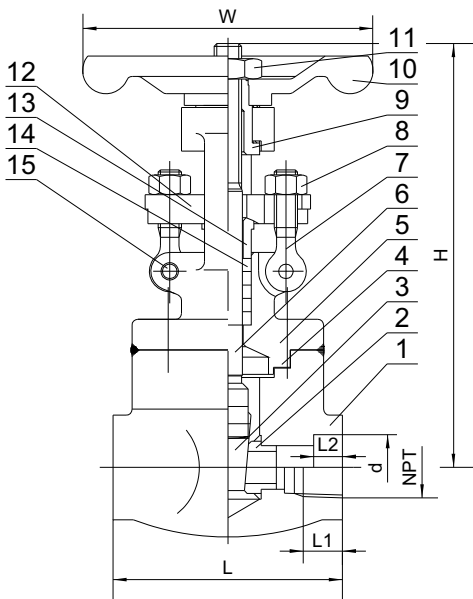
Bolted bonnet with spiral-wound gasket,

Integral backseat

Flange Ends to ASME B16.5

Socket weld Ends to ASME B16.11

Screwed Ends (NPT) to ANSI/ASME B1.20.1



DIMENSIONS

unit:mm

NPS	d	L2	NPT	L1	L	W	H
1/2	21.8	10	1/2	15	111	125	180
3/4	27	13	3/4	18	111	125	180
1	34	13	1	18	120	160	200
1-1/4	42.5	13	1-1/4	19	120	160	225
1-1/2	48.5	13	1-1/2	19	140	180	250
2	61	16	2	25	170	200	290

MATERIALS LIST

NO	Name	MATERIAL		
1	BODY	A105	F304(L)	F316(L)
2	SEAT RING	A182 F6	F304(L)	F316(L)
3	WEDEG	A182 F6	F304(L)	F316(L)
4	GASKET	F304+GRAPHITE		F316+GRAPHITE
5	BONNET	A105	A304(L)	F316(L)
6	STEM	A182 F6	A304(L)	F316(L)
7	GLAND EYEBOLT	A193 B7	A193 B8	
8	GLAND NUT	A194 2H	A194 8	
9	YOKE NUT	A276 410		
10	HANDWHEEL	60-40-18		
11	H.W.NUT	A194 2H	A194 8	
12	GLAND	A276 410	F304(L)	F316(L)
13	GLAND FLANGE	A105	F304(L)	F304
14	STEM PACKING	FLEXIBLE GRAPHITE		
15	PIN	F304		

Other Materials Also Available On Requested