

Fig No: FGT-2500

1/2"~ 2" DN15 ~ DN50

Features :

2500Lb Forged steel gate valves are available in bonnet designs. The design is the pressure seal bonnet, with a threaded and pressure seal bonnet joint.

Gate valve Design Construcion and Specifications :

Gate vales conform to API602,BS5352,and ASME B16.34.

Each are tested according to API598

Marking is per MSS SP-25.

Construciton is as follows :

Full Port or Conventional Port

Outside Screw and Yoke

Two piece self aligning packing gland

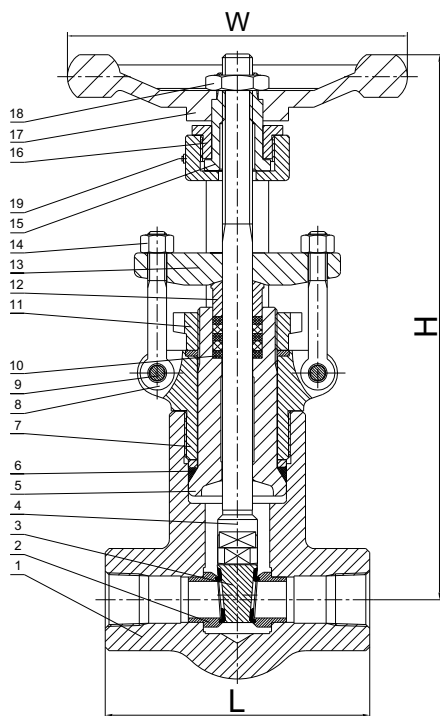
Bolted bonnet with spiral-wound gasket,

Integral backseat

Flange Ends to ASME B16.5

Socket weld Ends to ASME B16.11

Screwed Ends (NPT) to ANSI/ASME B1.20.1



DIMENSIONS

unit:mm

| NPS | 1/2" | 3/4" | 1" | 1-1/4" | 1-1/2" | 2" |
|-------------|------|------|------|--------|--------|------|
| L(2500Lb) | 186 | 186 | 186 | 232 | 232 | 279 |
| H(Open) | 321 | 321 | 321 | 380 | 414 | 502 |
| W | 160 | 160 | 180 | 220 | 250 | 280 |
| Weights(kg) | 12.3 | 11.6 | 10.8 | 26.0 | 28.4 | 60.0 |

MATERIALS LIST

| NO | Part Name | CS to ASTM | SS to ASTM | |
|----|---------------|-------------------|----------------|-------------------|
| | | Type A105 | Type A182 F304 | Type A182 F304(L) |
| 1 | Body | A105 | A182 F304(L) | A182 F316(L) |
| 2 | Seat Ring | A182 F6 | A276 F304(L) | A276 F316(L) |
| 3 | Wedge | A182 F6 | A182 F304(L) | A182 F316(L) |
| 4 | Stem | A182 F6 | A182 F304(L) | A182 F316(L) |
| 5 | Pressure Seat | A105 | A182 F304(L) | A182 F316(L) |
| 6 | Pressurering | F316+Graphite | | |
| 7 | Bonnet | A105 | A182 F304(L) | A182 F316(L) |
| 8 | Gland Eyebolt | A193 B7 | A193 B8 | |
| 9 | Pin | F304 | | |
| 10 | Stem Packing | Flexibte+Graphite | | |
| 11 | P.S.Lock Nut | A182 F304 | A182 F304(L) | A182 F304(L) |
| 12 | Gland | A276 410 | A182 F316 | |
| 13 | Gland Flange | A105 | F304 | |
| 14 | Gland Nut | A194 2H | A194 8 | |
| 15 | Yoke Nut | A276-410 | | |
| 16 | Retaining Nut | A194 2H | A194 8 | |
| 17 | Handwheel | 60-40-18 | | |
| 18 | H.W.LOCK Nut | A194 2H | A194 8 | |
| 19 | Oil Cup | Brass | | |

Other Materials Also Available On Requested