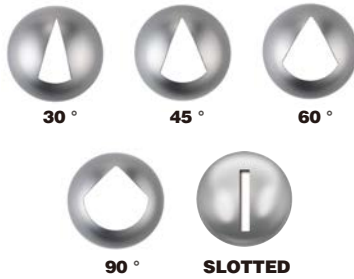


**Fig No : VF-27 1/2"~ 6"**  
**DN15 ~ DN150**



**Features :**

- Investment Cast Components
- Blow out proof stem design
- ISO 5211 Direct mounting of actuators to valves design

**Standard Compliance :**

- ASME/ANSI B16.5 ASME/ANSI B16.10
- ANSI B16.34 API 598

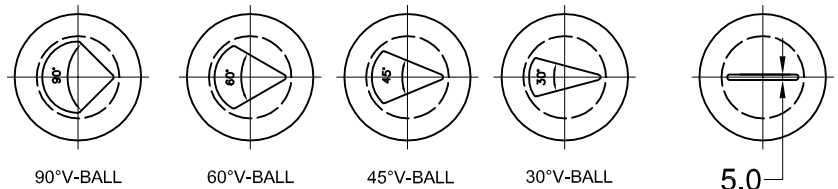
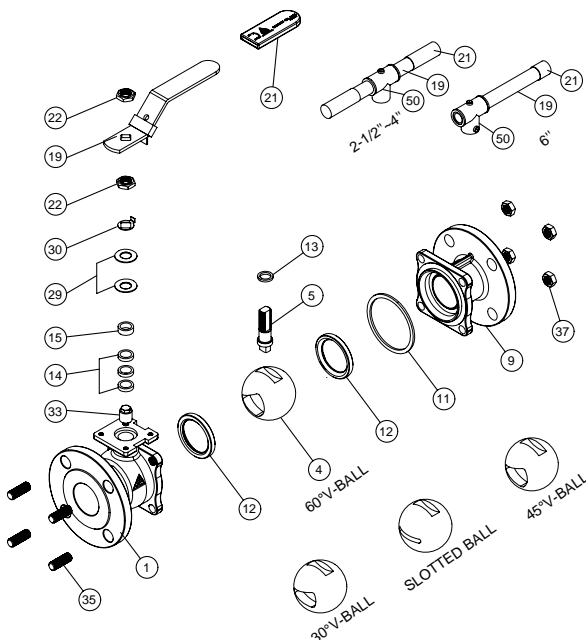
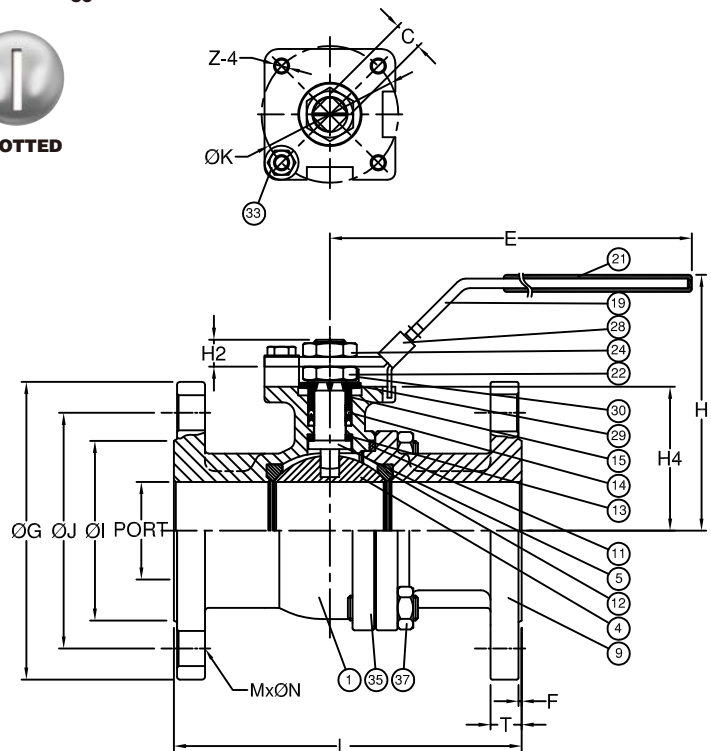
**Specifications :**

- V-Bore : 60° V / 45° V / 30° V / Slotted
- End connection : Flanged
- Working Pressure : 1/2"-6" ANSI Class 150
- Pressure test according to API 598

**MATERIALS LIST**

NO.	PART NAME	MATERIAL
1	BODY	ASTM A351 Gr.CF8M
4	BALL	ASTM A351 Gr.CF8M
5	STEM	SS316
9	END CAP	ASTM A351 Gr.CF8M
11	BODY SEAL	PTFE.
12	SEAT	RTFE/PTFE+50%S.S.
13	THRUST WASHER	PTFE.
14	STEM PACKING	PTFE.
15	GLAND BUSH	SS304
19	HANDLE	SS304
21	HANDLE COVER	PLASTIC
22	STEM NUT	SS304
24	HANDLE NUT	SS304
28	LOCKING PAD	SS304 (OPTION)
29	BELLEVILLE WASHER	SS301
30	TAB WASHER	SS304
33	STOP PIN	SS304
35	BODY BOLT	ASTM A193 Gr.B8
37	BOLT NUT	ASTM A194 Gr.8

FLANG DIMENSION: ASME B16.5  
FACE TO FACE: ASME B16.10



**DIMENSIONS**

unit:mm

SIZE	PORT	L	E	H	H2	H4	C	ØG	ØJ	ØI	T	F	MxØN	F	Z-4	
DN15	1/2"	15	108	132	80	8.5	38.5	9	89.0	60.5	35.0	11.2	1.6	4xØ16	42	M5xP0.8
DN20	3/4"	20	117	132	84.5	8.5	42.5	9	98.6	70.0	43.0	12.7	1.6	4xØ16	42	M5xP0.8
DN25	1"	25	127	166	102	12	52	11	108.0	79.2	51.0	14.3	1.6	4xØ16	50	M6xP1.0
DN32	1-1/4"	32	140	166	102	12	56	11	117.5	88.9	63.5	15.9	1.6	4xØ16	50	M6xP1.0
DN40	1-1/2"	38	165	198	125	12	65.3	14	127.0	98.6	73.2	17.5	1.6	4xØ16	70	M8xP1.25
DN50	2"	50	178	198	132	12	73.8	14	152.5	120.7	92.0	19.1	1.6	4xØ19	70	M8xP1.25

**DIMENSIONS**

unit:inch

SIZE	PORT	L	E	H	H2	H4	C	ØG	ØJ	ØI	T	F	MxØN	F	Z-4	
DN15	1/2"	0.59	4.25	5.20	3.15	0.33	1.52	0.35	3.50	2.38	1.38	0.44	0.06	4xØ0.63	1.65	M5xP0.8
DN20	3/4"	0.79	4.61	5.20	3.33	0.33	1.67	0.35	3.88	2.76	1.69	0.50	0.06	4xØ0.63	1.65	M5xP0.8
DN25	1"	0.98	5.00	6.54	4.02	0.47	2.05	0.43	4.25	3.12	2.01	0.56	0.06	4xØ0.63	1.97	M6xP1.0
DN32	1-1/4"	1.26	5.51	6.54	4.02	0.47	2.20	0.43	4.63	3.50	2.50	0.63	0.06	4xØ0.63	1.97	M6xP1.0
DN40	1-1/2"	1.50	6.50	7.80	4.92	0.47	2.57	0.55	5.00	3.88	2.88	0.69	0.06	4xØ0.63	2.76	M8xP1.25
DN50	2"	1.97	7.01	7.80	5.20	0.47	2.91	0.55	6.00	4.75	3.62	0.75	0.06	4xØ0.75	2.76	M8xP1.25

**Fig No : VF-27 1/2"~ 6"**  
**DN15 ~ DN150**



**Features :**

- Investment Cast Components
- Blow out proof stem design
- ISO 5211 Direct mounting of actuators to valves design

**Standard Compliance :**

- ASME/ANSI B16.5 ASME/ANSI B16.10
- ANSI B16.34 API 598

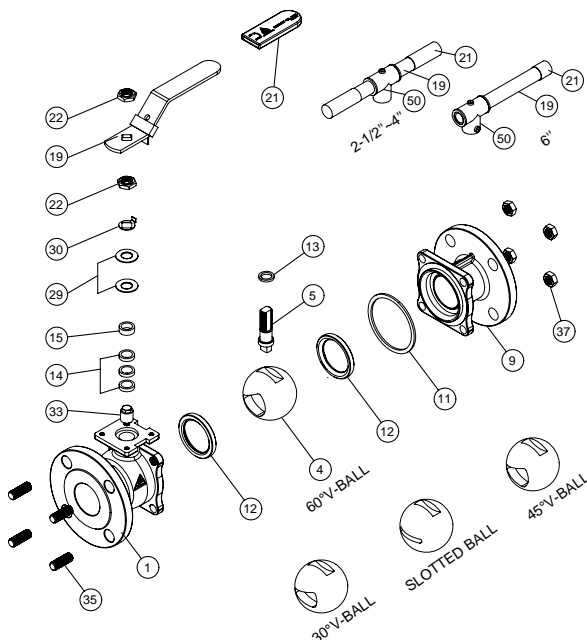
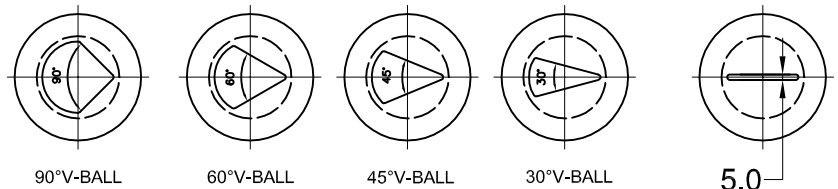
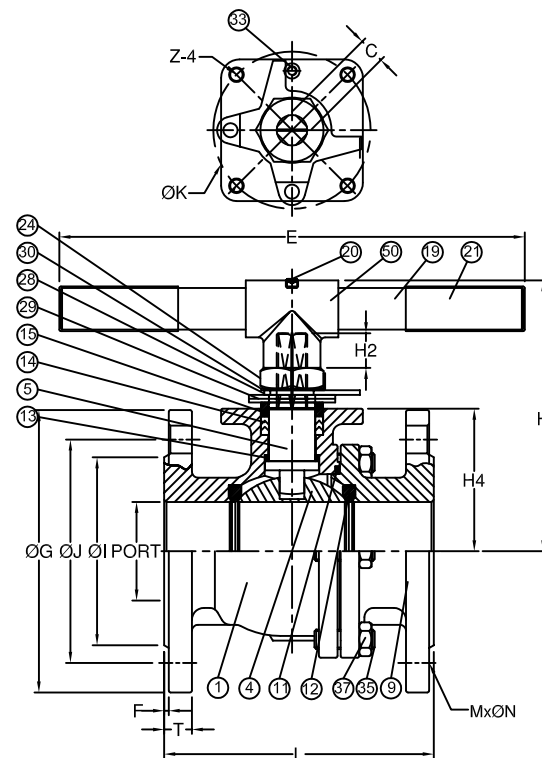
**Specifications :**

- V-Bore : 60° V / 45° V / 30° V / Slotted
- End connection : Flanged
- Working Pressure : 1/2"-6" ANSI Class 150
- Pressure test according to API 598

**MATERIALS LIST**

NO.	PART NAME	MATERIAL
1	BODY	ASTM A351 Gr.CF8M
4	BALL	ASTM A351 Gr.CF8M
5	STEM	SS316
9	END CAP	ASTM A351 Gr.CF8M
11	BODY SEAL	PTFE.
12	SEAT	RTFE/PTFE+50%S.S.
13	THRUST WASHER	PTFE.
14	STEM PACKING	PTFE.
15	GLAND BUSH	SS304
19	HANDLE	STEEL
20	SET BOLT	SS304
21	HANDLE COVER	PLASTIC
24	HANDLE NUT	SS304
28	STOP PLATE	SS304
29	BELLEVILLE WASHER	SS301
30	TAB WASHER	SS304
33	STOP PIN	SS304
35	BODY BOLT	ASTM A193 Gr.B8
37	BOLT NUT	ASTM A194 Gr.8
50	HANDLE ADAPTER	ASTM A351 Gr.CF8

FLANGE DIMENSION: ASME B16.5  
FACE TO FACE: ASME B16.10



**DIMENSIONS**

unit:mm

SIZE	PORT	L	E	H	H2	H4	C	ØG	ØJ	ØI	T	F	M	ØN	ØK	Z-4	
DN65	2-1/2"	64	190	300	178.0	23	92.5	28	177.8	139.7	104.7	23.3	1.6	4	19	102	M10xP1.5
DN80	3"	76	203	300	188.0	23	101.7	28	190.5	152.4	127.0	23.9	1.6	4	19	102	M10xP1.5
DN100	4"	100	229	450	202.0	23	119	28	228.6	191.0	157.2	23.9	1.6	8	19	102	M10xP1.5

**DIMENSIONS**

unit:inch

SIZE	PORT	L	E	H	H2	H4	C	ØG	ØJ	ØI	T	F	M	ØN	ØK	Z-4	
DN65	2-1/2"	2.52	7.48	11.81	7.01	0.91	3.64	1.10	7.00	5.50	4.12	0.92	0.06	4	0.75	4.02	M10xP1.5
DN80	3"	2.99	7.99	11.81	7.40	0.91	4.00	1.10	7.50	6.00	5.00	0.94	0.06	4	0.75	4.02	M10xP1.5
DN100	4"	3.94	9.02	17.72	7.95	0.91	4.69	1.10	7.52	7.52	6.19	0.94	0.06	8	0.75	4.02	M10xP1.5

**Fig No : VF-27 1/2"~ 6"**  
**DN15 ~ DN150**



**Features :**

- Investment Cast Components
- Blow out proof stem design
- ISO 5211 Direct mounting of actuators to valves design

**Standard Compliance :**

- ASME/ANSI B16.5 ASME/ANSI B16.10
- ANSI B16.34 API 598

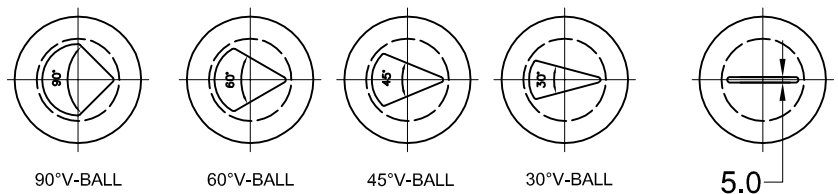
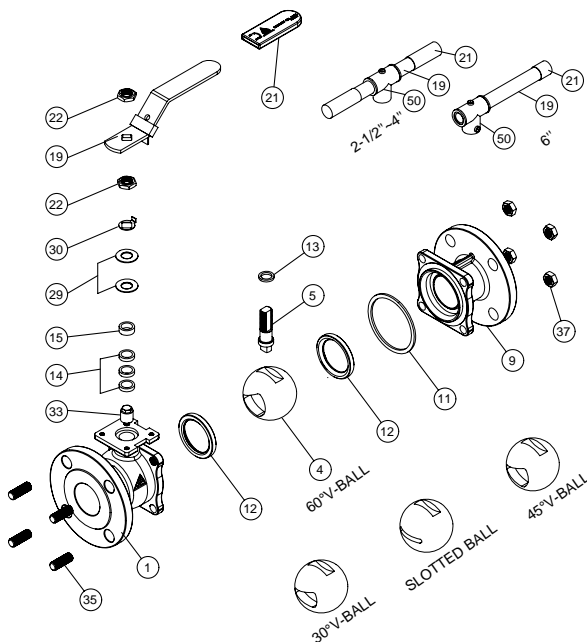
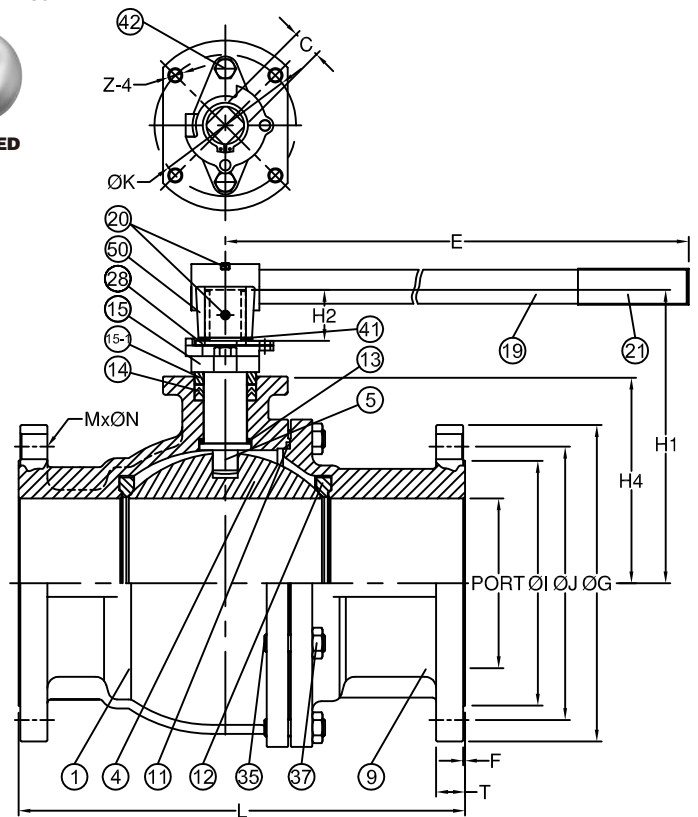
**Specifications :**

- V-Bore : 60° V / 45° V / 30° V / Slotted
- End connection : Flanged
- Working Pressure : 1/2"-6" ANSI Class 150
- Pressure test according to API 598

**MATERIALS LIST**

NO.	PART NAME	MATERIAL
1	BODY	ASTM A351 Gr.CF8M
4	BALL	ASTM A351 Gr.CF8M
5	STEM	SS316
9	END CAP	ASTM A351 Gr.CF8M
11	BODY SEAL	PTFE.
12	SEAT	RTFE/PTFE+50%S.S.
13	THRUST WASHER	PTFE.
14	STEM PACKING	PTFE.
15	GLAND	ASTM A351 Gr.CF8
15-1	GLAND BUSH	SS304
19	HANDLE	STEEL
20	SET BOLT	SS304
21	HANDLE COVER	PLASTIC
28	STOP PLATE	SS304
35	BODY BOLT	ASTM A193 Gr.B8
37	BOLT NUT	ASTM A194 Gr.8
41	SNAP RING	SS304
42	GLAND BOLT	SS304
50	HANDLE ADAPTER	ASTM A351 Gr.CF8

FLANGE DIMENSION: ASME B16.5  
FACE TO FACE: ASME B16.10



**DIMENSIONS**

unit:mm

SIZE	PORT	L	E	H1	H2	H4	C	ØG	ØJ	ØI	T	F	M	ØN	ØK	Z	
DN125	5"	125	325	600	233	45	163.0	27	254.0	216.0	186.0	24.0	1.6	8	22.3	125	M12xP1.75
DN150	6"	150	394	800	259	45	182.5	27	279.4	241.3	216.0	25.4	1.6	8	22.3	125	M12xP1.75

**DIMENSIONS**

unit:inch

SIZE	PORT	L	E	H1	H2	H4	C	ØG	ØJ	ØI	T	F	M	ØN	ØK	Z	
DN125	5"	4.92	12.80	23.62	9.17	1.77	6.42	1.06	10.00	8.50	7.32	0.94	0.06	8	0.88	4.92	M12xP1.75
DN150	6"	5.91	15.51	31.50	10.20	1.77	7.19	1.06	11.00	9.50	8.50	1.00	0.06	8	0.88	4.92	M12xP1.75