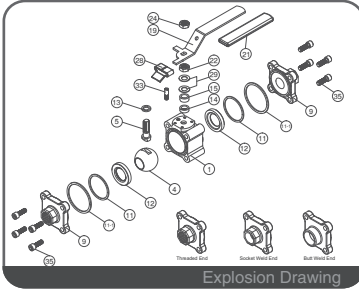
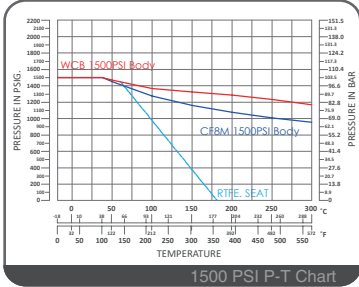




V-755FSA

Fire Safe Ball Valve

1500 PSI Reduced Bore
API 607 Fire Safe
1/4" ~ 2"



FEATURES

- Forged Body Construction
- 3 Pieces Body Design
- ISO 5211 Mounting Flange
- Blow-Out-Proof Stem Design & Anti-Static Device
- Available for Pneumatic or Electric Actuator
- NACE MR0175 is available upon request
- Super Alloy materials for highly corrosive medium are available upon request

AUTOMATION AVAILABLE

SPECIFICATIONS

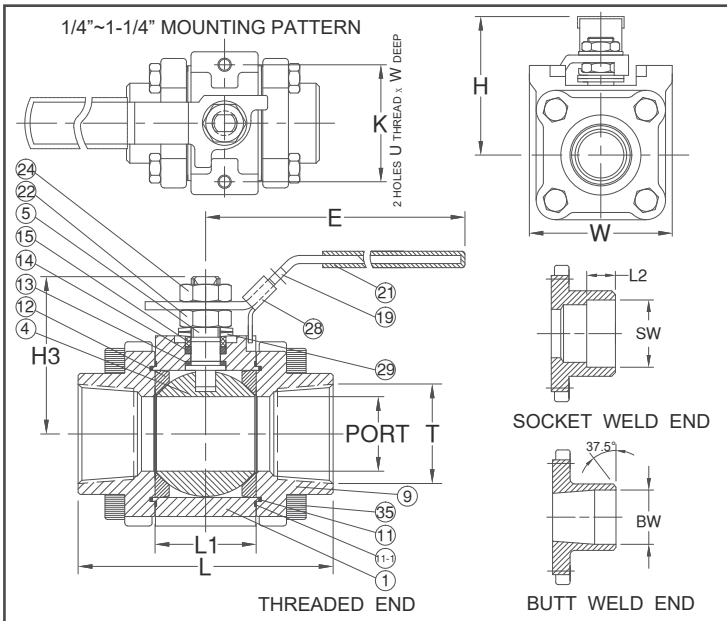
- Size Range 1/4" ~ 2" (DN8 ~ DN50)
- End Connection Threaded / Socket / Butt Weld Ends
- Working Pressure 1500 PSI / PN100 (CWP)
- Steam Pressure 150 PSIG. Saturated Steam for PTFE.
- Temperature Range -4 to 356 °F (-20 to 180 °C) for PTFE.

STANDARDS

- Design ASME/ANSI B16.34
- Mounting Flange ISO 5211
- Threaded End NPT/ BS 21 (BSP) / BSPT / ISO 228-1 / DIN 2999 / ISO 7-1Rp
- Socket Weld End ASME/ANSI B16.11
- Butt Weld End ASME/ANSI B16.25
- Face to Face MFG
- Material ASTM
- Pressure Testing API 598

CERTIFICATE

- Fire Safe API 607 6th Edition
- Quality Assurance ISO 9001
- Material Certificate EN 10204-3.1 MTR
- CE Approval PED 97/23/EC Module H
- Canadian Certificate CRN



MATERIAL LIST

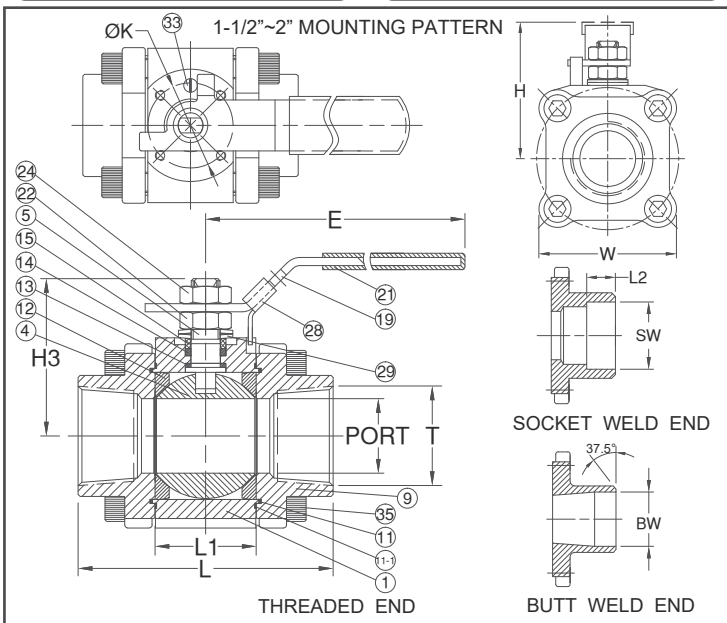
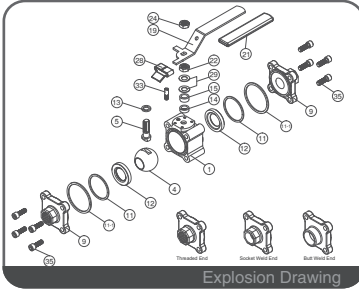
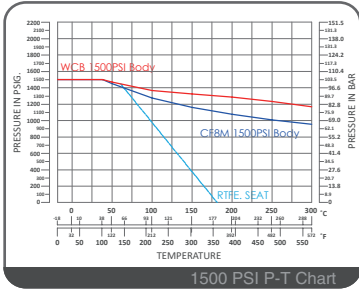
NO.	PART NAME	MATERIAL (more options available)	
1	BODY	ASTM A105	ASTM A182 Gr.F316
4	BALL	ASTM A276 Gr.316	
5	STEM	ASTM A276 Gr.316	
9	END CAP	ASTM A105	ASTM A182 Gr.F316
11	BODY SEAL	GRAPHITE	
11-1	BODY SEAL	PTFE.	
12	SEAT	PTFE.	
13	THRUST WASHER	GRAPHITE	
14	STEM PACKING	GRAPHITE	
15	GLAND BUSH	SS316	
19	HANDLE	SS304	
21	HANDLE COVER	PLASTIC	
22	STEM NUT	SS304	
24	HANDLE NUT	SS304	
28	LOCKING DEVICE	SS304	
29	BELLEVILLE WASHER	STAINLESS STEEL	
35	BODY BOLT	SS304	

DIMENSION

SIZE	PORT	L	L1	E	H	H3	K	W	L2	T	unit : mm		
											SW	BW	
DN8	1/4"	11.0	65.0	22.2	110	64.5	47.5	48	59.1	10.0	PT	14.2	11.0
DN10	3/8"	11.0	65.0	22.2	110	64.5	47.5	48	59.1	10.0		PF	17.6
DN15	1/2"	11.0	65.0	22.2	110	64.5	47.5	48	59.1	10.0	228		21.8
DN20	3/4"	14.0	71.0	22.2	110	64.5	47.5	48	59.1	13.0		NPT	27.2
DN25	1"	20.5	93.8	31.8	110	69.5	52.5	54	65.1	13.0	DIN2999		33.9
DN32	1-1/4"	25.0	106.0	37.0	145	82.6	58.6	54	78.5	13.0			42.7

DIMENSION

SIZE	PORT	L	L1	E	H	H3	K	W	L2	T	unit : inch		
											SW	BW	
DN8	1/4"	0.43	2.55	0.87	4.33	2.53	1.87	1.88	2.32	0.39	PT	0.55	0.43
DN10	3/8"	0.43	2.55	0.87	4.33	2.53	1.87	1.88	2.32	0.39		PF	0.69
DN15	1/2"	0.43	2.55	0.87	4.33	2.53	1.87	1.88	2.32	0.39	228		0.85
DN20	3/4"	0.55	2.79	0.87	4.33	2.53	1.87	1.88	2.32	0.51		NPT	1.07
DN25	1"	0.80	3.69	1.25	4.33	2.73	2.06	2.12	2.56	0.51	DIN2999		1.33
DN32	1-1/4"	0.98	4.17	1.45	5.70	3.25	2.30	2.12	3.09	0.51			1.68



FEATURES

- Forged Body Construction
- 3 Pieces Body Design
- ISO 5211 Mounting Flange
- Blow-Out-Proof Stem Design & Anti-Static Device
- Available for Pneumatic or Electric Actuator
- NACE MR0175 is available upon request
- Super Alloy materials for highly corrosive medium are available upon request

AUTOMATION AVAILABLE

SPECIFICATIONS

- Size Range 1/2" ~ 2" (DN8 ~ DN50)
- End Connection Threaded / Socket / Butt Weld Ends
- Working Pressure 1500 PSI / PN100 (CWP)
- Steam Pressure 150 PSIG. Saturated Steam for PTFE.
- Temperature Range -4 to 356 °F (-20 to 180 °C) for PTFE.

STANDARDS

- Design ASME/ANSI B16.34
- Mounting Flange ISO 5211
- Threaded End NPT/ BS 21 (BSP) / BSPT / ISO 228-1 / DIN 2999 / ISO 7-1Rp
- Socket Weld End ASME/ANSI B16.11
- Butt Weld End ASME/ANSI B16.25
- Face to Face MFG
- Material ASTM
- Pressure Testing API 598

CERTIFICATE

- Fire Safe API 607 6th Edition
- Quality Assurance ISO 9001
- Material Certificate EN 10204-3.1 MTR
- CE Approval PED 97/23/EC Module H
- Canadian Certificate CRN

MATERIAL LIST

NO.	PART NAME	MATERIAL (more options available)	
1	BODY	ASTM A105	ASTM A182 Gr.F316
4	BALL	ASTM A276 Gr.316	
5	STEM	ASTM A276 Gr.316	
9	END CAP	ASTM A105	ASTM A182 Gr.F316
11	BODY SEAL	GRAPHITE	
11-1	BODY SEAL	PTFE.	
12	SEAT	PTFE.	
13	THRUST WASHER	GRAPHITE	
14	STEM PACKING	GRAPHITE	
15	GLAND BUSH	SS316	
19	HANDLE	SS304	
21	HANDLE COVER	PLASTIC	
22	STEM NUT	SS304	
24	HANDLE NUT	SS304	
28	LOCKING DEVICE	SS304	
29	BELLEVILLE WASHER	STAINLESS STEEL	
33	STOP PIN	SS304	
35	BODY BOLT	SS304	

DIMENSION

SIZE	PORT	unit : mm													
		L	L1	E	H	H3	ØK	W	L2	T	SW	BW			
DN40	1-1/2"	31.5	114.5	42.5	145	83.1	63.1	42	77.1	13.0	PT	48.8	40.9		
		228	2"	37.0	126.4	50.2	162	91.9	75.6	50	91.4			16.0	NPT

DIMENSION

SIZE	PORT	unit : inch													
		L	L1	E	H	H3	K	W	L2	T	SW	BW			
DN40	1-1/2"	1.24	4.50	1.67	5.70	3.27	2.48	1.65	3.03	0.51	PT	1.92	1.61		
		228	2"	1.45	4.97	1.97	6.37	3.61	2.97	1.96	3.59			0.62	NPT