

## FEATURES

- Forged Body Construction
- 3 Pieces Body Design
- ISO 5211 Mounting Flange
- Blow-Out-Proof Stem Design & Anti-Static Device
- Available for Pneumatic or Electric Actuator
- NACE MR0175 is available upon request
- Super Alloy materials for highly corrosive medium are available upon request

AUTOMATION AVAILABLE

## SPECIFICATIONS

- Size Range 1/2" ~ 2" ( DN15 ~ DN50 )
- End Connection Threaded / Socket / Butt Weld Ends
- Working Pressure 1500 PSI / PN100 ( CWP )
- Steam Pressure 150 PSIG. Saturated Steam for PTFE.
- Temperature Range -4 to 356 °F ( -20 to 180 °C ) for PTFE.

## STANDARDS

- Design ASME/ANSI B16.34
- Mounting Flange ISO 5211
- Threaded End NPT/ BS 21 ( BSP ) / BSPT / ISO 228-1 / DIN 2999 / ISO 7-1Rp
- Socket Weld End ASME/ANSI B16.11
- Butt Weld End ASME/ANSI B16.25
- Face to Face MFG
- Material ASTM
- Pressure Testing API 598

## CERTIFICATE

- Fire Safe API 607 6<sup>th</sup> Edition
- Quality Assurance ISO 9001
- Material Certificate EN 10204-3.1 MTR
- CE Approval PED 97/23/EC Module H
- Canadian Certificate CRN

## MATERIAL LIST

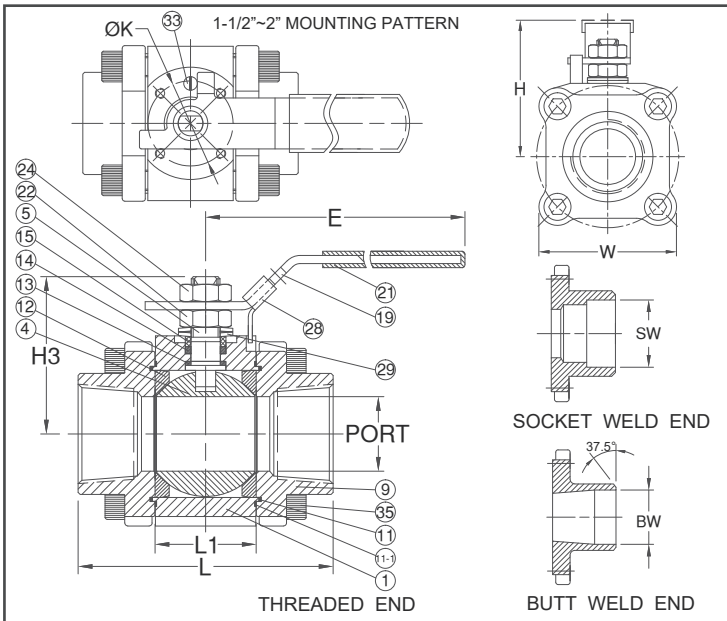
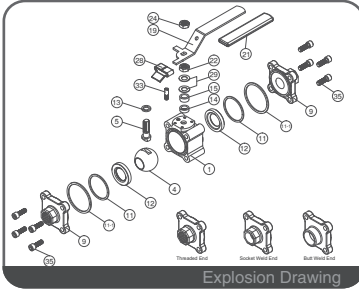
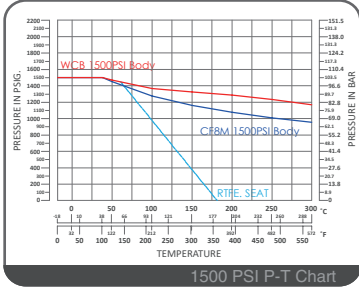
| NO.  | PART NAME         | MATERIAL<br>( more options available ) |                   |
|------|-------------------|--|-------------------|
| 1    | BODY              | ASTM A105                              | ASTM A182 Gr.F316 |
| 4    | BALL              | ASTM A276 Gr.316                       |                   |
| 5    | STEM              | ASTM A276 Gr.316                       |                   |
| 9    | END CAP           | ASTM A105                              | ASTM A182 Gr.F316 |
| 11   | BODY SEAL         | GRAPHITE                               |                   |
| 11-1 | BODY SEAL         | PTFE.                                  |                   |
| 12   | SEAT              | PTFE.                                  |                   |
| 13   | THRUST WASHER     | GRAPHITE                               |                   |
| 14   | STEM PACKING      | GRAPHITE                               |                   |
| 15   | GLAND BUSH        | SS316                                  |                   |
| 19   | HANDLE            | SS304                                  |                   |
| 21   | HANDLE COVER      | PLASTIC                                |                   |
| 22   | STEM NUT          | SS304                                  |                   |
| 24   | HANDLE NUT        | SS304                                  |                   |
| 28   | LOCKING DEVICE    | SS304                                  |                   |
| 29   | BELLEVILLE WASHER | STAINLESS STEEL                        |                   |
| 35   | BODY BOLT         | SS304                                  |                   |

## DIMENSION

| SIZE | PORT   | L    | L1    | E    | H   | H3   | K    | W  | L2   | T    | unit : mm |      |      |
|------|--------|------|-------|------|-----|------|------|----|------|------|-----------|------|------|
|      |        |      |       |      |     |      |      |    |      |      | SW        | BW   |      |
| DN15 | 1/2"   | 14.0 | 75.2  | 22.2 | 110 | 64.5 | 47.5 | 48 | 59.1 | 10.0 | PT        | 21.8 | 15.8 |
| DN20 | 3/4"   | 20.5 | 80.2  | 31.8 | 110 | 69.5 | 52.5 | 54 | 65.1 | 13.0 | PF        | 27.2 | 20.9 |
|      |        |      |       |      |     |      |      |    |      |      | 228       | 33.9 | 26.6 |
| DN25 | 1"     | 25.0 | 90.2  | 37.0 | 145 | 82.6 | 58.6 | 54 | 78.5 | 13.0 | NPT       | 42.7 | 35.1 |
| DN32 | 1-1/4" | 31.5 | 110.3 | 42.5 | 145 | 83.1 | 63.1 | 42 | 77.1 | 13.0 | DIN2999   | 42.7 | 35.1 |

## DIMENSION

| SIZE | PORT   | L    | L1   | E    | H    | H3   | K    | W    | L2   | T    | unit : inch |      |      |
|------|--------|------|------|------|------|------|------|------|------|------|-------------|------|------|
|      |        |      |      |      |      |      |      |      |      |      | SW          | BW   |      |
| DN15 | 1/2"   | 0.55 | 2.96 | 0.87 | 4.33 | 2.53 | 1.87 | 1.88 | 2.32 | 0.39 | PT          | 0.85 | 0.62 |
| DN20 | 3/4"   | 0.80 | 3.15 | 1.25 | 4.33 | 2.73 | 2.06 | 2.12 | 2.56 | 0.51 | PF          | 1.07 | 0.82 |
|      |        |      |      |      |      |      |      |      |      |      | 228         | 1.33 | 1.04 |
| DN25 | 1"     | 0.98 | 3.55 | 1.45 | 5.70 | 3.25 | 2.30 | 2.12 | 3.09 | 0.51 | NPT         | 1.68 | 1.38 |
| DN32 | 1-1/4" | 1.24 | 4.34 | 1.67 | 5.70 | 3.27 | 2.48 | 1.65 | 3.03 | 0.51 | DIN2999     | 1.68 | 1.38 |



## FEATURES

- Forged Body Construction
- 3 Pieces Body Design
- ISO 5211 Mounting Flange
- Blow-Out-Proof Stem Design & Anti-Static Device
- Available for Pneumatic or Electric Actuator
- NACE MR0175 is available upon request
- Super Alloy materials for highly corrosive medium are available upon request

AUTOMATION AVAILABLE

## SPECIFICATIONS

- Size Range 1/2" ~ 2" ( DN15 ~ DN50 )
- End Connection Threaded / Socket / Butt Weld Ends
- Working Pressure 1500 PSI / PN100 ( CWP )
- Steam Pressure 150 PSIG. Saturated Steam for PTFE.
- Temperature Range -4 to 356 °F ( -20 to 180 °C ) for PTFE.

## STANDARDS

- Design ASME/ANSI B16.34
- Mounting Flange ISO 5211
- Threaded End NPT/ BS 21 ( BSP ) / BSPT / ISO 228-1 / DIN 2999 / ISO 7-1Rp
- Socket Weld End ASME/ANSI B16.11
- Butt Weld End ASME/ANSI B16.25
- Face to Face MFG
- Material ASTM
- Pressure Testing API 598

## CERTIFICATE

- Fire Safe API 607 6<sup>th</sup> Edition
- Quality Assurance ISO 9001
- Material Certificate EN 10204-3.1 MTR
- CE Approval PED 97/23/EC Module H
- Canadian Certificate CRN

## MATERIAL LIST

| NO.  | PART NAME         | MATERIAL<br>( more options available ) |                   |
|------|-------------------|--|-------------------|
| 1    | BODY              | ASTM A105                              | ASTM A182 Gr.F316 |
| 4    | BALL              | ASTM A276 Gr.316                       |                   |
| 5    | STEM              | ASTM A276 Gr.316                       |                   |
| 9    | END CAP           | ASTM A105                              | ASTM A182 Gr.F316 |
| 11   | BODY SEAL         | GRAPHITE                               |                   |
| 11-1 | BODY SEAL         | PTFE.                                  |                   |
| 12   | SEAT              | PTFE.                                  |                   |
| 13   | THRUST WASHER     | GRAPHITE                               |                   |
| 14   | STEM PACKING      | GRAPHITE                               |                   |
| 15   | GLAND BUSH        | SS316                                  |                   |
| 19   | HANDLE            | SS304                                  |                   |
| 21   | HANDLE COVER      | PLASTIC                                |                   |
| 22   | STEM NUT          | SS304                                  |                   |
| 24   | HANDLE NUT        | SS304                                  |                   |
| 28   | LOCKING DEVICE    | SS304                                  |                   |
| 29   | BELLEVILLE WASHER | STAINLESS STEEL                        |                   |
| 33   | STOP PIN          | SS304                                  |                   |
| 35   | BODY BOLT         | SS304                                  |                   |

## DIMENSION

| SIZE | PORT   | L    | L1    | E    | H   | H3    | K    | W  | L2    | T    | SW      | BW   |      |
|------|--------|------|-------|------|-----|-------|------|----|-------|------|---------|------|------|
| DN40 | 1-1/2" | 37.0 | 126.4 | 50.2 | 162 | 91.9  | 75.2 | 50 | 91.4  | 13.0 | PT      | 48.8 | 40.9 |
|      |        |      |       |      |     |       |      |    |       |      | PF      |      |      |
|      |        |      |       |      |     |       |      |    |       |      | 228     |      |      |
| DN50 | 2"     | 50.0 | 140.2 | 64.8 | 162 | 102.6 | 85.5 | 50 | 142.3 | 16.0 | NPT     | 61.0 | 52.5 |
|      |        |      |       |      |     |       |      |    |       |      | DIN2999 |      |      |
|      |        |      |       |      |     |       |      |    |       |      |         |      |      |

## DIMENSION

| SIZE | PORT   | L    | L1   | E    | H    | H3   | K    | W    | L2   | T    | SW      | BW   |      |
|------|--------|------|------|------|------|------|------|------|------|------|---------|------|------|
| DN40 | 1-1/2" | 1.45 | 4.97 | 1.97 | 6.37 | 3.61 | 2.96 | 1.96 | 3.59 | 0.51 | PT      | 1.92 | 1.61 |
|      |        |      |      |      |      |      |      |      |      |      | PF      |      |      |
|      |        |      |      |      |      |      |      |      |      |      | 228     |      |      |
| DN50 | 2"     | 1.96 | 5.51 | 2.55 | 6.37 | 4.03 | 3.36 | 1.96 | 5.60 | 0.62 | NPT     | 2.40 | 2.06 |
|      |        |      |      |      |      |      |      |      |      |      | DIN2999 |      |      |
|      |        |      |      |      |      |      |      |      |      |      |         |      |      |