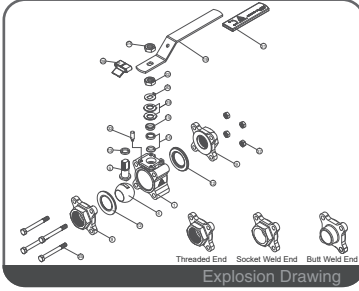
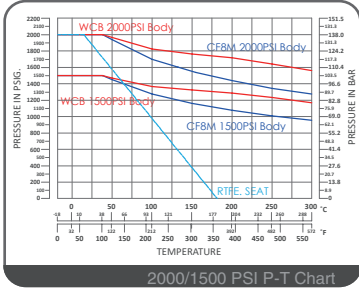




V-155A

Three Pieces Ball Valve 2000/1500/1000 PSI Reduced Bore / 1/2" ~ 4"



FEATURES

- Investment Cast Body Construction
- ISO 5211 Mounting Flange Design
- 3 Pieces Body Design / In-Line Maintenance
- Integral Seat & Body Seal Design
- Blow-Out-Proof Stem Design & Anti-Static Device
- Locking Device
- NACE MR0175 is available upon request
- Super Alloy materials for highly corrosive medium are available upon request

AUTOMATION AVAILABLE

SPECIFICATIONS

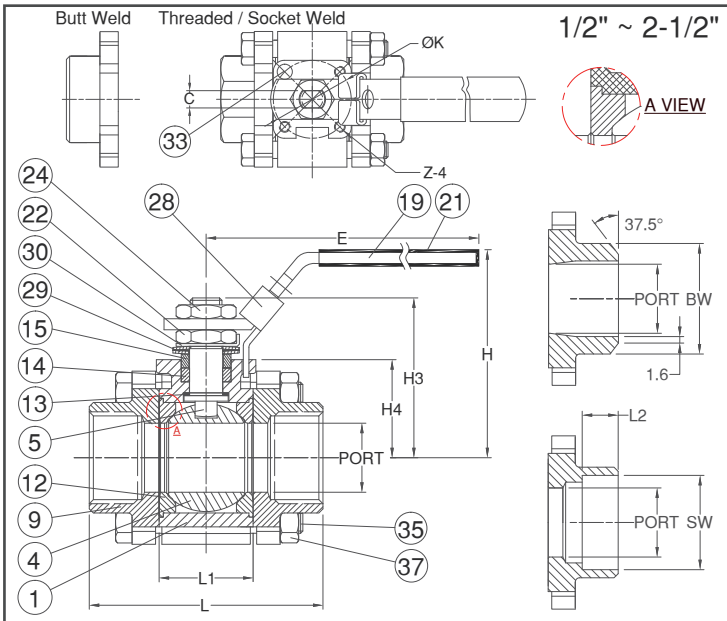
- Size Range: 1/2" ~ 4" (DN15 ~ DN100)
- End Connection: Threaded / Socket / Butt Weld Ends
- Working Pressure: 2000PSI (CWP) for 1/2" ~ 1-1/4"
1500PSI (CWP) for 1-1/2" ~ 2-1/2"
1000PSI (CWP) for 3" ~ 4"
- Steam Pressure: 150 PSIG. Saturated Steam for RTFE.
- Temperature Range: -4 to 356 °F (-20 to 180 °C) for RTFE.

STANDARDS

- Design: EN-12516-1/2/3
- Mounting Flange: ISO 5211
- Threaded End: NPT/ BS 21 (BSP) / BSPT / ISO 228-1 / DIN 2999 / ISO 7-1Rp
- Socket Weld End: ASME/ANSI B16.11
- Butt Weld End: ASME/ANSI B16.25
- Face to Face: MFG Standard
- Material: ASTM
- Pressure Testing: API 598

CERTIFICATE

- Fire Safe **OPTION**: API 607 Fire Safe Design
- Quality Assurance: ISO 9001
- Material Certificate: EN 10204-3.1 MTR
- CE Approval: PED 97/23/EC Module H
- Canadian Certificate: CRN



MATERIAL LIST

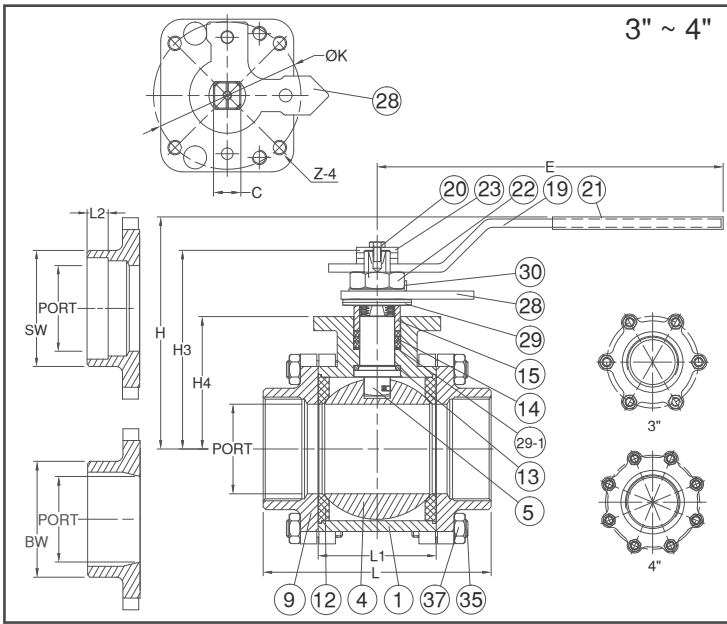
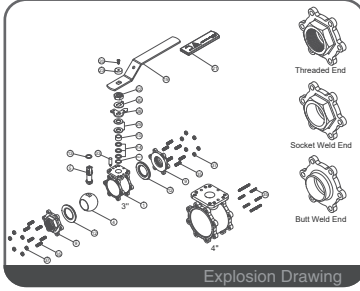
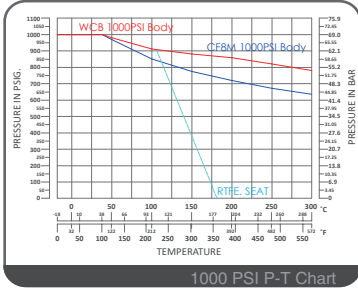
| NO. | PART NAME | MATERIAL (more options available) |
|-----|-------------------|--|
| 1 | BODY | ASTM A351 Gr.CF8M ASTM A216 Gr.WCB |
| 4 | BALL | ASTM A351 Gr.CF8M |
| 5 | STEM | ASTM A276 Gr.316 |
| 9 | END CAP | ASTM A351 Gr.CF8M ASTM A216 Gr.WCB |
| 12 | SEAT | RTFE.(15%G.F.) |
| 13 | THRUST WASHER | PTFE. |
| 14 | STEM PACKING | PTFE. |
| 15 | GLAND | SS304 |
| 19 | HANDLE | SS304 |
| 21 | HANDLE COVER | PLASTIC |
| 22 | STEM NUT | SS304 |
| 24 | HANDLE NUT | SS304 |
| 28 | LOCKING DEVICE | SS304 |
| 29 | BELLEVILLE WASHER | SS301 |
| 30 | TAB WASHER | SS304 |
| 33 | STOP PIN | SS304 |
| 35 | BODY BOLT | SS304 |
| 37 | BOLT NUT | SS304 |

DIMENSION

| SIZE | PORT | | L | | L1 | E | H | H3 | H4 | C | ØK | Z | L2 | SW | BW | | |
|------|--------|------|-------|-------|-------|------|-----|-----|------|------|----|----|-----|---------|----|------|------|
| | TH/SW | BW | TH/SW | BW | | | | | | | | | | | | | |
| DN15 | 1/2" | 12.5 | 12.5 | 69.4 | 67.5 | 22.5 | 102 | 64 | 46.9 | 31.6 | 5 | 36 | F03 | M5x0.8P | 10 | 21.8 | 21.3 |
| DN20 | 3/4" | 15.0 | 15.0 | 69.5 | 71.5 | 22.5 | 102 | 64 | 46.9 | 31.6 | 5 | 36 | F03 | M5x0.8P | 13 | 27.4 | 26.7 |
| DN25 | 1" | 20.0 | 20.0 | 77.5 | 78.5 | 27.5 | 102 | 67 | 50.2 | 33.8 | 5 | 36 | F03 | M5x0.8P | 13 | 34.1 | 33.4 |
| DN32 | 1-1/4" | 25.0 | 25.0 | 86.0 | 88.0 | 34.0 | 145 | 76 | 56.0 | 35.5 | 8 | 42 | F04 | M5x0.8P | 13 | 42.7 | 42.2 |
| DN40 | 1-1/2" | 32.0 | 32.0 | 99.5 | 99.5 | 42.5 | 145 | 80 | 61.3 | 40.3 | 8 | 42 | F04 | M5x0.8P | 13 | 49.0 | 48.3 |
| DN50 | 2" | 38.0 | 38.0 | 113.6 | 108.4 | 52.0 | 162 | 92 | 75.0 | 46.5 | 10 | 50 | F05 | M6x1.0P | 16 | 61.2 | 60.3 |
| DN65 | 2-1/2" | 50.0 | 50.0 | 142.1 | 130.1 | 63.5 | 162 | 101 | 83.0 | 55.5 | 10 | 50 | F05 | M6x1.0P | 16 | 77.0 | 73.0 |

DIMENSION

| SIZE | PORT | | L | | L1 | E | H | H3 | H4 | C | ØK | Z | L2 | SW | BW | | |
|------|--------|------|-------|------|------|------|------|------|------|------|------|------|-----|---------|------|------|------|
| | TH/SW | BW | TH/SW | BW | | | | | | | | | | | | | |
| DN15 | 1/2" | 0.49 | 0.49 | 2.73 | 2.66 | 0.89 | 4.02 | 2.52 | 1.85 | 1.24 | 0.20 | 1.42 | F03 | M5x0.8P | 0.39 | 0.86 | 0.84 |
| DN20 | 3/4" | 0.59 | 0.59 | 2.74 | 2.81 | 0.89 | 4.02 | 2.52 | 1.85 | 1.24 | 0.20 | 1.42 | F03 | M5x0.8P | 0.51 | 1.08 | 1.05 |
| DN25 | 1" | 0.79 | 0.79 | 3.05 | 3.09 | 1.08 | 4.02 | 2.64 | 1.98 | 1.33 | 0.20 | 1.42 | F03 | M5x0.8P | 0.51 | 1.34 | 1.31 |
| DN32 | 1-1/4" | 0.98 | 0.98 | 3.39 | 3.46 | 1.34 | 5.71 | 2.99 | 2.20 | 1.40 | 0.31 | 1.65 | F04 | M5x0.8P | 0.51 | 1.68 | 1.66 |
| DN40 | 1-1/2" | 1.26 | 1.26 | 3.92 | 3.92 | 1.67 | 5.71 | 3.15 | 2.41 | 1.59 | 0.31 | 1.65 | F04 | M5x0.8P | 0.51 | 1.93 | 1.90 |
| DN50 | 2" | 1.50 | 1.50 | 4.47 | 4.27 | 2.05 | 6.38 | 3.62 | 2.95 | 1.83 | 0.39 | 1.97 | F05 | M6x1.0P | 0.63 | 2.41 | 2.37 |
| DN65 | 2-1/2" | 1.97 | 1.97 | 5.59 | 5.12 | 2.50 | 6.38 | 3.98 | 3.27 | 2.19 | 0.39 | 1.97 | F05 | M6x1.0P | 0.63 | 3.03 | 2.87 |



FEATURES

- Investment Cast Body Construction
- ISO 5211 Mounting Flange Design
- 3 Pieces Body Design / In-Line Maintenance
- Integral Seat & Body Seal Design
- Blow-Out-Proof Stem Design & Anti-Static Device
- Locking Device
- NACE MR0175 is available upon request
- Super Alloy materials for highly corrosive medium are available upon request

AUTOMATION AVAILABLE

SPECIFICATIONS

- Size Range 1/2" ~ 4" (DN15 ~ DN100)
- End Connection Threaded / Socket / Butt Weld Ends
- Working Pressure 2000PSI (CWP) for 1/2" ~ 1-1/4"
1500PSI (CWP) for 1-1/2" ~ 2-1/2"
1000PSI (CWP) for 3" ~ 4"
- Steam Pressure 150 PSIG. Saturated Steam for RTFE.
- Temperature Range -4 to 356 °F (-20 to 180 °C) for RTFE.

STANDARDS

- Design EN-12516-1/2/3
- Mounting Flange ISO 5211
- Threaded End NPT/ BS 21 (BSP) / BSPT / ISO 228-1 / DIN 2999 / ISO 7-1Rp
- Socket Weld End ASME/ANSI B16.11
- Butt Weld End ASME/ANSI B16.25
- Face to Face MFG Standard
- Material ASTM
- Pressure Testing API 598

CERTIFICATE

- Fire Safe **OPTION** API 607 Fire Safe Design
- Quality Assurance ISO 9001
- Material Certificate EN 10204-3.1 MTR
- CE Approval PED 97/23/EC Module H
- Canadian Certificate CRN

| MATERIAL LIST | | | DIMENSION | | | | | | | | | | | | | | unit : mm | | | |
|---------------|-------------------|--|-----------|----|------|------|-------|-------|-------|-------|-------|-------|-------|------|------|-----|-----------|------|-------|-------|
| NO. | PART NAME | MATERIAL (more options available) | SIZE | | PORT | | L | | L1 | E | H | H3 | H4 | C | ØK | Z | L2 | SW | BW | |
| | | | TH | SW | BW | TH | SW | BW | | | | | | | | | | | | |
| 1 | BODY | ASTM A351 Gr.CF8M ASTM A216 Gr.WCB | DN80 | 3" | 65.0 | 65.0 | 180.0 | 170.7 | 85.5 | 265 | 168.0 | 144.0 | 96.0 | 18.9 | 102 | F10 | M10x1.5P | 16 | 90.2 | 88.9 |
| 4 | BALL | ASTM A351 Gr.CF8M | | | | | | | | | | | | | | | | | | |
| 5 | STEM | ASTM A276 Gr.316 ASTM A351 Gr.CF8M | DN100 | 4" | 80.0 | 80.0 | 206.0 | 190.5 | 102.0 | 265 | 176.6 | 152.6 | 104.5 | 18.9 | 102 | F10 | M10x1.5P | 22 | 115.3 | 114.3 |
| 9 | END CAP | ASTM A216 Gr.WCB | | | | | | | | | | | | | | | | | | |
| 12 | SEAT | RTFE.(15%G.F.) | | | | | | | | | | | | | | | | | | |
| 13 | THRUST WASHER | PTFE. | | | | | | | | | | | | | | | | | | |
| 14 | STEM PACKING | NRG | | | | | | | | | | | | | | | | | | |
| 15 | GLAND BUSH | SS304 | | | | | | | | | | | | | | | | | | |
| 19 | HANDLE | SS304 | | | | | | | | | | | | | | | | | | |
| 20 | SET SCREW | SS304 | | | | | | | | | | | | | | | | | | |
| 21 | HANDLE COVER | PLASTIC | | | | | | | | | | | | | | | | | | |
| 22 | STEM NUT | SS304 | | | | | | | | | | | | | | | | | | |
| 23 | HANDLE WASHER | SS304 | | | | | | | | | | | | | | | | | | |
| 28 | STOP PLATE | SS304 | | | | | | | | | | | | | | | | | | |
| 29 | BELLEVILLE WASHER | SUS304-CSP | | | | | | | | | | | | | | | | | | |
| 29-1 | STEM PACKING RING | SS304 | | | | | | | | | | | | | | | | | | |
| 30 | TAB WASHER | SS304 | | | | | | | | | | | | | | | | | | |
| 35 | BODY BOLT | SS304 | DN100 | 4" | 3.15 | 3.15 | 8.11 | 7.50 | 4.02 | 10.43 | 6.95 | 6.01 | 4.11 | 0.74 | 4.02 | F10 | M10x1.5P | 0.87 | 4.54 | 4.50 |
| 37 | BOLT NUT | SS304 | | | | | | | | | | | | | | | | | | |