

Fig No: MD-55 Full Bore
1/2"~ 6" DN15~DN150



Feature :

- Investment Casting Component
- ISO 5211 direct mounting type
- Blow-out-proof stem, Anti-Static Design
- For General Chemical and Industrial application
- Carbon steel or Super Alloy upon request

Standard Compliance:

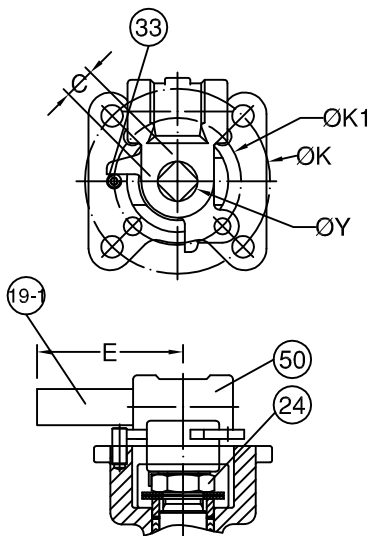
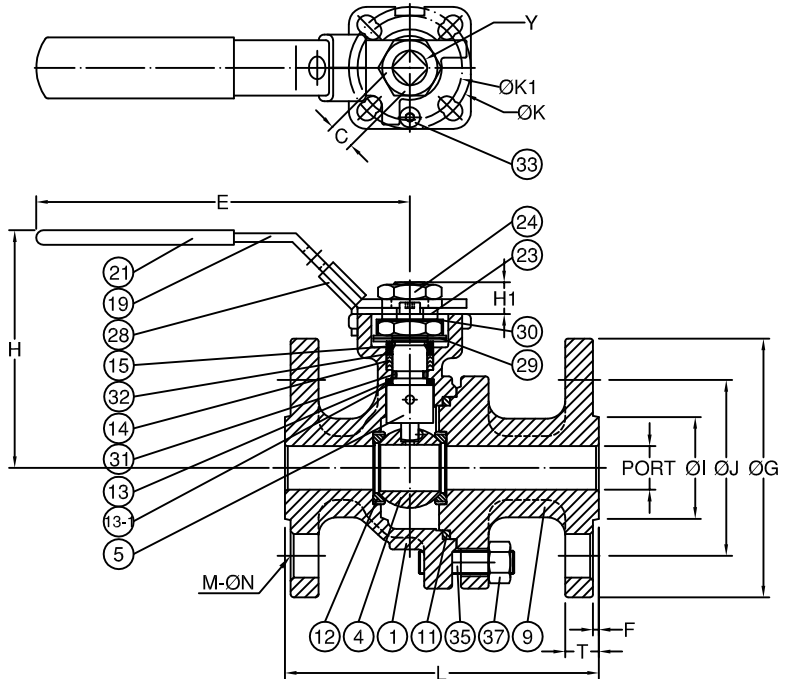
- Body wall thickness : B16.34
- Face to Face : ANSI B16.10 Class 150 RF
- Flange Dimension : ANSI B16.5 Class 150
- Body Material : ASME A351
- Pressure testing : EN12266

Standard Compliance:

- End connection : Flange RF
- Working pressure : 275 psi (CWP)
- Temperature : -20 ~ 180 °C

MATERIALS LIST

NO.	PART NAME	MATERIAL
1	BODY	ASTM A351 Gr.CF8M
4	BALL	ASTM A351 Gr.CF8M
5	STEM	SS316
9	END CAP	ASTM A351 Gr.CF8M
11	BODY SEAL	PTFE.
12	SEAT	RTFE.
13	THRUST WASHER	PTFE.
13-1	THRUST WASHER	RTFE.
14	STEM PACKING	PTFE.
15	GLAND	SS304
19	HANDLE	SS304
19-1	PIPE GRIP	S15C
21	HANDLE COVER	PLASTIC
23	HANDLE WASHER	SS304
24	HANDLE NUT	SS304
28	LOCKING DEVICE	SS304
29	BELLE WASHER	SS301
30	TAB WASHER	SS304
31	O-RING	BUNA N
32	PACKING FOLLOWER	RTFE.
33	STOP PIN	SS304
35	BODY STUD	SS304
37	BOLT NUT	SS304
50	HANDLE ADAPTER	ASTM A351Gr.CF8



2-1/2" ~ 6"

DIMENSIONS

unit:mm

SIZE	PORT	L	E	H	H1	C	Y	ØG	ØJ	ØI	T	F	M	ØN	ØK	ØK1	
DN15	1/2"	15.0	108.0	127.0	80.8	9.0	9.0	12.0	89.0	60.5	35.0	11.6	2.0	4	16.0	36.0	42.0
DN20	3/4"	20.0	117.0	127.0	83.8	9.0	9.0	12.0	98.0	70.0	43.0	11.6	2.0	4	16.0	36.0	42.0
DN25	1"	25.4	127.0	165.0	89.7	9.0	11.0	14.0	108.0	79.5	51.0	12.0	2.0	4	16.0	42.0	50.0
DN32	1-1/4"	32.0	140.0	165.0	101.0	11.0	11.0	14.0	117.5	88.9	63.5	13.3	2.0	4	16.0	42.0	50.0
DN40	1-1/2"	38.0	165.0	190.5	109.2	14.0	14.0	18.0	127.0	98.5	73.0	15.2	2.0	4	16.0	50.0	70.0
DN50	2"	50.0	178.0	190.5	117.7	14.0	14.0	18.0	152.0	120.5	92.0	16.3	2.0	4	19.0	50.0	70.0
DN65	2-1/2"	63.0	190.0	222.5	168.9	17.5	17.0	22.0	178.0	139.5	105.0	18.0	2.0	4	19.0	70.0	102.0
DN80	3"	80.0	203.0	222.5	177.4	17.5	17.0	22.0	190.5	152.5	127.0	19.5	2.0	4	19.0	70.0	102.0
DN100	4"	98.0	229.0	222.5	192.4	17.5	17.0	22.0	229.0	190.5	157.0	24.3	2.0	8	19.0	70.0	102.0
DN125	5"	125.0	356.0	345.0	230.5	28.0	27.0	35.0	254.0	216.0	186.0	24.5	2.0	8	22.0	102.0	125.0
DN150	6"	152.0	394.0	345.0	249.1	28.0	27.0	35.0	279.0	241.5	216.0	25.8	2.0	8	22.0	102.0	125.0

DIMENSIONS

unit:inch

SIZE	PORT	L	E	H	H1	C	Y	ØG	ØJ	ØI	T	F	M	ØN	ØK	ØK1	
DN15	1/2"	0.59	4.25	5.00	3.18	9.0	9.0	0.47	3.50	2.38	1.38	0.46	0.08	4	0.63	1.42	1.65
DN20	3/4"	0.79	4.61	5.00	3.30	9.0	9.0	0.47	3.86	2.76	1.69	0.46	0.08	4	0.63	1.42	1.65
DN25	1"	1.00	5.00	6.50	3.53	9.0	11.0	0.55	4.25	3.13	2.01	0.47	0.08	4	0.63	1.65	1.97
DN32	1-1/4"	1.26	5.51	6.50	3.98	11.0	11.0	0.55	4.63	3.50	2.50	0.52	0.08	4	0.63	1.65	1.97
DN40	1-1/2"	1.50	6.50	7.50	4.30	0.55	0.55	0.71	5.00	3.88	2.87	0.60	0.08	4	0.63	1.97	2.76
DN50	2"	1.97	7.01	7.50	4.63	0.55	0.55	0.71	5.98	4.74	3.62	0.64	0.08	4	0.75	1.97	2.76
DN65	2-1/2"	2.48	7.48	8.76	6.65	0.69	17.0	0.87	7.01	5.49	4.13	0.71	0.08	4	0.75	2.76	4.02
DN80	3"	3.15	7.99	8.76	6.98	0.69	17.0	0.87	7.50	6.00	5.00	0.77	0.08	4	0.75	2.76	4.02
DN100	4"	3.86	9.02	8.76	7.57	0.69	17.0	0.87	9.02	7.50	6.18	0.96	0.08	8	0.75	2.76	4.02
DN125	5"	4.92	14.02	13.58	9.07	1.10	27.0	1.38	10.00	8.50	7.32	0.96	0.08	8	0.87	4.02	4.92
DN150	6"	5.98	15.51	13.58	9.81	1.10	27.0	1.38	10.98	9.51	8.50	1.02	0.08	8	0.87	4.02	4.92