



Fig No: MD-64-2500 Full Bore
2"~12"



Feature:

- Design: API6D, ASME B16.34, API607/ API6FA fire safe design
- Side entry ball
- Anti-static design, Anti blow-out-stem
- Carbon steel or special alloy upon request
- Cast steel are also supplied in full compliance with NACE MR0175

Service:

- General, Low Temperature, Cryogenic, Sub sea, Oil & Gas application, High temperature, Underground

Design:

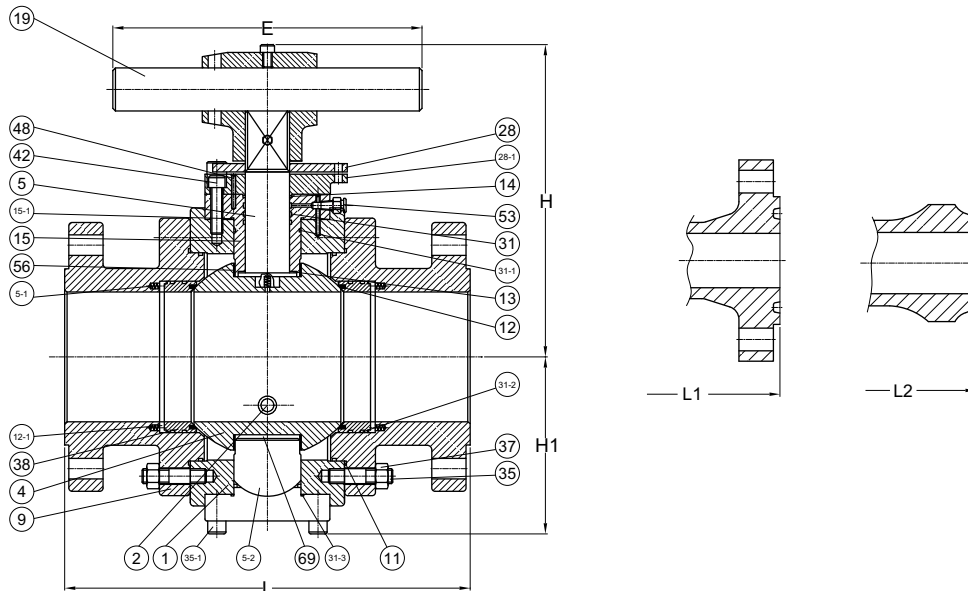
- 3-pc Design, by forged
- Full Bore
- Face to face: ASME B16.10
- Flange connection: ASME B16.5 Class 2500 RF (Above size 26", which would compliance with ASME B16.47)
- Pressure-Temperature Rating: ASME/ANSI B16.34
- Testing and inspection: API6D, API598

- Automatically Drain Plug (NPT) on Body(2"~4" - option, Upward 6" - Basic function)
- Double bleed and Block (2"~4" - option, Upward 6" - Basic function)
- Sealant Emergently Injection Fittings (2"~4" - option, Upward 6" - Basic function)

Options:

- With Locking Device
- Extended Stem (Cryogenic application)
- Actuator installation
- Gear Box

Size:2"~4"



DIMENSIONS(CLASS 2500Lb)

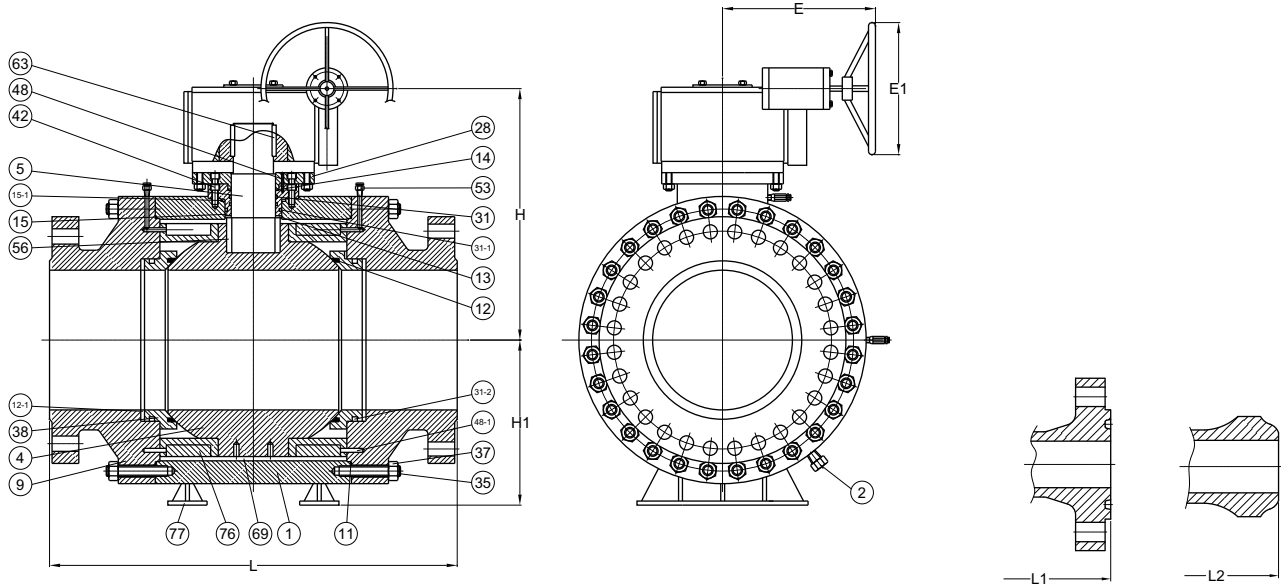
unit:mm

| SIZE | L | L1 | L2 | E | H | H1 | Wt (kg) |
|-------|--------|-------|-------|-------|--------|-------|---------|
| DN50 | 2" | 451.0 | 454.0 | 451.0 | 1000.0 | 240.0 | 108.0 |
| DN65 | 2-1/2" | 508.0 | 514.0 | 508.0 | 1000.0 | 270.0 | 135.0 |
| DN80 | 3" | 578.0 | 584.0 | 578.0 | 1000.0 | 300.0 | 215.0 |
| DN100 | 4" | 673.0 | 683.0 | 673.0 | -- | 350.0 | 389.0 |



Fig No: MD-64-2500 Full Bore

Size:6"~12"



MATERIALS LIST

| NO. | DESCRIPTION | MATERIAL |
|------|----------------------|---|
| 1 | BODY | A105,A350-LF2,A182-F304,F316,F304L,F316L,F321,F51,F53 |
| 2 | DRAIN VALVE AND PLUG | 1025,SS304,SS316,SS304L,SS316L,SS321,F51,F53 |
| 4 | BALL | A105+ENP,A182-F8,F304,F316,F304L,F316L,F321,F51,F53 |
| 5 | STEM | 1045+ENP,A182-F6,F304,F316,F304L,F316L,F321,F51,F53,4140+ENP,17-4PH |
| 9 | ADAPTER | A105,A350-LF2,A182-F304,F316,F304L,F316L,F321,F51,F53 |
| 11 | GASKET | SS304,SS316+FLEXIBLE GRAPHITE SPIRAL WOUND |
| 12 | SEAT | PTFE,RTFE,PEEK,PPL,POM,KARBATE,NYLON,MOLON,DEVLON |
| 12-1 | SEAT RING | A105+ENP,A182-F8,F304,F316,F304L,F316L,F321,F51,F53 |
| 13 | THRUST WASHER | PTFE,RTFE,STAINLESS STEEL+N |
| 14 | PACKING | FLEXIBLE GRAPHITE |
| 15 | STUFFING BOX | A105+ENP,A182-F8,F304,F316,F304L,F316L,F321,F51,F53 |
| 15-1 | SEALING RING | SS304,SS316+FLEXIBLE GRAPHITE SPIRAL WOUND |
| 28 | CONNECTION PLATE | 1025,A216 WCB,A351 CF8 |
| 31 | O-RING | VITON |
| 31-1 | O-RING | NBR,VITON |
| 31-2 | O-RING | VITON |
| 35 | BOLT | A194-B7,B7M,B8,B8M |
| 37 | NUT | A194-2H,2HM,8,8M |
| 38 | SEALING RING | FLEXIBLE GRAPHITE |
| 42 | SCREW | 1035,STAINLESS STEEL |
| 48 | PIN | ANSI 1566,STAINLESS STEEL |
| 48-1 | PIN | 1045,STAINLESS STEEL |
| 53 | GREASE FITTING | 1025,SS304,SS316,SS304L,SS316L,SS321,F51,F53 |
| 56 | BEARING | 1045+RPTFE.,SS304+RPTFFE.,SS316+RPTFE. |
| 62 | KEY | 1045 |
| 69 | ADJUSTING RING | PTFE,1045+RPTFE,STAINLESS STEEL+RPTFE |
| 76 | BEARING RETAINER | 1025,A216-WCB,STAINLESS STEEL |
| 77 | SUPPORT LEG | 1025 |



API 6D Trunnion Mounted Ball Valve



Fig No: MD-64-2500 Full Bore

DIMENSIONS(CLASS 2500Lb)

unit:mm

| SIZE | | L | L1 | L2 | E | E1 | H | H1 | Wtl (kg) | WtlI (kg) |
|-------|-----|--------|--------|--------|-------|-------|-------|-------|-------------|--------------|
| DN150 | 6" | 914.0 | 927.0 | 914.0 | 430.0 | 450.0 | 345.0 | 250.0 | 981.0 | 934.0 |
| DN200 | 8" | 1022.0 | 1038.0 | 1022.0 | 510.0 | 500.0 | 402.0 | 340.0 | 1497.0 | 1426.0 |
| DN250 | 10" | 1270.0 | 1292.0 | 1270.0 | 510.0 | 500.0 | 500.0 | 411.0 | 2527.0 | 2407.0 |
| DN300 | 12" | 1422.0 | 1445.0 | 1422.0 | 530.0 | 550.0 | 650.0 | 480.0 | 3967.0 | 3778.0 |

* (R) Reduce Bore (C) Regular Bore

* Modentic Reserves The Rights To Change Any Details Without Prior Notice.