



Fig No: MD-67-1500 Reduced Bore

3"x2"~16"x14"



Feature:

Design: API6D, ASME B16.34, API607/ API6FA fire safe design
 Side entry ball
 Anti-static design, Anti blow-out-stem
 Carbon steel or special alloy upon request
 Cast steel are also supplied in full compliance with NACE MR0175

Service:

General, Low Temperature, Cryogenic, Sub sea, Oil & Gas application, High temperature, Underground

Design:

2-pc Design, by casting
 Reduce Bore
 Face to face: ASME B16.10
 Flange connection: ASME B16.5 Class 1500 RF (Above size 26", which would compliance with ASME B16.47)
 Pressure-Temperature Rating: ASME/ANSI B16.34
 Testing and inspection: API6D, API598

- Automatically Drain Plug (NPT) on Body(2"~4" - option, Upward 6" - Basic function)
- Double bleed and Block(2"~4" - option, Upward 6" - Basic function)
- Sealant Emergently Injection Fittings(2"~4" - option, Upward 6" - Basic function)

Options:

- With Locking Device
- Extended Stem (Cryogenic application)
- Actuator installation
- Gear Box

Size: 3" x 2" ~8" x 4"

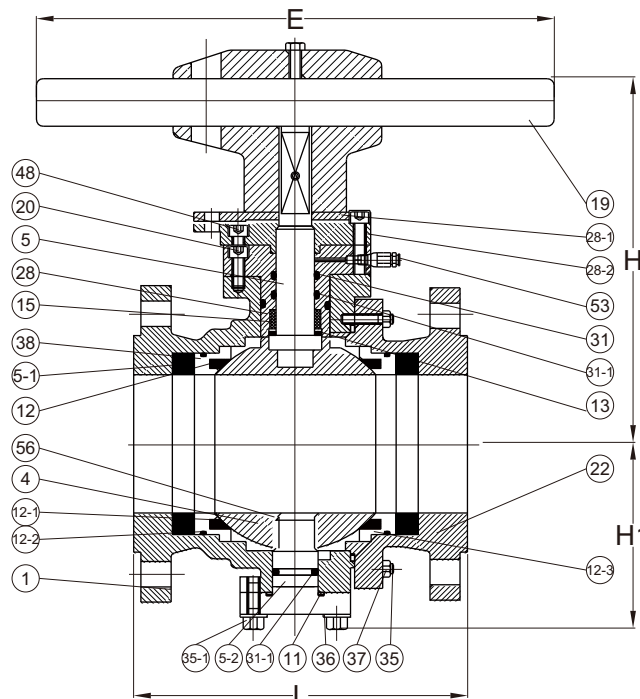




Fig No: MD-67-1500 Reduced Bore

MATERIALS LIST

| NO. | DESCRIPTION | MATERIAL |
|------|------------------|--|
| 1 | BODY | A216-WCB,WCC,A352-LCB,A351-CF8,CF8M,CF3,CF3M,CN7M,CF8C,CDMCu,CN-3MN |
| 4 | BALL | A105+ENP,A182-F6,F304,F316,F304L,F316L,F321,F51,F53,ALLOY-20 |
| 5 | STEM | 1045+ENP,A182-F6,F304,F316,F304L,F316L,F321,F51,F53,ALLOY-20,4140+ENP,17-4PH |
| 5-1 | SPRING | SS304,INCONEL,1566+ENP |
| 5-2 | TRUNNION | 1045+ENP,A182-F6,F304,F316,F304L,F316L,F321,F51,F53,ALLOY-20,4140+ENP,17-4PH |
| 9 | CAP | A216-WCB,WCC,A352-LCB,A351-CF8,CF8M,CF3,CF3M,CN7M,CF8C,CD4MCu,CN-3MN |
| 11 | GASKET | SS304,SS316+FLEXIBLE GRAPHITE |
| 12 | SEAT | PTFE,RPTFE,NYLON,PEEK,PPL,POM, KARBATE,MOLON,DEVLON |
| 12-1 | SEALING RING | FLEXIBLE GRAPHITE |
| 12-2 | SEALING RING | SS304,SS316+FLEXIBLE GRAPHITE SPIRAL WOUND |
| 12-3 | O-RING | VITON |
| 13 | THRUST WASHER | PTFE,RPTFE,STAINLESS STEEL+N |
| 15 | PACKING | FLEXIBLE GRAPHITE |
| 19 | LEVER | A216-WCB+1020 |
| 20 | SCREW | 1035,STAINLESS STEEL |
| 28 | STUFFING BOX | A105+ENP,A182-F6,F304,F316,F304L,F316L,F321,F51,F53,ALLOY-20 |
| 28-1 | LIMITED PLATE | 1035,STAINLESS STEEL |
| 28-2 | CONNECTING PLATE | 1025,A216-WCB,A351-CF8 |
| 31 | O-RING | VITON |
| 31-1 | O-RING | NBR,VITON |
| 31-2 | O-RING | NBR,VITON |
| 35 | BOLT | A193-B7,B7M,B8,B8M |
| 35-1 | SCREW | PL1035,STAINLESS STEEL |
| 36 | ADJUST WASHER | PTFE,1045+RPTFE,STAINLESS STEEL+RPTFE |
| 37 | NUT | A194-2H,2HM,8,8M |
| 38 | SEAT RING | A105+ENP,A182-F6,F304,F316,F304L,F316L,F321,F51,F53,ALLOY-20 |
| 48 | PIN | ANSI 1566 |
| 53 | OIL CUP | 1025,SS304 |
| 56 | BEARING | 1045+RPTFE,SS304+RPTFE,SS316+RPTFE |

ANSI CLASS 1500 DIMENSIONS

unit:mm

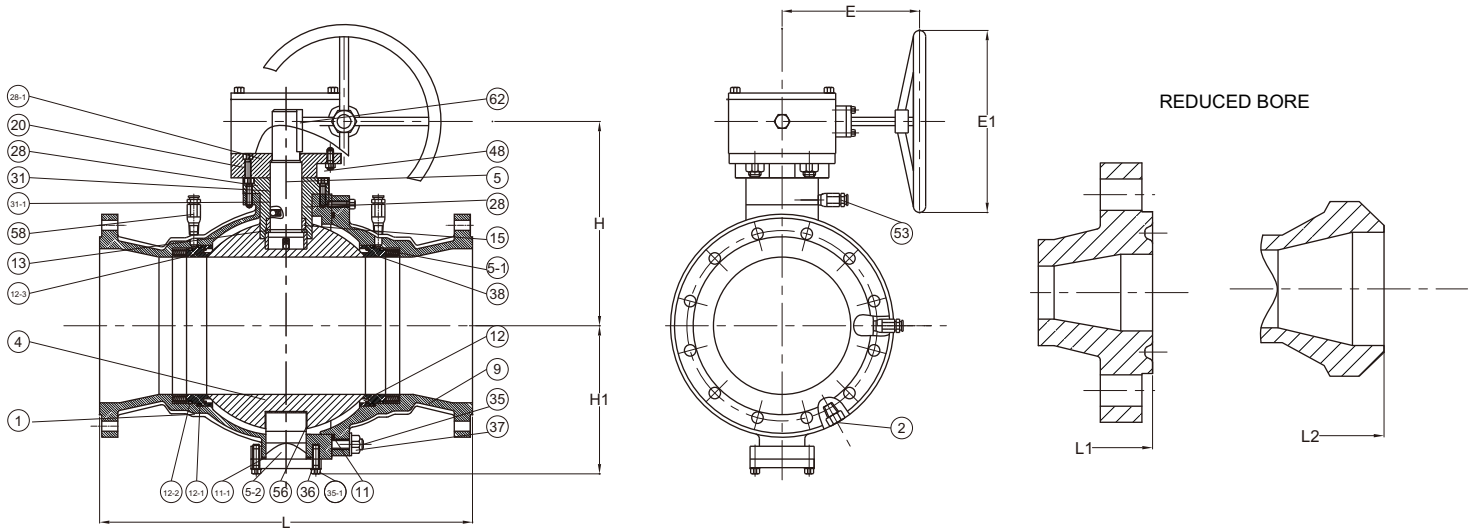
| SIZE | | L | L1 | L2 | E | H | H1 | Wt (kg) |
|----------|---|-------|-------|-------|--------|-------|-------|---------|
| 3x2" | Ⓒ | 470.0 | 473.0 | 470.0 | 800.0 | 237.0 | 122.0 | 50.0 |
| 3x2-1/2" | Ⓒ | 470.0 | 473.0 | 470.0 | 900.0 | 261.0 | 148.0 | 70.0 |
| 4x2-1/2" | Ⓓ | 546.0 | 460.0 | 546.0 | 900.0 | 261.0 | 148.0 | 86.0 |
| 4x3" | Ⓒ | 546.0 | 460.0 | 546.0 | 1000.0 | 269.0 | 163.0 | 108.0 |
| 6x3" | Ⓓ | 705.0 | 613.0 | 705.0 | 1000.0 | 269.0 | 163.0 | 160.0 |
| 6x4" | Ⓒ | 705.0 | 613.0 | 705.0 | --- | 297.0 | 173.0 | 225.0 |
| 8x4" | Ⓓ | 832.0 | 740.0 | 832.0 | --- | 297.0 | 173.0 | 297.0 |

* Ⓓ Reduce Bore Ⓒ Regular Bore



Fig No: MD-67-1500 Reduced Bore

Size: 8" x 6" ~ 16" x 14"



MATERIALS LIST

| NO. | PART NAME | MATERIAL |
|------|----------------------|--|
| 1 | BODY | A216-WCB,WCC,A352-LCB,A351-CF8,CF8M,CF3,CF3M,CN7M,CF8C,CDMCu,CN-3MN |
| 2 | DRAIN VALVE AND PLUG | 1025,SS304,SS316,SS304L,SS316L,SS321,F51,F53 |
| 4 | BALL | A105+ENP,A182-F6,F304,F316,F304L,F316L,F321,F51,F53,ALLOY-20 |
| 5 | STEM | 1045+ENP,A182-F6,F304,F316,F304L,F316L,F321,F51,F53,ALLOY-20,4140+ENP,17-4PH |
| 5-1 | SPRING | SS304,INCONEL,1566+ENP |
| 5-2 | TRUNNION | 1045+ENP,A182-F6,F304,F316,F304L,F316L,F321,F51,F53,ALLOY-20,4140+ENP,17-4PH |
| 9 | CAP | A216-WCB,WCC,A352-LCB,A351-CF8,CF8M,CF3,CF3M,CN7M,CF8C,CD4MCu,CN-3MN |
| 11 | GASKET | SS304,SS316+FLEXIBLE GRAPHITE |
| 11-1 | O-RING | NBR,VITON |
| 12 | SEAT | PTFE,RPTFE,NYLON,PEEK,PPL,POM, KARBATE,MOLON,DEVLON |
| 12-1 | SEALING RING | FLEXIBLE GRAPHITE |
| 12-2 | SEALING RING | SS304,SS316+FLEXIBLE GRAPHITE SPIRAL WOUND |
| 12-3 | O-RING | VITON |
| 13 | THRUST WASHER | PTFE,RPTFE,STAINLESS STEEL+N |
| 15 | PACKING | FLEXIBLE GRAPHITE |
| 20 | SCREW | 1035,STAINLESS STEEL |
| 28 | STUFFING BOX | A105+ENP,A182-F6,F304,F316,F304L,F316L,F321,F51,F53,ALLOY-20 |
| 28-1 | CONNECTING PLATE | 1025,A216-WCB,A351-CF8 |
| 31 | O-RING | VITON |
| 31-1 | O-RING | NBR,VITON |
| 35 | BOLT | A193-B7,B7M,B8,B8M |
| 35-1 | SCREW | PL1035,STAINLESS STEEL |
| 36 | ADJUST WASHER | PTFE,1045+RPTFE,STAINLESS STEEL+RPTFE |
| 37 | NUT | A194-2H,2HM,8,8M |
| 38 | SEAT RING | A105+ENP,A182-F6,F304,F316,F304L,F316L,F321,F51,F53,ALLOY-20 |
| 48 | PIN | ANSI 1566 |
| 53 | OIL CUP | 1025,SS304 |
| 56 | BEARING | 1045+RPTFE,SS304+RPTFE,SS316+RPTFE |
| 58 | GREASE FITTING | 1025,SS304,SS316,SS304L,SS316L,SS321,ALLOY-20,F51,F53 |
| 62 | KEY | 1045 |



API 6D Trunnion Mounted Ball Valve

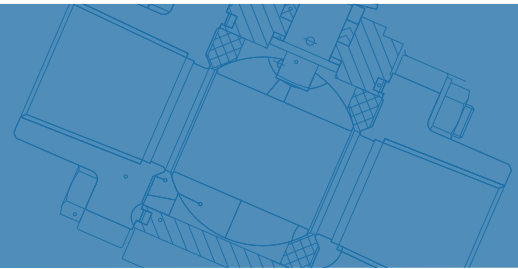


Fig No: MD-67-1500 Reduced Bore

ANSI CLASS 1500 DIMENSIONS

unit:mm

| SIZE | L | L1 | L2 | E | E1 | H | H1 | Wt(kg) |
|--------|--------|--------|--------|-------|-------|-------|-------|--------|
| 8x6" | 832.0 | 841.0 | 832.0 | 380.0 | 400.0 | 365.0 | 211.0 | 485.0 |
| 10X6" | 991.0 | 1000.0 | 991.0 | 380.0 | 400.0 | 365.0 | 211.0 | 635.0 |
| 10X8" | 991.0 | 1000.0 | 991.0 | 430.0 | 450.0 | 475.0 | 274.0 | 956.0 |
| 12X8" | 1130.0 | 1146.0 | 1130.0 | 430.0 | 450.0 | 475.0 | 274.0 | 1056.0 |
| 12X10" | 1130.0 | 1146.0 | 1130.0 | 510.0 | 500.0 | 578.0 | 310.0 | 1267.0 |
| 14X10" | 1257.0 | 1276.0 | 1257.0 | 510.0 | 500.0 | 578.0 | 310.0 | 1465.0 |
| 16x10" | 1384.0 | 1407.0 | 1384.0 | 510.0 | 500.0 | 578.0 | 310.0 | 1592.0 |
| 14X12" | 1257.0 | 1176.0 | 1257.0 | 510.0 | 500.0 | 696.0 | 485.0 | 1825.0 |
| 16X12" | 1384.0 | 1407.0 | 1384.0 | 510.0 | 500.0 | 696.0 | 485.0 | 1900.0 |
| 16X14" | 1384.0 | 1407.0 | 1384.0 | 530.0 | 550.0 | 761.0 | 510.0 | 2280.0 |

* (R) Reduce Bore (C) Regular Bore

* Modentic Reserves The Rights To Change Any Details Without Prior Notice.