

Fig No: MD-67-600 Reduced Bore

3"x2"~20"x16"



Feature:

Design: API6D, ASME B16.34, API607/ API6FA fire safe design
 Side entry ball
 Anti-static design, Anti blow-out-stem
 Carbon steel or special alloy upon request
 Cast steel are also supplied in full compliance with NACE MR0175

Service:

General, Low Temperature, Cryogenic, Sub sea, Oil & Gas application, High temperature, Underground

Design:

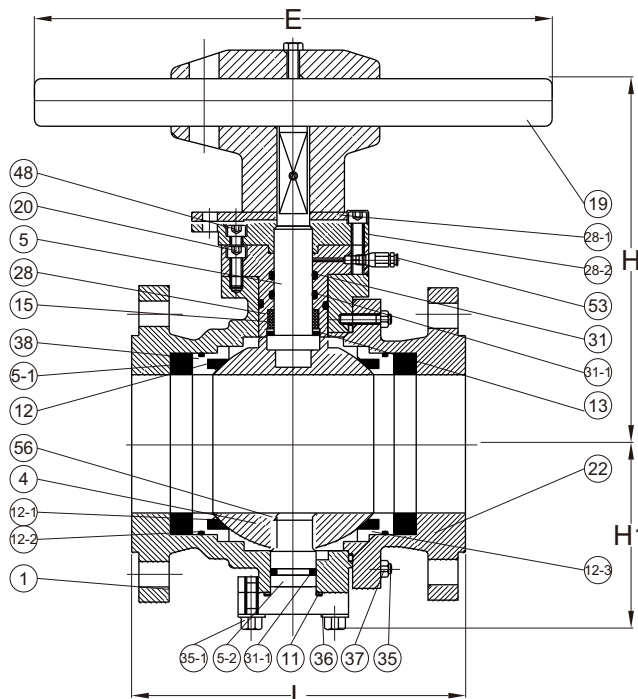
2-pc Design, by casting
 Reduce Bore
 Face to face: ASME B16.10
 Flange connection: ASME B16.5 Class 600 RF (Above size 26", which would compliance with ASME B16.47)
 Pressure-Temperature Rating: ASME/ANSI B16.34
 Testing and inspection: API6D, API598

- Automatically Drain Plug (NPT) on Body(2"~4" - option, Upward 6" - Basic function)
- Double bleed and Block(2"~4" - option, Upward 6" - Basic function)
- Sealant Emergently Injection Fittings(2"~4" - option, Upward 6" - Basic function)

Options:

- With Locking Device
- Extended Stem (Cryogenic application)
- Actuator installation
- Gear Box

Size: 3" x 2" ~8" x 4"



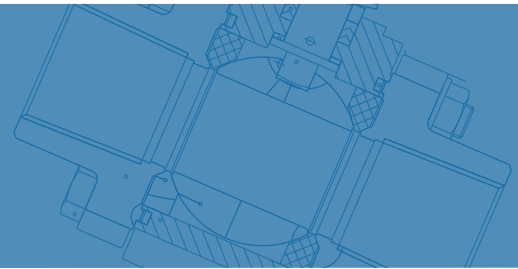


Fig No: MD-67-600 Reduced Bore

MATERIALS LIST

NO.	DESCRIPTION	MATERIAL
1	BODY	A216-WCB,WCC,A352-LCB,A351-CF8,CF8M,CF3,CF3M,CN7M,CF8C,CDMCu,CN-3MN
4	BALL	A105+ENP,A182-F6,F304,F316,F304L,F316L,F321,F51,F53,ALLOY-20
5	STEM	1045+ENP,A182-F6,F304,F316,F304L,F316L,F321,F51,F53,ALLOY-20,4140+ENP,17-4PH
5-1	SPRING	SS304,INCONEL,1566+ENP
5-2	TRUNNION	1045+ENP,A182-F6,F304,F316,F304L,F316L,F321,F51,F53,ALLOY-20,4140+ENP,17-4PH
9	CAP	A216-WCB,WCC,A352-LCB,A351-CF8,CF8M,CF3,CF3M,CN7M,CF8C,CD4MCu,CN-3MN
11	GASKET	SS304,SS316+FLEXIBLE GRAPHITE
12	SEAT	PTFE,RPTFE,NYLON,PEEK,PPL,POM, KARBATE,MOLON,DEVLON
12-1	SEALING RING	FLEXIBLE GRAPHITE
12-2	SEALING RING	SS304,SS316+FLEXIBLE GRAPHITE SPIRAL WOUND
12-3	O-RING	VITON
13	THRUST WASHER	PTFE,RPTFE,STAINLESS STEEL+N
15	PACKING	FLEXIBLE GRAPHITE
19	LEVER	A216-WCB+1020
20	SCREW	1035,STAINLESS STEEL
28	STUFFING BOX	A105+ENP,A182-F6,F304,F316,F304L,F316L,F321,F51,F53,ALLOY-20
28-1	LIMITED PLATE	1035,STAINLESS STEEL
28-2	CONNECTING PLATE	1025,A216-WCB,A351-CF8
31	O-RING	VITON
31-1	O-RING	NBR,VITON
31-2	O-RING	NBR,VITON
35	BOLT	A193-B7,B7M,B8,B8M
35-1	SCREW	PL1035,STAINLESS STEEL
36	ADJUST WASHER	PTFE,1045+RPTFE,STAINLESS STEEL+RPTFE
37	NUT	A194-2H,2HM,8,8M
38	SEAT RING	A105+ENP,A182-F6,F304,F316,F304L,F316L,F321,F51,F53,ALLOY-20
48	PIN	ANSI 1566
53	OIL CUP	1025,SS304
56	BEARING	1045+RPTFE,SS304+RPTFE,SS316+RPTFE

ANSI CLASS 600 DIMENSIONS

unit:mm

SIZE		L	L1	L2	E	H	H1	Wt (kg)
3x2"	Ⓒ	356.0	359.0	356.0	500.0	195.0	100.0	37.0
3x2-1/2"	Ⓒ	356.0	359.0	356.0	600.0	220.0	115.0	48.8
4x2-1/2"	Ⓓ	432.0	241.0	305.0	600.0	220.0	115.0	57.5
4x3"	Ⓒ	432.0	241.0	305.0	700.0	247.0	126.0	72.0
6x3"	Ⓓ	559.0	406.0	457.0	700.0	247.0	126.0	97.8
6x4"	Ⓒ	559.0	562.0	457.0	900.0	275.0	154.0	102.8
8x4"	Ⓓ	660.0	664.0	521.0	900.0	275.0	154.0	109.6

* Ⓓ Reduce Bore Ⓒ Regular Bore

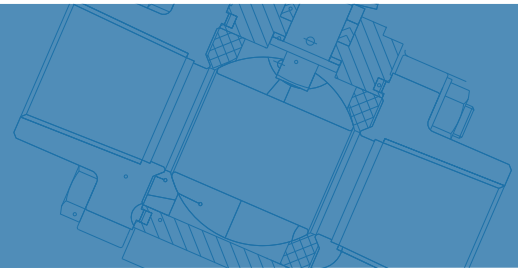
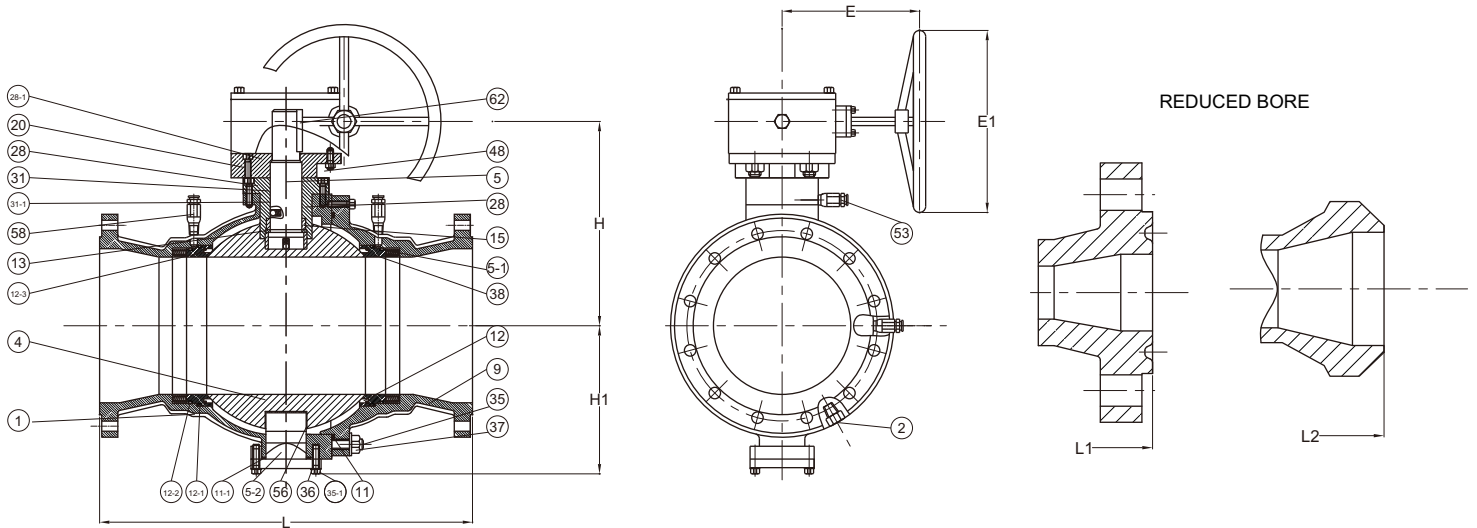


Fig No: MD-67-600 Reduced Bore

Size: 8" x 6" ~ 20" x 16"



MATERIALS LIST

NO.	PART NAME	MATERIAL
1	BODY	A216-WCB,WCC,A352-LCB,A351-CF8,CF8M,CF3,CF3M,CN7M,CF8C,CDMCu,CN-3MN
2	DRAIN VALVE AND PLUG	1025,SS304,SS316,SS304L,SS316L,SS321,F51,F53
4	BALL	A105+ENP,A182-F6,F304,F316,F304L,F316L,F321,F51,F53,ALLOY-20
5	STEM	1045+ENP,A182-F6,F304,F316,F304L,F316L,F321,F51,F53,ALLOY-20,4140+ENP,17-4PH
5-1	SPRING	SS304,INCONEL,1566+ENP
5-2	TRUNNION	1045+ENP,A182-F6,F304,F316,F304L,F316L,F321,F51,F53,ALLOY-20,4140+ENP,17-4PH
9	CAP	A216-WCB,WCC,A352-LCB,A351-CF8,CF8M,CF3,CF3M,CN7M,CF8C,CD4MCu,CN-3MN
11	GASKET	SS304,SS316+FLEXIBLE GRAPHITE
11-1	O-RING	NBR,VITON
12	SEAT	PTFE,RPTFE,NYLON,PEEK,PPL,POM, KARBATE,MOLON,DEVLON
12-1	SEALING RING	FLEXIBLE GRAPHITE
12-2	SEALING RING	SS304,SS316+FLEXIBLE GRAPHITE SPIRAL WOUND
12-3	O-RING	VITON
13	THRUST WASHER	PTFE,RPTFE,STAINLESS STEEL+N
15	PACKING	FLEXIBLE GRAPHITE
20	SCREW	1035,STAINLESS STEEL
28	STUFFING BOX	A105+ENP,A182-F6,F304,F316,F304L,F316L,F321,F51,F53,ALLOY-20
28-1	CONNECTING PLATE	1025,A216-WCB,A351-CF8
31	O-RING	VITON
31-1	O-RING	NBR,VITON
35	BOLT	A193-B7,B7M,B8,B8M
35-1	SCREW	PL1035,STAINLESS STEEL
36	ADJUST WASHER	PTFE,1045+RPTFE,STAINLESS STEEL+RPTFE
37	NUT	A194-2H,2HM,8,8M
38	SEAT RING	A105+ENP,A182-F6,F304,F316,F304L,F316L,F321,F51,F53,ALLOY-20
48	PIN	ANSI 1566
53	OIL CUP	1025,SS304
56	BEARING	1045+RPTFE,SS304+RPTFE,SS316+RPTFE
58	GREASE FITTING	1025,SS304,SS316,SS304L,SS316L,SS321,ALLOY-20,F51,F53
62	KEY	1045

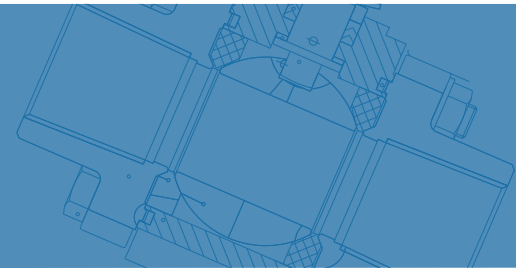


Fig No: MD-67-600 Reduced Bore

ANSI CLASS 600 DIMENSIONS

unit:mm

SIZE	L	L1	L2	E	E1	H	H1	Wt(kg)
8x6" Ⓒ	660.0	664.0	660.0	270.0	300.0	305.0	198.0	198.0
10X6" Ⓓ	787.0	791.0	787.0	270.0	300.0	305.0	198.0	244.0
10X8" Ⓒ	787.0	791.0	787.0	380.0	400.0	365.0	252.0	386.0
12X8" Ⓓ	838.0	841.0	838.0	380.0	400.0	365.0	252.0	420.0
12X10" Ⓒ	838.0	841.0	838.0	430.0	450.0	484.0	299.0	545.0
14X10" Ⓓ	889.0	892.0	889.0	430.0	450.0	484.0	299.0	576.0
16x10" Ⓓ	991.0	994.0	991.0	430.0	450.0	484.0	299.0	648.0
14X12" Ⓒ	889.0	892.0	889.0	430.0	500.0	580.0	343.0	992.0
16X12" Ⓒ	991.0	994.0	991.0	430.0	500.0	580.0	343.0	1072.0
18X12" Ⓓ	1092.0	1095.0	1092.0	430.0	500.0	580.0	343.0	1142.0
16X14" Ⓒ	991.0	994.0	991.0	510.0	500.0	608.0	377.0	1382.0
18X14" Ⓒ	1092.0	1095.0	1092.0	510.0	500.0	608.0	377.0	1405.0
20X14" Ⓓ	1194.0	1200.0	1194.0	510.0	500.0	608.0	377.0	1513.0
18X16" Ⓒ	1092.0	1095.0	1092.0	510.0	500.0	663.0	416.0	1615.0
20X16" Ⓒ	1194.0	1200.0	1194.0	510.0	500.0	663.0	416.0	1692.0

* Ⓓ Reduce Bore Ⓒ Regular Bore

* Modentic Reserves The Rights To Change Any Details Without Prior Notice.