



**Fig No: MD-67-300 Reduced Bore**

**3"x2"~20"x16"**



**Feature:**

Design: API6D, ASME B16.34, API607/ API6FA fire safe design  
 Side entry ball  
 Anti-static design, Anti blow-out-stem  
 Carbon steel or special alloy upon request  
 Cast steel are also supplied in full compliance with NACE MR0175

**Service:**

General, Low Temperature, Cryogenic, Sub sea, Oil & Gas application, High temperature, Underground

**Design:**

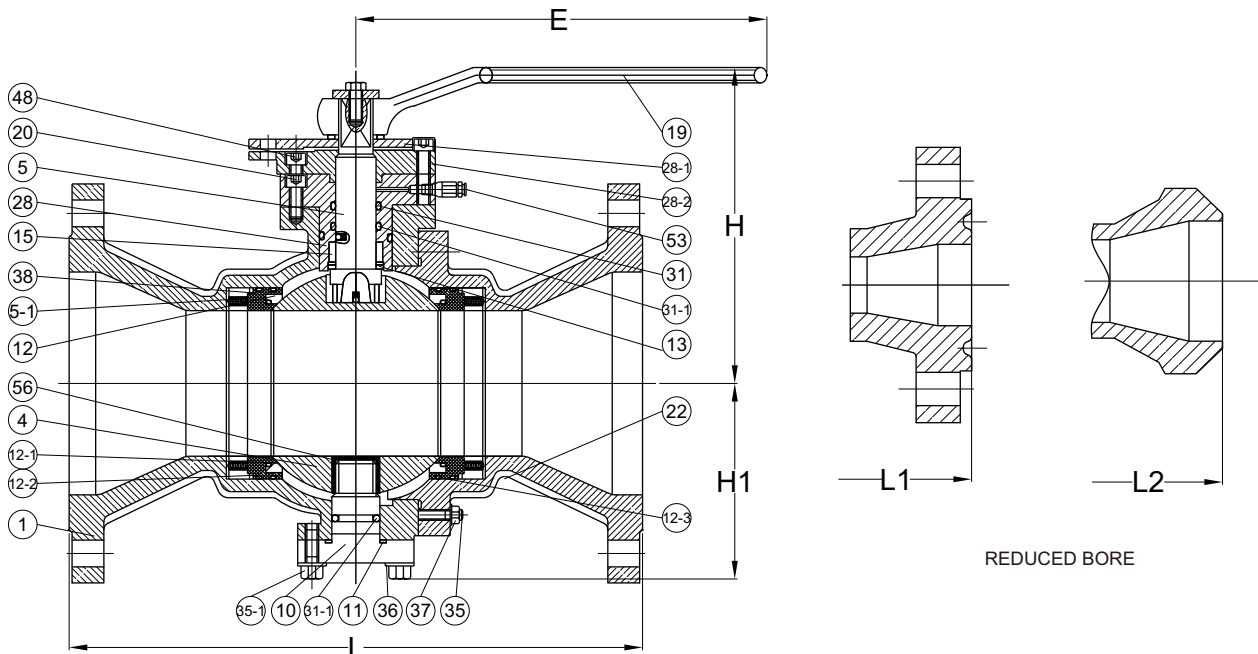
2-pc Design, by casting  
 Reduce Bore  
 Face to face: ASME B16.10  
 Flange connection: ASME B16.5 Class 300 RF ( Above size 26", which would compliance with ASME B16.47 )  
 Pressure-Temperature Rating: ASME/ANSI B16.34  
 Testing and inspection: API6D, API598

- Automatically Drain Plug (NPT) on Body( 2"~4" - option, Upward 6" - Basic function )
- Double bleed and Block( 2"~4" - option, Upward 6" - Basic function )
- Sealant Emergently Injection Fittings( 2"~4" - option, Upward 6" - Basic function )

**Options:**

- With Locking Device
- Extended Stem ( Cryogenic application )
- Actuator installation
- Gear Box

Size: 3" x 2" ~8" x 4"





**Fig No: MD-67-300 Reduced Bore**

**MATERIALS LIST**

NO.	DESCRIPTION	MATERIAL
1	BODY	A216-WCB,WCC,A352-LCB,A351-CF8,CF8M,CF3,CF3M,CN7M,CF8C,CDMCu,CN-3MN
4	BALL	A105+ENP,A182-F6,F304,F316,F304L,F316L,F321,F51,F53,ALLOY-20
5	STEM	1045+ENP,A182-F6,F304,F316,F304L,F316L,F321,F51,F53,ALLOY-20,4140+ENP,17-4PH
5-1	SPRING	SS304,INCONEL,1566+ENP
5-2	TRUNNION	1045+ENP,A182-F6,F304,F316,F304L,F316L,F321,F51,F53,ALLOY-20,4140+ENP,17-4PH
9	CAP	A216-WCB,WCC,A352-LCB,A351-CF8,CF8M,CF3,CF3M,CN7M,CF8C,CD4MCu,CN-3MN
11	GASKET	SS304,SS316+FLEXIBLE GRAPHITE
12	SEAT	PTFE,RPTFE,NYLON,PEEK,PPL,POM, KARBATE,MOLON,DEVLON
12-1	SEALING RING	FLEXIBLE GRAPHITE
12-2	SEALING RING	SS304,SS316+FLEXIBLE GRAPHITE SPIRAL WOUND
12-3	O-RING	VITON
13	THRUST WASHER	PTFE,RPTFE,STAINLESS STEEL+N
15	PACKING	FLEXIBLE GRAPHITE
19	LEVER	A216-WCB+1020
20	SCREW	1035,STAINLESS STEEL
28	STUFFING BOX	A105+ENP,A182-F6,F304,F316,F304L,F316L,F321,F51,F53,ALLOY-20
28-1	LIMITED PLATE	1035,STAINLESS STEEL
28-2	CONNECTING PLATE	1025,A216-WCB,A351-CF8
31	O-RING	VITON
31-1	O-RING	NBR,VITON
31-2	O-RING	NBR,VITON
35	BOLT	A193-B7,B7M,B8,B8M
35-1	SCREW	PL1035,STAINLESS STEEL
36	ADJUST WASHER	PTFE,1045+RPTFE,STAINLESS STEEL+RPTFE
37	NUT	A194-2H,2HM,8,8M
38	SEAT RING	A105+ENP,A182-F6,F304,F316,F304L,F316L,F321,F51,F53,ALLOY-20
48	PIN	ANSI 1566
53	OIL CUP	1025,SS304
56	BEARING	1045+RPTFE,SS304+RPTFE,SS316+RPTFE

**ANSI CLASS 300 DIMENSIONS**

unit:mm

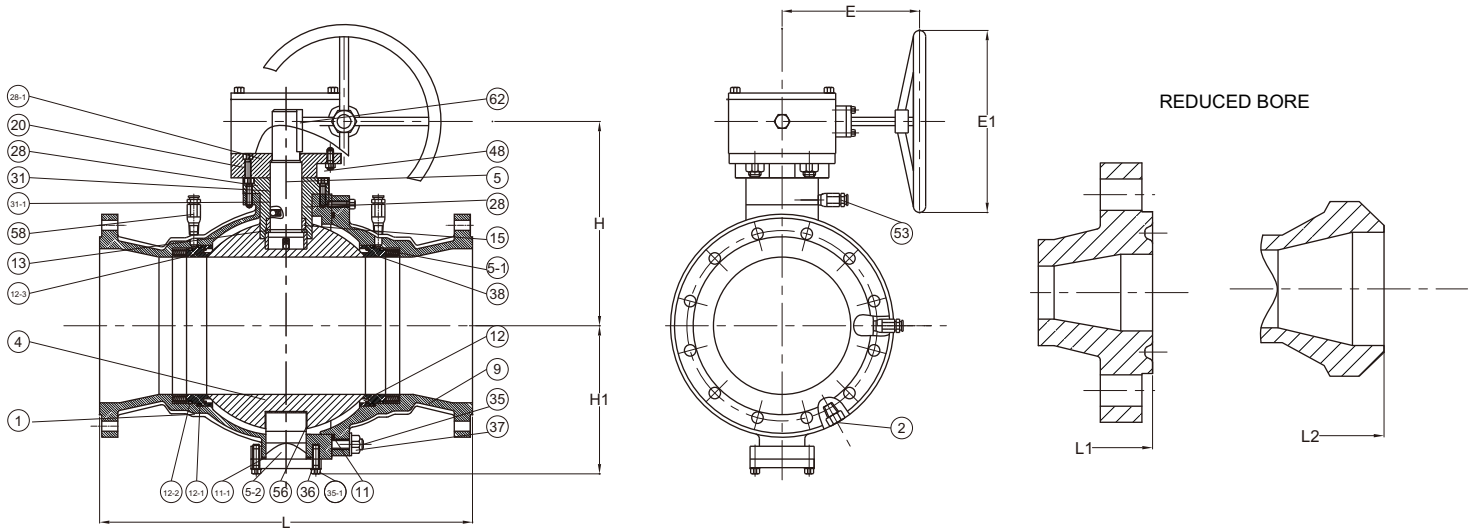
SIZE	L	L1	L2	E	H	H1	Wt (kg)
3x2" (R)	283.0	298.0	283.0	250.0	168.0	95.0	20.0
3x2-1/2" (G)	283.0	298.0	283.0	300.0	175.0	107.0	28.0
4x2-1/2" (R)	305.0	321.0	305.0	300.0	175.0	107.0	34.0
4x3" (G)	305.0	321.0	305.0	350.0	186.0	122.0	44.0
6x3" (R)	403.0	419.0	403.0	350.0	186.0	122.0	52.0
6x4" (G)	403.0	419.0	403.0	450.0	225.0	148.0	65.0
8x4" (R)	502.0	518.0	521.0	450.0	225.0	148.0	82.0

\* (R) Reduce Bore (G) Regular Bore



Fig No: MD-67-300 Reduced Bore

Size: 8" x 6" ~ 20" x 16"



**MATERIALS LIST**

NO.	PART NAME	MATERIAL
1	BODY	A216-WCB,WCC,A352-LCB,A351-CF8,CF8M,CF3,CF3M,CN7M,CF8C,CDMCu,CN-3MN
2	DRAIN VALVE AND PLUG	1025,SS304,SS316,SS304L,SS316L,SS321,F51,F53
4	BALL	A105+ENP,A182-F6,F304,F316,F304L,F316L,F321,F51,F53,ALLOY-20
5	STEM	1045+ENP,A182-F6,F304,F316,F304L,F316L,F321,F51,F53,ALLOY-20,4140+ENP,17-4PH
5-1	SPRING	SS304,INCONEL,1566+ENP
5-2	TRUNNION	1045+ENP,A182-F6,F304,F316,F304L,F316L,F321,F51,F53,ALLOY-20,4140+ENP,17-4PH
9	CAP	A216-WCB,WCC,A352-LCB,A351-CF8,CF8M,CF3,CF3M,CN7M,CF8C,CD4MCu,CN-3MN
11	GASKET	SS304,SS316+FLEXIBLE GRAPHITE
11-1	O-RING	NBR,VITON
12	SEAT	PTFE,RPTFE,NYLON,PEEK,PPL,POM, KARBATE,MOLON,DEVLON
12-1	SEALING RING	FLEXIBLE GRAPHITE
12-2	SEALING RING	SS304,SS316+FLEXIBLE GRAPHITE SPIRAL WOUND
12-3	O-RING	VITON
13	THRUST WASHER	PTFE,RPTFE,STAINLESS STEEL+N
15	PACKING	FLEXIBLE GRAPHITE
20	SCREW	1035,STAINLESS STEEL
28	STUFFING BOX	A105+ENP,A182-F6,F304,F316,F304L,F316L,F321,F51,F53,ALLOY-20
28-1	CONNECTING PLATE	1025,A216-WCB,A351-CF8
31	O-RING	VITON
31-1	O-RING	NBR,VITON
35	BOLT	A193-B7,B7M,B8,B8M
35-1	SCREW	PL1035,STAINLESS STEEL
36	ADJUST WASHER	PTFE,1045+RPTFE,STAINLESS STEEL+RPTFE
37	NUT	A194-2H,2HM,8,8M
38	SEAT RING	A105+ENP,A182-F6,F304,F316,F304L,F316L,F321,F51,F53,ALLOY-20
48	PIN	ANSI 1566
53	OIL CUP	1025,SS304
56	BEARING	1045+RPTFE,SS304+RPTFE,SS316+RPTFE
58	GREASE FITTING	1025,SS304,SS316,SS304L,SS316L,SS321,ALLOY-20,F51,F53
62	KEY	1045

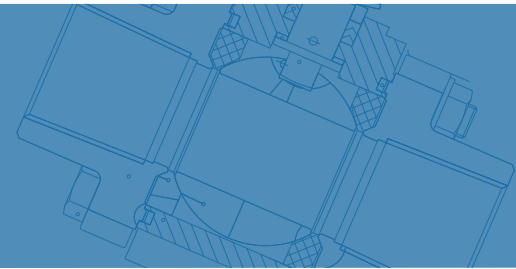


Fig No: MD-67-300 Reduced Bore

**ANSI CLASS 300 DIMENSIONS**

unit:mm

SIZE	L	L1	L2	E	E1	H	H1	Wt(kg)
8x6" Ⓒ	502.0	518.0	521.0	254.0	300.0	285.0	201.0	107.0
10X6" Ⓓ	568.0	584.0	559.0	254.0	300.0	285.0	201.0	127.0
10X8" Ⓒ	568.0	584.0	559.0	270.0	400.0	345.0	232.0	222.0
12X8" Ⓓ	648.0	664.0	635.0	270.0	400.0	345.0	232.0	252.0
12X10" Ⓒ	648.0	664.0	635.0	342.0	400.0	451.0	283.0	381.0
14X10" Ⓓ	762.0	778.0	762.0	342.0	400.0	451.0	283.0	420.0
16x10" Ⓓ	838.0	854.0	838.0	342.0	400.0	451.0	283.0	461.0
14X12" Ⓒ	762.0	778.0	762.0	380.0	400.0	570.0	335.0	547.0
16X12" Ⓒ	838.0	854.0	838.0	380.0	400.0	570.0	335.0	592.0
18X12" Ⓓ	914.0	930.0	914.0	380.0	400.0	570.0	335.0	638.0
16X14" Ⓒ	838.0	854.0	838.0	430.0	450.0	600.0	360.0	760.0
18X14" Ⓒ	914.0	930.0	914.0	430.0	450.0	600.0	360.0	808.0
20X14" Ⓓ	991.0	1010.0	991.0	430.0	450.0	600.0	360.0	884.0
18X16"	914.0	930.0	914.0	510.0	500.0	638.0	398.0	1257.0
20X16"	991.0	1010.0	991.0	510.0	500.0	638.0	398.0	1365.0

\* Ⓓ Reduce Bore Ⓒ Regular Bore

\* Modentic Reserves The Rights To Change Any Details Without Prior Notice.